

## Jig Saw - 0 603 229 039 - PST 52 A

www.powertools-aftersaleservice.com

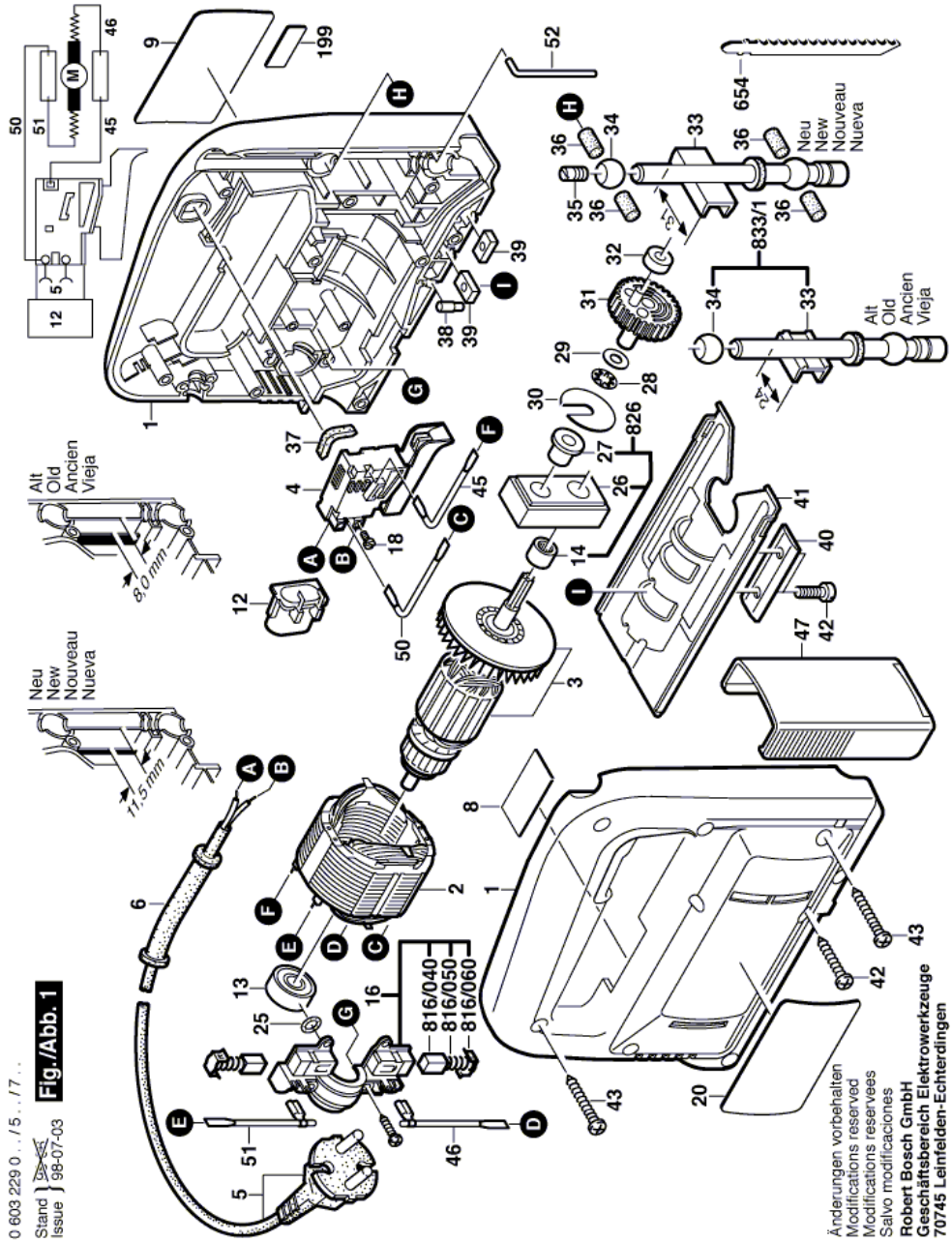


**BOSCH**

Item	Part Number	Description	Illustration	Price	Quantity	Price Group
1	2 605 104 270	Housing Section GREEN	1	-,-	1	31
2	2 604 220 465	Field 115V	1	-,-	1	29
3	2 604 010 735	Armature 115V	1	-,-	1	36
3/50	1 606 610 116	Fan	N/A	-,-	1	14
4	2 607 200 260	Switch	1	-,-	1	23
5	1 604 460 220	Power supply cord SAM 2,68m 2 x 082mm SJ 18/2	1	-,-	1	28
6	2 600 703 008	Grommet Ø8,2 MM	1	-,-	1	11
8	1 601 106 032	Nameplate 26x52 MM	1	-,-	2	13
9	2 601 110 586	Sticker SUNNY SIDE	1	-,-	1	13
13	2 600 905 032	Deep-Groove Ball Bearing 7x19x6	1	-,-	1	17
14	2 600 917 003	Needle bearing Ø8x8 MM	1	-,-	1	14
16	2 604 337 122	Brush Plate	1	-,-	1	31
18	2 603 410 001	Socket head cap screw M3x6,5-4.8	1	-,-	2	11
20	2 601 110 587	Sticker SHADOW SIDE	1	-,-	1	13
25	1 900 210 000	O-Ring 5,0x1,5 MM	1	-,-	1	11
26	2 605 807 918	Bearing Bracket	1	-,-	1	23
27	2 600 322 003	Bushing	1	-,-	1	13
28	2 600 190 040	Spring Washer	1	-,-	1	11
29	2 600 100 505	Shim 0,5 MM	1	-,-	1	11
30	2 600 040 002	Shim 0,6 MM	1	-,-	1	11
30	2 600 040 001	Shim 0,2 MM	1	-,-	1	11
31	2 606 316 900	Eccentric Cog Wheel Z=49	1	-,-	1	22
32	2 600 301 014	Guide Roller	1	-,-	1	12
33	2 600 780 033	Lifting Rod 8,0 MM	1	-,-	1	30
34	2 600 302 008	Sintered-Metal Bushing	1	-,-	1	11
35	2 603 400 000	Clamp Screw	1	-,-	1	12
36	2 603 239 006	Lubricating Felt	1	-,-	4	11
37	2 601 022 000	Damping Plate	1	-,-	1	11
38	2 603 120 037	Detent Pin	1	-,-	1	11
39	2 601 030 006	Fastening Plate	1	-,-	2	11
40	2 602 317 025	Profile Beading	1	-,-	1	11
41	2 601 016 012	Base Plate	1	-,-	1	21
42	2 910 021 122	Socket head cap screw DIN 84-AM4x12-8.8	1	-,-	2	10

Item	Part Number	Description	Illustration	Price	Quantity	Price Group
43	2 603 490 021	Torx Oval-Head Screw 4x12	1	-,-	2	10
44	2 603 490 022	Torx Oval-Head Screw 4x16	N/A	-,-	9	10
45	2 604 448 118	Connecting Cable L=213 MM BLUE	1	-,-	1	11
46	2 604 448 130	Connecting Cable L=88 MM WHITE	1	-,-	1	11
47	2 605 510 052	Covering hood	1	-,-	1	13
50	2 604 448 119	Connecting Cable L=263MM BLUE	1	-,-	1	11
51	2 604 448 123	Connecting Cable L=73 MM WHITE	1	-,-	1	11
52	2 603 105 051	Pin	1	-,-	1	11
207	2 601 035 001	Cable Clip	N/A	-,-	1	11
219	2 603 490 022	Torx Oval-Head Screw 4x16	N/A	-,-	2	10
816/040	2 604 321 905	Carbon-Brush Set	1	-,-	1	23
816/050	2 604 610 026	Compression Spring	1	-,-	2	11
816/060	2 601 322 013	Ratchet Cap	1	-,-	2	11
826	2 605 807 918	Bearing Bracket	1	-,-	1	23
833/1	2 600 780 902	Lifting Rod Ø 8,2 MM	1	-,-	1	28

Illustration - Type E



Information subject to change without further notice.