



BOSCH

Orbital Sander

PSS 28 A | 0 603 285 243

Table of Content

Spare parts list.....	2
Illustration - Type.....	4

Spare parts list

Item	Part Number	Description		
1	2 605 104 542	Housing Section	GREEN	
2	2 604 220 476	Field	220-240V	
3	2 604 011 057	Armature	230-240V	
3/60	2 606 610 062	Fan		
4	2 607 200 260	Switch		
5	1 614 460 072	Power supply cord		
6	2 600 703 007	Grommet	Ø7 MM	
9	2 601 117 754	Manufacturer's nameplate		
12	2 607 329 141	Suppression Capacitor		
13	1 900 905 044	groove ball bearing	7x19x6	
14	1 900 905 041	groove ball bearing	8x22x7	
16	2 609 992 604	Brush Plate		
18	2 603 410 001	Socket head cap screw	M3x6,5-4.8	
19	2 603 490 022	Screw	4x16	
25	2 600 905 068	groove ball bearing	15x32x9	
26	2 600 499 037	Eccentric Disc		
27	2 603 100 050	Round Rubber		
30	2 601 923 007	Tensioning Lever		
31	2 601 099 030	Pressure Bar		
32	1 900 210 000	O-Ring	5,0x1,5 MM	
33	2 603 300 013	Hex Nut	DIN 985-M6-8	
34	2 603 490 018	Torx Oval-Head Screw	3x18	
35	2 603 410 048	Thread-forming tap. Screw	M4x8	
36	2 600 034 004	Sheet metal cover		
37	2 605 702 018	Fitting		
38	2 603 490 020	Torx Oval-Head Screw	4x8	
39	2 606 610 026	Fan		
40	2 916 680 033	Spring Lock Washer	DIN 127-A6-FST	
42	2 604 448 045	Cable	L=98 MM	BLACK
43	2 604 448 118	Connecting Cable	L=213 MM	BLUE
44	2 601 022 000	Damping Plate		
45	2 604 651 008	Coiled Spring		
46	2 600 320 018	Spacer Sleeve		
47	2 601 005 014	Felt Strip		
49	2 604 448 109	Connecting Cable	L=115 MM	WHITE

Spare parts list

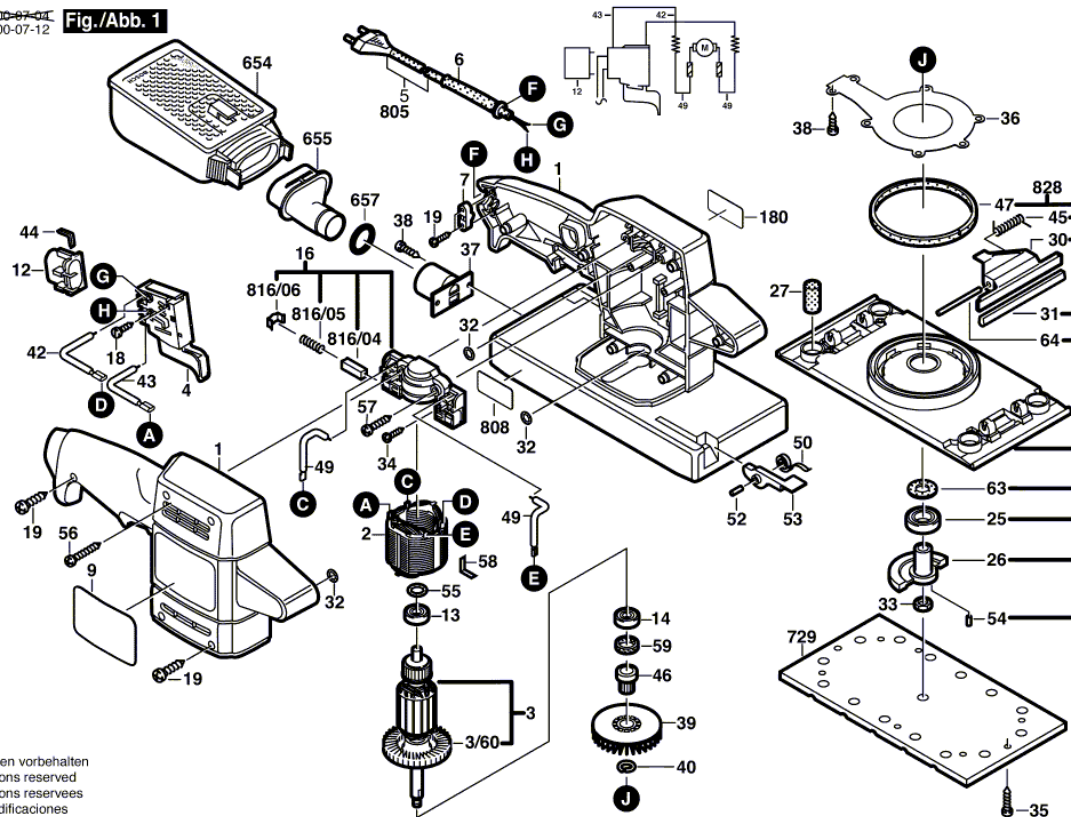
Item	Part Number	Description
50	1 604 652 004	Spiral Spring
52	2 604 681 001	Split Pin
53	2 602 010 000	Control Lever
54	2 603 200 022	Cylindrical Roller
55	2 600 210 042	O-Ring 65,7x1,78 MM
56	2 603 490 024	Torx Oval-Head Screw 4x25
57	2 603 490 023	Torx Oval-Head Screw 4x20
58	2 601 329 057	Contact Spring
59	2 600 290 029	Seal Ring
63	2 600 290 028	Seal Ring
64	2 603 201 085	Straight Pin
180	1 611 110 855	Sticker
654	2 605 411 121	Dust container 1 PIECE
655	2 605 702 035	Fitting
657	1 610 210 075	O-Ring 20,0x1,5 MM
729	2 608 000 106	Sander Plate
808	2 601 116 057	Marking Plate
816/04	2 607 014 001	Carbon-Brush Set
816/05	2 604 610 026	Compression Spring
816/06	2 601 322 013	Ratchet Cap
828	2 608 000 916	Swing-Plate

Illustration - Type - E

0 603 285 203

Stand } 00-07-04
Issue } 00-07-12

Fig./Abb. 1



Änderungen vorbehalten
Modifications reserved
Modifications reserves
Salvo modificaciones