



BOSCH

Cordless Screw Driver

PSR 96 | 0 603 937 643

Table of Content

Spare parts list.....	2
Illustration - Type.....	3

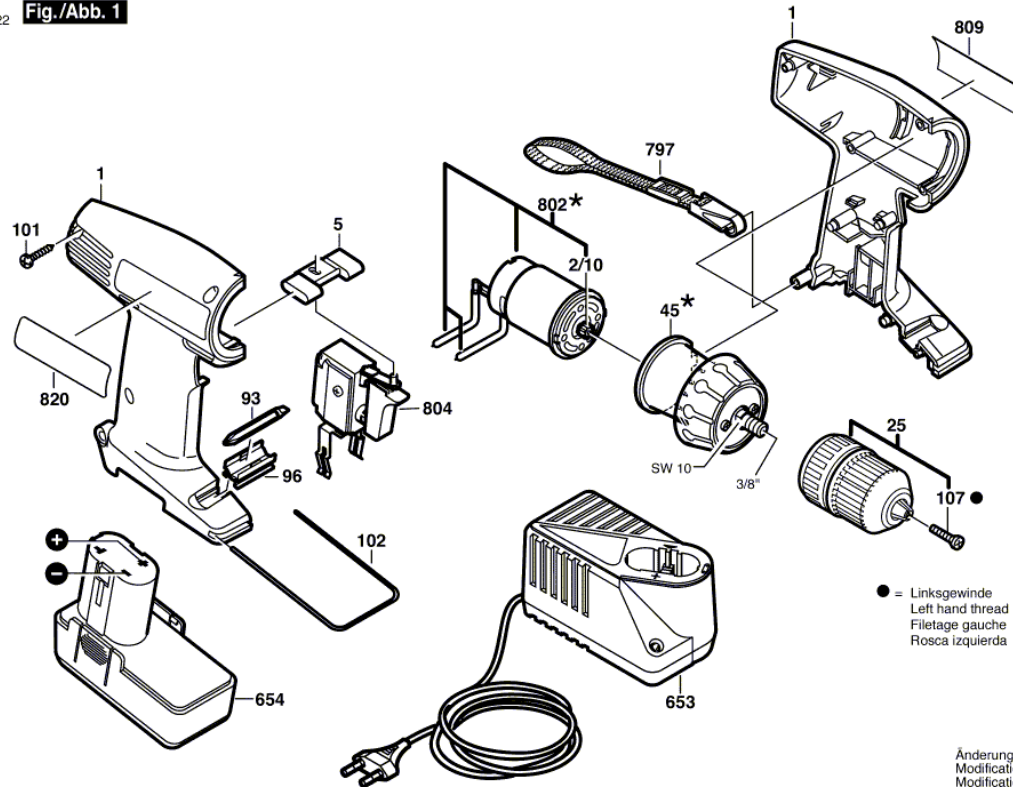
Spare parts list

Item	Part Number	Description	
1	2 605 104 565	Housing Section	GREEN
2/10	2 606 316 164	Pinion	Z=9
5	2 601 099 055	Adjusting Slide	RED
25	2 608 572 200	Keyless Chuck	
45	2 606 200 054	Planetary Gear Train	
93	1 609 200 147	Screwdriver Blade	6 MM
96	2 608 040 079	Support	
101	2 603 490 018	Torx Oval-Head Screw	3x18
102	2 601 329 041	Retaining Bracket	
107	2 609 110 721	Countersunk-Head Screw	M5x20
653	2 607 224 393	Fast Charger	GB 230/7,2-14,4V, 1h
654	2 607 336 143	Slide-In Accu Package	9,6V, 1,5 Ah, NiCd
797	2 601 398 009	Carrying Loop	
802	2 607 022 949	DC motor	9,6V
804	2 607 200 351	On-Off Switch	
809	2 601 117 254	Manufacturer's nameplate	SUNNY SIDE
820	2 601 117 255	Reference Plate	SHADOW SIDE

Illustration - Type - E

0 603 937 665
 Stand } 01-05-22
 Issue }

Fig./Abb. 1



Änderungen vorbehalten
 Modifications reserved
 Modifications reserves
 Salvo modificaciones