

Diy-Drill-Driver - 0 603 932 834 - PSR 9,6 VES-2

www.powertools-aftersaleservice.com

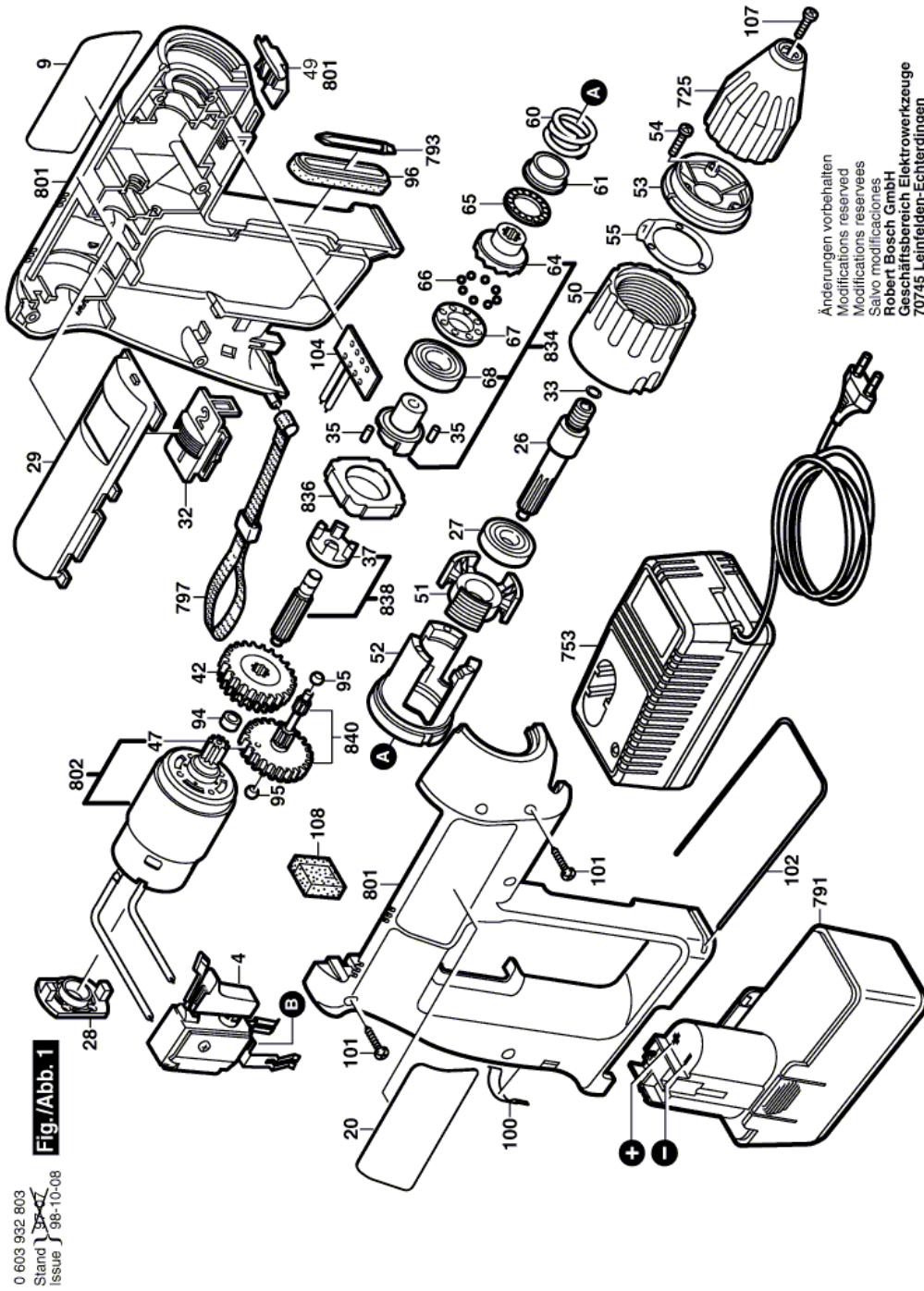


BOSCH

Item	Part Number	Description	Illustration	Price	Quantity	Price Group
4	2 607 200 309	On-Off Switch	1	-,-	1	40
9	2 601 118 417	Manufacturer's nameplate SUNNY SIDE	1	-,-	1	12
20	2 601 118 418	Manufacturer's nameplate SHADOW SIDE	1	-,-	1	12
27	1 900 905 120	groove ball bearing 10x26x8	1	-,-	1	22
26	2 606 309 034	Drilling Spindle 1/2"	1	-,-	1	28
28	2 605 719 006	Adapter	1	-,-	1	11
29	2 605 510 147	Insert Piece BLACK	1	-,-	1	14
32	2 601 099 032	Adjusting Slide	1	-,-	1	13
33	2 604 601 004	Retaining ring	1	-,-	1	11
35	2 602 329 024	Roller Body	1	-,-	2	11
37	2 606 440 002	Carrier	1	-,-	1	14
42	1 609 340 007	Set Of Gears Z=58/67	1	-,-	1	28
47	2 606 316 112	Pinion Z=11	1	-,-	1	16
49	2 605 510 117	Insert Piece BLACK	1	-,-	1	11
50	2 605 190 032	Setting Ring	1	-,-	1	20
51	2 608 005 044	Sliding Piece	1	-,-	1	16
52	2 600 499 027	Guide Sleeve	1	-,-	1	21
53	2 608 005 045	Clamping Sleeve	1	-,-	1	15
54	2 603 490 024	Torx Oval-Head Screw 4x25	1	-,-	3	11
55	2 600 190 056	Locating Washer	1	-,-	1	11
60	2 604 619 004	Compression Spring	1	-,-	1	12
61	2 607 001 126	Changeover Set	1	-,-	1	19
64	2 606 490 047	Coupling Half	1	-,-	1	18
65	2 600 923 001	Ball Cage	1	-,-	1	15
66	1 903 230 007	Ball DIN 5401-4 MM-III-ST	1	-,-	8	11
67	2 606 436 001	Coupling Half	1	-,-	1	17
68	1 900 905 122	groove ball bearing 15x32x9	1	-,-	1	22
94	2 600 301 011	Sintered-Metal Bushing	1	-,-	1	11
95	2 600 302 002	Sintered-Metal Bushing	1	-,-	2	11
96	2 600 290 022	Insert	1	-,-	1	14
100	2 601 322 016	Clamp Spring	1	-,-	1	14
101	2 912 401 420	Tapping Screw DIN7981-ST3,9x19-F-Z	1	-,-	5	10
102	2 601 329 041	Retaining Bracket	1	-,-	1	13

Item	Part Number	Description	Illustration	Price	Quantity	Price Group
104	2 608 018 004	Contact retainer	1	-,-	1	18
107	2 603 421 218	Countersunk-Head Screw M6x38/12(Ø10) LEFTHAND THREADS	1	-,-	1	13
108	2 601 010 057	Dust Protection	1	-,-	1	-
725	2 608 572 053	Keyless Chuck Ø 1,5-10 MM,1/2"	1	-,-	1	-
753	2 607 224 707	Fast Charger USA 120/7,2-14,4V, 30 MIN.	1	-,-	1	48
753	2 607 224 431	Fast Charger USA 120/7,2-24V, 1h	1	-,-	1	48
753	2 607 224 701	Fast Charger EU 230/7,2-14,4V, 30 MIN.	1	-,-	1	46
753	2 607 224 425	Fast Charger EU 230/7,2-24V, 1h	1	-,-	1	46
753	2 607 224 703	Fast Charger GB 230/7,2-14,4V, 30 MIN.	1	-,-	1	48
753	2 607 224 427	Fast Charger GB 230/7,2-24V, 1h	1	-,-	1	47
753	2 607 224 705	Fast Charger AUS 240/7,2-14,4V, 30 MIN.	1	-,-	1	48
753	2 607 224 443	Fast Charger AUS 240/7,2-14,4V, 1h	1	-,-	1	44
791	2 607 336 143	Slide-In Accu Package 9,6V, 1,5 Ah, NiCd	1	-,-	1	42
793	1 609 200 147	Screwdriver Blade 6 MM	1	-,-	1	14
797	2 601 398 009	Carrying Loop	1	-,-	1	-
801	2 605 104 852	Housing Section GREEN	1	-,-	1	27
802	2 607 022 910	DC motor 12V	1	-,-	1	33
834	2 602 210 902	Eccentric	1	-,-	1	31
836	2 600 202 025	Ring	1	-,-	1	18
838	2 606 309 918	Splined Shaft	1	-,-	1	22
840	1 609 340 005	Toothed Shaft Z=10/19/81	1	-,-	1	29
899	0 603 932 827	. BATTERY WITHOUT CHARGER	N/A	-,-	1	-

Illustration - Type E



Information subject to change without further notice.