

Cordless Screw Driver - 0 603 936 534 - PSR 12 VES...

www.powertools-aftersaleservice.com



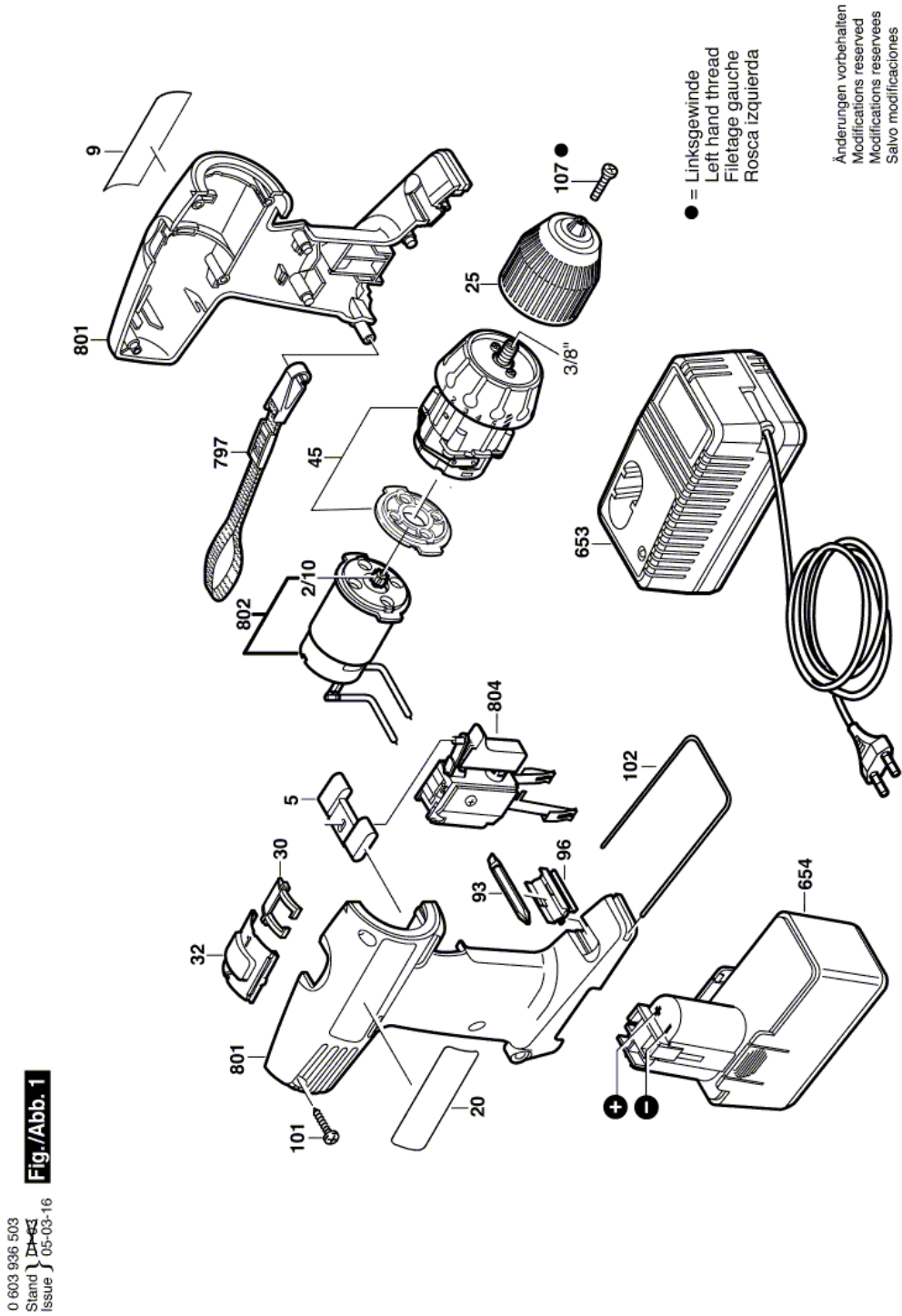
BOSCH

Item	Part Number	Description	Illustration	Price	Quantity	Price Group
2/10	2 606 316 161	Pinion Z=12	1	-,-	1	15
5	2 601 099 055	Adjusting Slide RED	1	-,-	1	15
9	2 601 118 833	Manufacturer's nameplate SUNNY SIDE	1	-,-	1	13
20	2 601 118 834	Reference Plate SHADOW SIDE	1	-,-	1	13
25	2 608 572 214	Keyless Chuck	1	-,-	1	38
30	2 602 033 008	Control Lever	1	-,-	1	13
32	2 601 099 060	Adjusting Slide BLACK	1	-,-	1	11
45	2 606 200 047	Planetary Gear Train	1	-,-	1	36
93	1 609 200 147	Screwdriver Blade 6 MM	1	-,-	1	14
96	2 608 040 079	Support	1	-,-	1	11
101	2 603 490 018	Torx Oval-Head Screw 3x18	1	-,-	6	10
102	2 601 329 041	Retaining Bracket	1	-,-	1	11
107	2 609 110 721	Countersunk-Head Screw M5x20	1	-,-	1	11
653	2 607 224 431	Fast Charger USA 120/7,2-24V, 1h	1	-,-	1	48
654	2 607 335 054	Slide-In Accu Package 12V,1,4Ah,NiCd	1	-,-	1	43
797	2 601 398 009	Carrying Loop	1	-,-	1	-
801	2 605 104 511	Housing Section GREEN	1	-,-	1	24
802	2 607 022 941	DC motor 7,2-12V	1	-,-	1	32
804	2 607 200 353	On-Off Switch	1	-,-	1	39
899	0 603 936 520	Cordless Screw Driver BATTERY WITHOUT CHARGER	N/A	-,-	1	-

Product information Cordless Screw Driver - 0 603 936 534 - PSR 12 VES-2

Product No	0 603 936 534
Description	251.178; Cordless Screw Driver
DIN-Text	
ID_Text_Ext	0
Trading_Description	PSR 12 VES-2
Voltage_1	12 V
ID_Country_Product	USA

Illustration - Type E



Information subject to change without further notice.