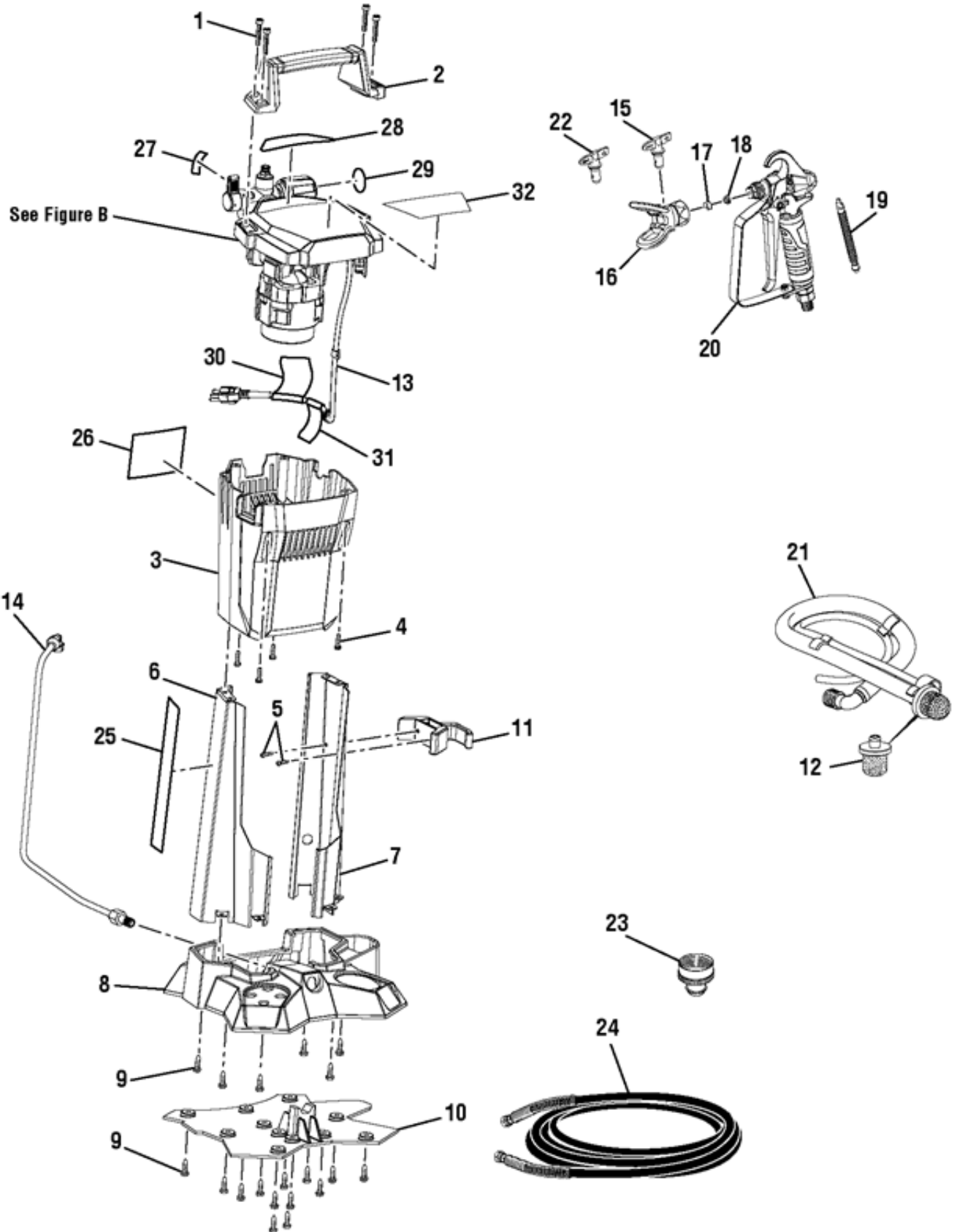
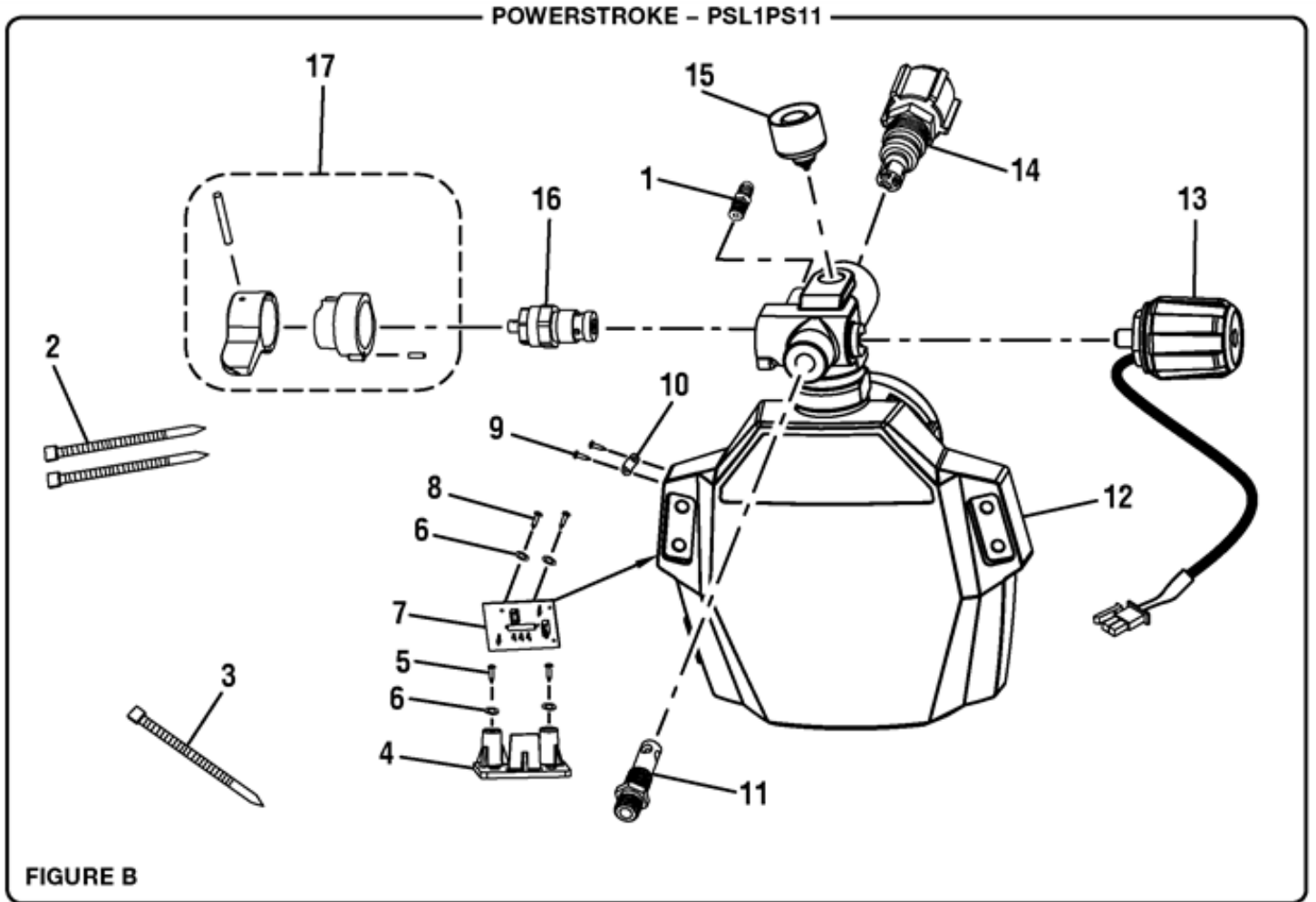


# POWERSTROKE - PSL1PS11

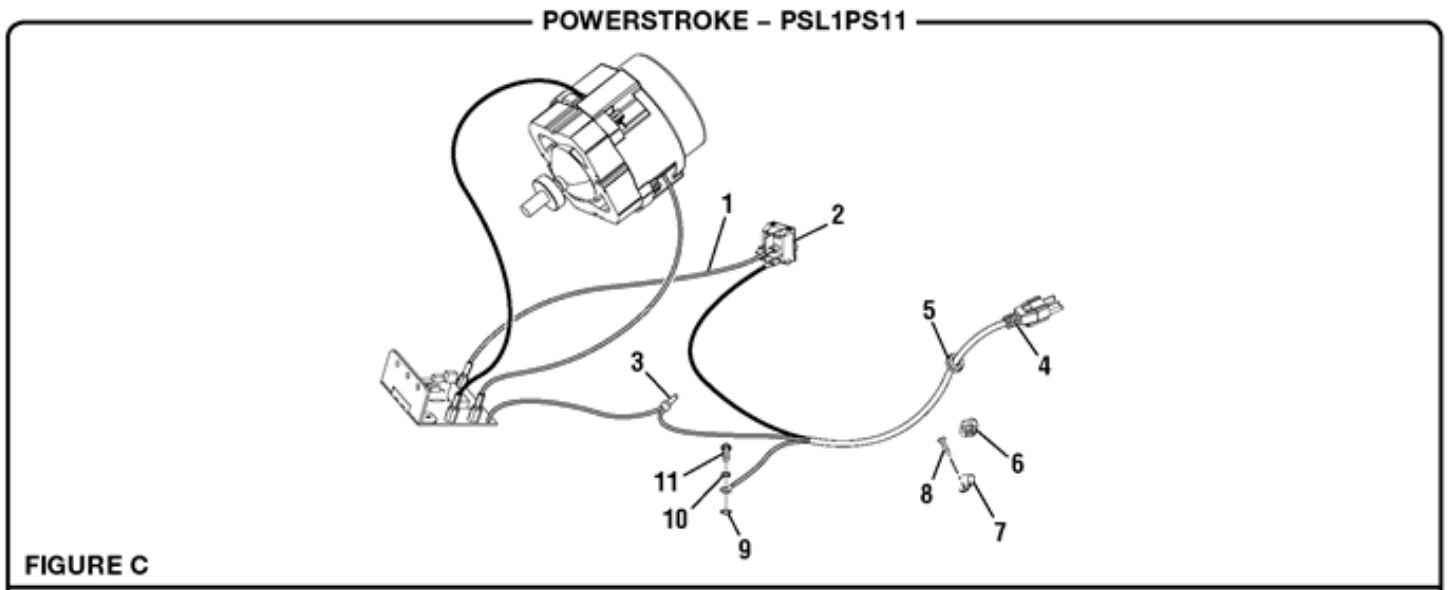


**FIGURE A**

| Ref # | Part #       | Description  | Qty | Context Note | Foot Note |
|-------|--------------|--|-----|--------------|-----------|
| 1     | 039601001001 | Screw (M6 x 35 mm)                                 | 4   |              |           |
| 2     | 039601001002 | Handle   | 1   |              |           |
| 3     | 036901003123 | Motor Housing                                      | 1   |              |           |
| 4     | 039747001021 | Screw (M5 x 14 mm)                                 | 4   |              |           |
| 5     | 039601001004 | Screw (4.8 x 19 mm)                                | 2   |              |           |
| 6     | 039601003005 | Frame (Left)                                       | 1   |              |           |
| 7     | 039601003006 | Frame (Right)                                      | 1   |              |           |
| 8     | 039601001007 | Base   | 1   |              |           |
| 9     | 039601001008 | Screw (6.3 x 22 mm)                                | 19  |              |           |
| 10    | 039601001009 | Base Cover   | 1   |              |           |
| 11    | 039601003010 | Wrench Storage                                     | 1   |              |           |
| 12    | 039747001042 | Filter   | 1   |              |           |
| 13    | 039601001061 | Power Cord Assembly                                | 1   |              |           |
| 14    | 039601001062 | Paint Tube Assembly                                | 1   |              |           |
| 15    | 039748005098 | 311 Tip  | 1   |              |           |
| 16    | 039747001187 | Tip Guard Assembly                                 | 1   |              |           |
| 17    | 039747001184 | Tip Saddle   | 1   |              |           |
| 18    | 039747001185 | Tip Seal   | 1   |              |           |
| 19    | 039747001191 | Filter   | 1   |              |           |
| 20    | 039601003041 | Pistol-Grip Sprayer Assembly (Inc. Key Nos. 16-19) | 1   |              |           |
| 21    | 039601001063 | Intake Tube Assembly (Inc. Key No. 12)             | 1   |              |           |
| 22    | 039747001178 | 515 Tip  | 1   |              |           |
| 23    | 039601001051 | Garden Hose Adapter                                | 1   |              |           |
| 24    | 039747001080 | High Pressure Hose                                 | 1   |              |           |
| 25    | 039601003003 | Quick Start Label                                  | 1   |              |           |
| 26    | 039601003106 | Warning Label (English)                            | 1   |              |           |
| 27    | 039601003103 | Prime/Spray Label                                  | 1   |              |           |
| 28    | 039601003002 | Data Label   | 1   |              |           |
| 29    | 039601003001 | Pump Regulator Label                               | 1   |              |           |
| 30    | 039601003108 | Warning Label (French/Spanish)                     | 1   |              |           |
| 31    | 039601003104 | Danger Label                                       | 1   |              |           |
| 32    | 039601003004 | Logo Label   | 1   |              |           |
|       | 039601001040 | Wrench   | 1   | Not Shown    |           |
|       | 988000888    | Operator's Manual (039601003121)                   |     | Not Shown    |           |



| <b>Ref #</b> | <b>Part #</b> | <b>Description</b>             | <b>Qty</b> | <b>Context Note</b> | <b>Foot Note</b> |
|--------------|---------------|--------------------------------|------------|---------------------|------------------|
| 1            | 039747001051  | Paint Return Adaptor           | 1          |                     |                  |
| 2            | 039601001027  | Plastic Tie (A)                | 2          |                     |                  |
| 3            | 039601001026  | Plastic Tie (B)                | 1          |                     |                  |
| 4            | 039748001016  | Circuit Board Support          | 1          |                     |                  |
| 5            | 039748001017  | Screw (M4 x 10 mm)             | 2          |                     |                  |
| 6            | 039601001053  | Lock Washer (M6.5)             | 4          |                     |                  |
| 7            | 039601001052  | Circuit Board Assembly         | 1          |                     |                  |
| 8            | 039748001014  | Screw (M3.5 x 13 mm)           | 2          |                     |                  |
| 9            | 039748001013  | Screw (M4 x 20 mm)             | 2          |                     |                  |
| 10           | 039747001123  | Cord Clamp                     | 1          |                     |                  |
| 11           | 039747001156  | Outlet Valve Assembly          | 1          |                     |                  |
| 12           | 039601003060  | Pump Assembly                  | 1          |                     |                  |
| 13           | 039601003066  | Pressure Regulator Assembly    | 1          |                     |                  |
| 14           | 039748001150  | Inlet Valve Assembly           | 1          |                     |                  |
| 15           | 039601001065  | Inlet Valve Release Button     | 1          |                     |                  |
| 16           | 039748001113  | Pressure Relief Valve Assembly | 1          |                     |                  |
| 17           | 039601003064  | Pressure Relief Lever Assembly | 1          |                     |                  |



| <b>Ref #</b> | <b>Part #</b> | <b>Description</b>    | <b>Qty</b> | <b>Context Note</b> | <b>Foot Note</b> |
|--------------|---------------|-----------------------|------------|---------------------|------------------|
| 1            | 039601001030  | Lead w/Terminal       | 1          |                     |                  |
| 2            | 039747001087  | On/Off Switch         | 1          |                     |                  |
| 3            | 039748001081  | Wire Connector        | 1          |                     |                  |
| 4            | 039747001081  | Power Cord            | 1          |                     |                  |
| 5            | 039748001030  | Bend Relief           | 1          |                     |                  |
| 6            | 039748001083  | Strain Relief         | 1          |                     |                  |
| 7            | 039601001031  | Cord Clamp            | 1          |                     |                  |
| 8            | 039601001032  | Screw (M3.5 x 6.5 mm) | 1          |                     |                  |
| 9            | 039601001033  | Star Washer (M8)      | 1          |                     |                  |
| 10           | 039601001034  | Washer (M6.5)         | 1          |                     |                  |
| 11           | 039601001035  | Screw (M4 x 10 mm)    | 1          |                     |                  |