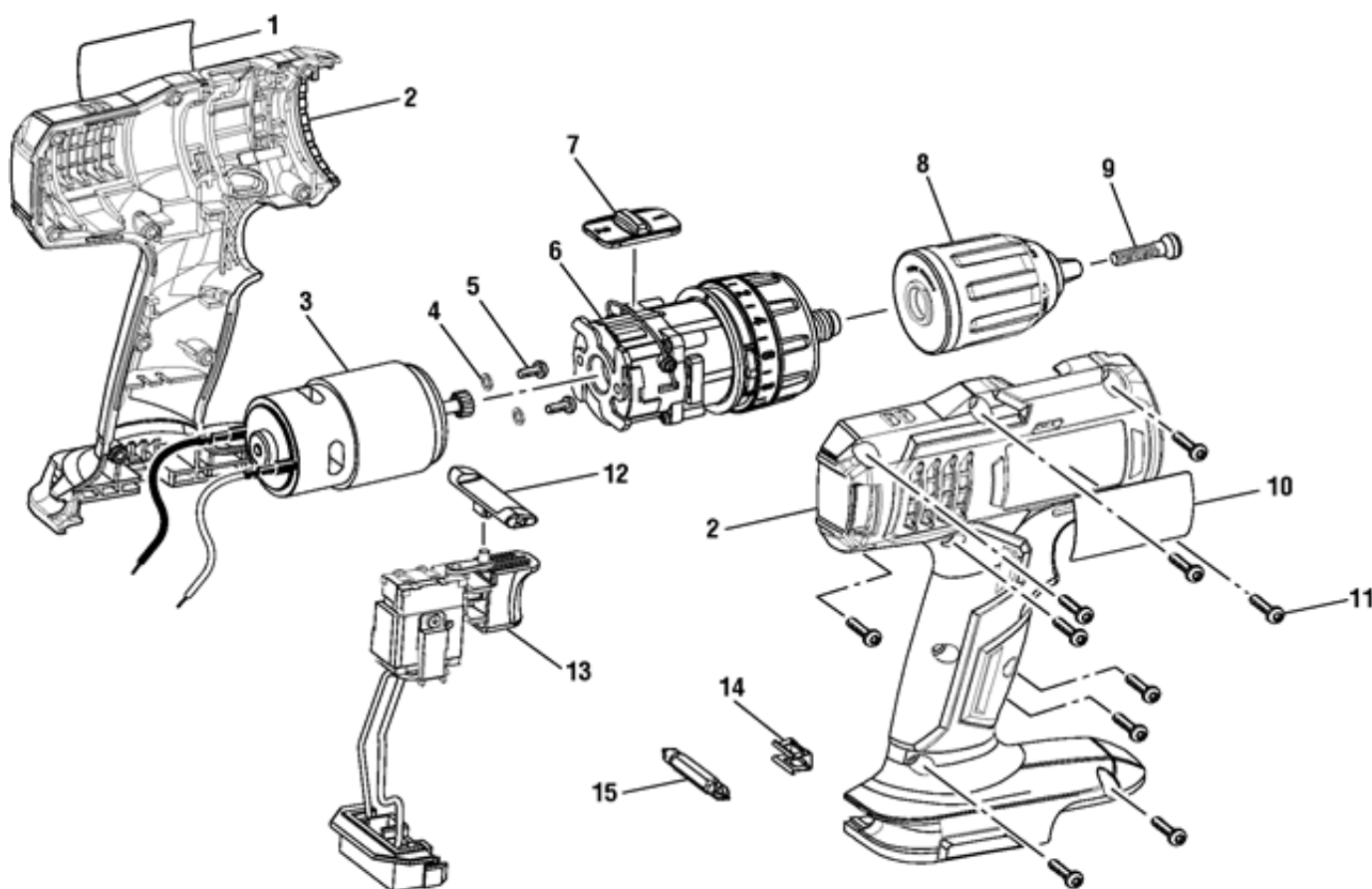


**POWERSTROKE DRILL-DRIVER – MODEL NO. PSL0DD181**

The model number will be found on a label attached to the motor housing. Always mention the model number in all correspondence regarding your **DRILL-DRIVER** or when ordering replacement parts.



<b>Ref #</b>	<b>Part #</b>	<b>Description</b>	<b>Qty</b>	<b>Context Note</b>	<b>Foot Note</b>
1	941002016	Logo Plate	1		
2	201469019	Housing Assembly	1		
3	230313001	Motor Assembly	1		
4	670030004	Spring Washer	2		
5	660212005	Screw (M4 x 8 mm, Pan Hd.)	2		
6	201582002	Gear Box and Clutch Cap Assembly	1		
7	520445002	Two-Speed Gear Selector	1		
8	670763001	Chuck (1/2 in.)	1		
9	6613402	Screw (M6 x 27 mm, Left Hand Threads)	1		
10	941004011	Data Plate	1		
11	660024032	Screw (M4 x 14 mm, Pan Hd.)	10		
12	520441002	Direction of Rotation Selector	1		
13	270013044	Switch Assembly	1		
14	630206007	Bit Clip	1		
15	670820066	Double-Ended Bit	1		
	902048015	Tool Bag	1	Not Shown	
	990000026	Operator's Manual (Li-ion Battery Pack, 961067979)	1	Not Shown	
	990000031	Operators Manual (Charger, 961067984)	1	Not Shown	
	990000002	Operator's Manual (961067985)	1	Not Shown	