



BOSCH

Combi 2-Sp.Impact Drill-E

PSB 550 | 0 603 169 043

Table of Content

Spare parts list.....	2
Illustration - Type.....	4

Spare parts list

Item	Part Number	Description		
1	2 605 104 540	Housing Section	GREEN	
2	2 604 220 562	Field	220-240V	
3	2 604 011 085	Armature	230V	
3/50	2 606 610 029	Fan		
4	2 607 200 260	Switch		
5	1 614 460 072	Power supply cord		
6	2 600 707 059	Grommet	Ø6,9 MM	
7	2 601 035 001	Cable Clip		
9	2 609 130 299	Manufacturer's nameplate		
12	2 607 329 114	Suppression Filter		
13	2 600 905 032	Ball Bearing	7x19x6	
14	2 600 914 019	Needle bearing		
16	2 609 992 618	Brush Plate		
18	2 603 410 001	Socket head cap screw	M3x6,5-4.8	
19	2 910 611 019	Tapping Screw	DIN 7981-ST3,9x16-C-H	
20	2 609 130 300	Reference Plate		
27	2 910 611 007	Tapping Screw	DIN 7981-B2,9x16-C-H	
29	2 601 022 000	Damping Plate		
30	2 609 110 126	Drilling Spindle		
31	2 600 100 692	Shim	0,2 MM	
32	2 604 617 006	Compression Spring		
33	2 600 301 028	Sintered-Metal Bushing		
34	2 606 320 060	Cylindrical Gear		
35	1 903 230 010	Ball	DIN 5401-5,5MM-III-ST	
36	2 601 990 001	Indexing Disk	BLACK	
37	2 601 074 003	Pressure Plate		
38	2 609 110 369	Bearing Bracket		
41	2 600 100 066	Plain Washer		
45	2 600 209 012	Spacer Ring		
47	1 900 210 000	O-Ring	5,0x1,5 MM	
48	2 601 005 011	Felt Strip		
49	2 604 448 136	Connecting Cable	L=133 MM	WHITE
50	2 604 448 129	Connecting Cable	L=83 MM	BLACK
51	2 604 448 123	Connecting Cable	L=73 MM	WHITE
52	2 604 448 130	Connecting Cable	L=88 MM	WHITE

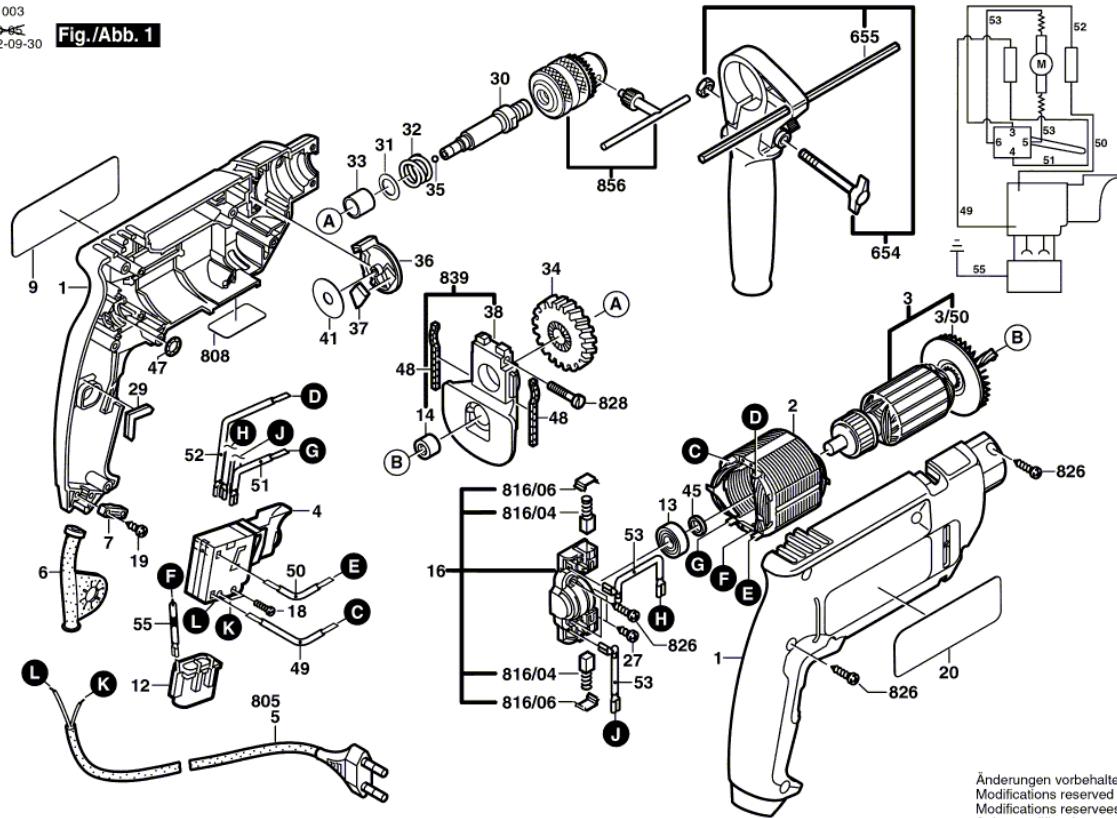
Spare parts list

Item	Part Number	Description
53	2 604 448 115	Connecting Cable L=73 MM WHITE
55	2 604 448 103	Earth Conductor
654	2 602 025 094	Auxiliary Handle
655	2 609 005 615	Depth-Gauge
808	1 601 11A 3H3	Nameplate
816/04	2 604 321 905	Carbon-Brush Set
816/06	2 601 322 017	Ratchet Cap
826	2 912 401 020	Tapping Screw DIN 7981-3,9x19-C-Z-ST
828	2 910 021 134	Socket head cap screw DIN 84-BM4x30-8.8
839	2 609 110 370	Bushing
856	2 608 571 076	Chuck

Illustration - Type - E

0 603 169 003
 Stand 02-09-30
 Issue 02-09-30

Fig./Abb. 1



Änderungen vorbehalten
 Modifications reserved
 Modificaciones reservées
 Salvo modificaciones