

## Reciprocating saw - 3 603 CA7 001 - PSA 7100 E

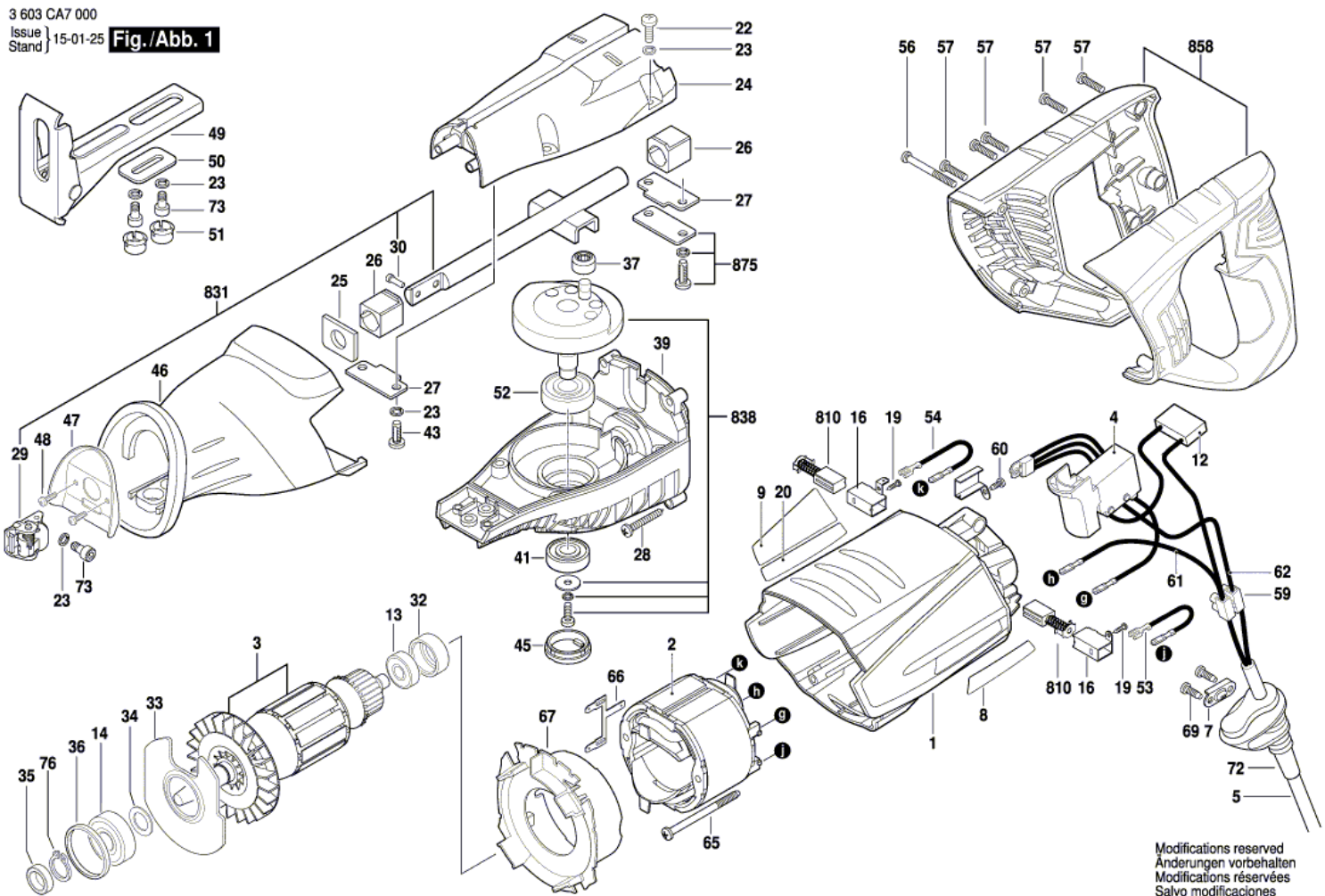
[www.powertools-aftersaleservice.com](http://www.powertools-aftersaleservice.com)



**BOSCH**

Item	Part Number	Description	Illustration	Price	Quantity	Price Group
1	1 619 PA3 959	Housing	1	-,-	1	26
2	1 619 PA3 960	Field 230V	1	-,-	1	28
3	1 619 PA3 961	Armature 230V	1	-,-	1	34
4	1 619 PA3 962	Switch	1	-,-	1	28
5	1 619 PA3 963	Power supply cord EU 230V	1	-,-	1	23
7	2 610 956 868	Cable Clip	1	-,-	1	10
8	1 619 PA8 073	Nameplate	1	-,-	1	13
9	1 619 PA3 971	Bosch Label BOSCH	1	-,-	1	13
12	1 619 PA1 318	Suppression Capacitor	1	-,-	1	17
13	1 619 PA3 973	groove ball bearing	1	-,-	1	15
14	1 619 PA3 974	groove ball bearing	1	-,-	1	15
16	1 619 PA3 975	Brush Holder	1	-,-	2	10
19	1 619 PA3 976	Tapping Screw	1	-,-	4	10
20	1 619 PA8 085	Manufacturer's nameplate PSA 7100 E	1	-,-	1	13
22	2 610 956 894	Thread-Forming Screw	1	-,-	6	10
23	1 619 P04 820	Spring Washer	1	-,-	9	10
24	1 619 PA3 978	Gear Cover	1	-,-	1	23
25	1 619 PA3 979	Felt Seal	1	-,-	1	10
26	2 610 956 896	Bushing	1	-,-	2	19
27	1 619 PA3 980	Sealing Plate	1	-,-	2	10
28	2 610 956 899	Self-Cutting Screw	1	-,-	4	11
29	1 619 PA4 168	Blade Holder	1	-,-	1	27
30	1 619 P04 839	Pin	1	-,-	1	10
32	1 619 PA3 983	Bearing Holder	1	-,-	1	10
33	1 619 PA3 984	Sealing Plate	1	-,-	1	15
34	1 619 PA3 985	Washer	1	-,-	1	10
35	1 619 PA3 986	Bushing	1	-,-	1	10
36	1 619 PA3 987	Rubber Ring	1	-,-	1	12
37	1 619 P04 823	Needle-Roller Bearing	1	-,-	1	22
39	1 619 PA3 989	Gear Cover	1	-,-	1	30
41	1 619 PA3 990	groove ball bearing	1	-,-	1	16
43	1 619 PA3 992	Thread-Forming Screw	1	-,-	2	10
45	1 619 PA3 994	Cover	1	-,-	1	11

Item	Part Number	Description	Illustration	Price	Quantity	Price Group
46	1 619 PA3 995	Insulating Sleeve	1	-,-	1	27
47	1 619 PA3 996	Sealing Plate	1	-,-	1	10
48	1 619 P04 827	Thread-Forming Screw	1	-,-	4	10
49	2 610 956 898	Supporting foot	1	-,-	1	24
50	1 619 P04 828	Clamp	1	-,-	1	13
51	2 610 956 900	Cover	1	-,-	2	12
52	1 619 PA9 518	groove ball bearing	1	-,-	1	15
53	1 619 PA3 997	Connecting Cable	1	-,-	1	10
54	1 619 PA3 998	Connecting Cable	1	-,-	1	10
56	2 610 956 864	Tapping Screw	1	-,-	2	12
57	2 610 956 865	Tapping Screw	1	-,-	4	12
59	2 610 956 870	Terminal Block	1	-,-	1	13
60	2 610 956 869	Screw	1	-,-	1	10
61	1 619 PA4 000	Connecting Cable	1	-,-	1	10
62	1 619 PA4 001	Connecting Cable	1	-,-	1	10
65	1 619 PA4 002	Tapping Screw	1	-,-	2	10
66	1 619 PA4 003	Blade terminal	1	-,-	1	10
67	1 619 PA4 004	Air-Deflector Ring	1	-,-	1	15
69	1 619 PA4 005	Tapping Screw	1	-,-	2	10
72	1 619 PA1 319	Cord guard	1	-,-	1	12
73	1 619 PA1 331	Hex Socket Head Cap Screw	1	-,-	3	14
76	1 619 PA4 007	Clip	1	-,-	1	10
77	1 619 PA4 008	Washer	N/A	-,-	1	10
810	1 619 PA4 010	Carbon-Brush Set	1	-,-	1	19
831	1 619 PA4 011	Spindle Assembly	1	-,-	1	28
838	1 619 PA4 012	Bevel Gear	1	-,-	1	30
858	1 619 PA4 013	Set Of Handles	1	-,-	1	27
875	1 619 PA4 014	Plate	1	-,-	1	14



Information subject to change without further notice.