

Impact Wrench - 3 601 JE0 110 - PS82

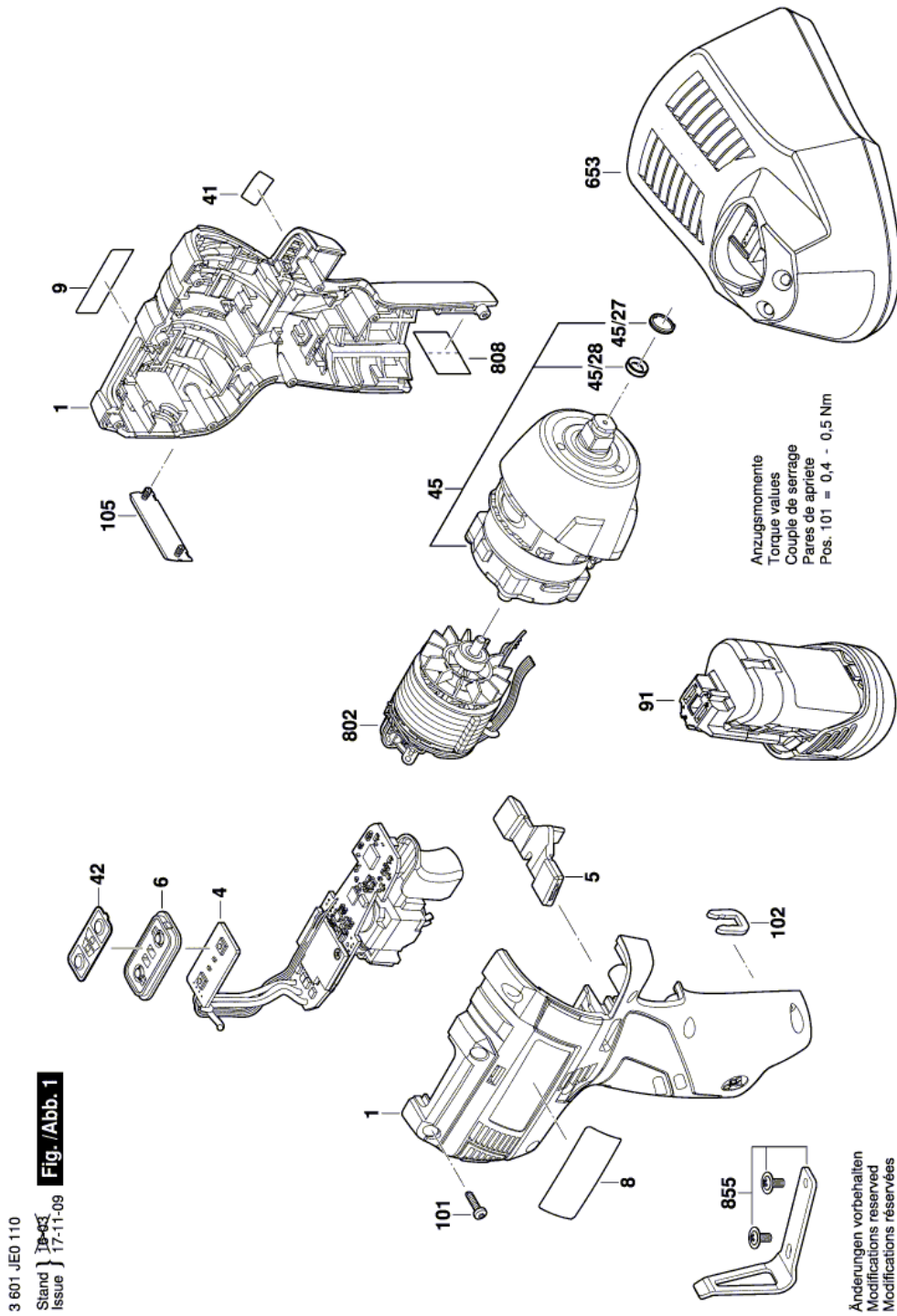
www.powertools-aftersaleservice.com



BOSCH

Item	Part Number	Description	Illustration	Price	Quantity	Price Group
1	2 609 101 235	Housing	1	-,-	1	28
4	1 607 233 581	Electronics Module	1	-,-	1	44
5	2 609 101 236	Adjusting lever	1	-,-	1	10
6	2 609 101 237	Button	1	-,-	1	10
8	2 609 135 938	Warning Plate	1	-,-	1	13
9	2 609 136 080	Manufacturer's nameplate Lithium-ion 12V	1	-,-	1	13
41	2 609 134 168	Sticker	1	-,-	1	13
42	2 609 134 169	Sticker	1	-,-	1	13
45	2 609 199 731	Gear Box	1	-,-	1	44
45/27	2 609 111 678	Metal Ring	1	-,-	1	10
45/28	2 609 170 227	O-Ring	1	-,-	1	10
91	1 607 A35 0C8	Battery Pack BAT 414 10,8/12V 2,0Ah	1	-,-	1	-
91	2 607 337 237	Battery Pack BAT 415 10,8V/12V 2,5AH	1	-,-	1	45
101	2 609 110 883	Screw	1	-,-	10	10
102	2 609 110 537	Clip	1	-,-	1	11
105	2 609 101 394	Color clip	1	-,-	1	11
653	2 607 225 519	Fast Charger USA 120/3,6-10,8V,1h	1	-,-	1	39
653	2 607 225 139	Fast Charger USA/CAN 120/10,8-12V/30 MIN.	1	-,-	1	40
802	2 609 199 661	Brushless DC motor	1	-,-	1	39
808	2 609 135 588	Nameplate	1	-,-	1	13
855	2 609 199 986	Clip	1	-,-	1	16

Illustration - Type E



Information subject to change without further notice.