

RYOBI GENERATOR – MODEL NUMBER PS6500

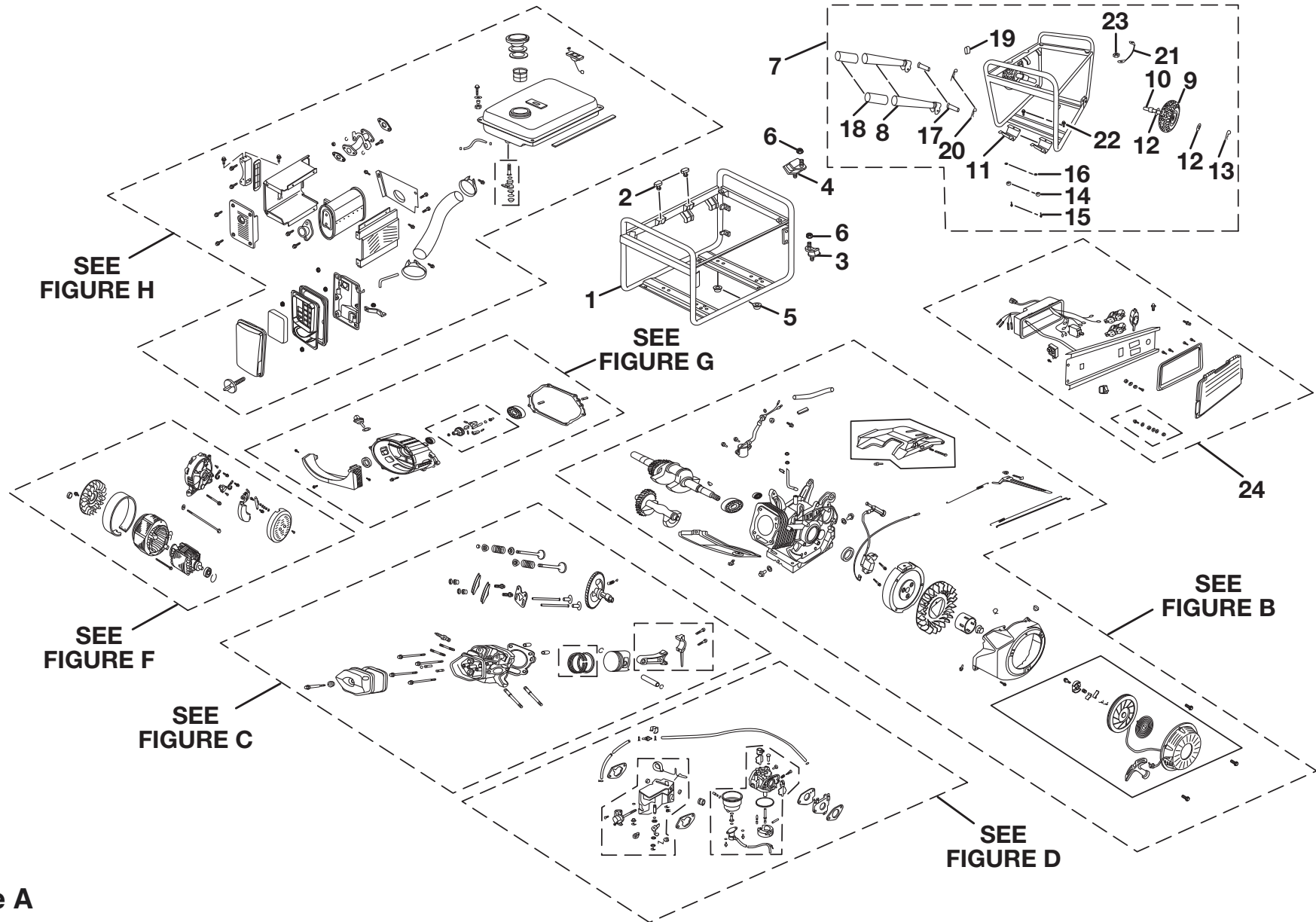


Figure A

## RYOBI GENERATOR – MODEL NUMBER PS6500

The model number will be found on a plate attached to the motor housing. Always mention the model number in all correspondence regarding your **GENERATOR** or when ordering repair parts.

### PARTS LIST (FIGURE A)

KEY NO.	PART NUMBER	DESCRIPTION	QTY
1	15100-L211	FRAME KIT .....	1
2	15001-L209	FUEL TANK MOUNTING RUBBER .....	2
3	15002-L209	BOTTOM RUBBER (L) .....	2
4	15003-L209	BOTTOM RUBBER (R) .....	2
5	GB6172M10	NUT (M10) .....	4
6	GB6172M8	NUT (M8) .....	4
7	10130-L209	WHEEL AND HANDLE ASSEMBLY (INC. KEY NOS. 8-23) .....	1
8	10131-L204	HANDLE .....	2
9	10135-L211	WHEEL .....	2
10	10136-L211	AXLE OF WHEEL .....	2
11	10134-L204	SUPPORTER .....	2
12	10142-L211	FLAT WASHER .....	4
13	10141-L211	CLIP FOR AXLE .....	4
14	10143-L211	RUBBER FOOT BUMPER .....	2
15	GBT5789M6X14	BOLT (M6 X 14 mm) .....	2
16	GBT6177.1M6	NUT (M6) .....	2
17	10137-L211	HANDLEBAR PIN .....	2
18	10138-L211	RUBBER HANDLE GRIP .....	2
19	10139-L211	PLASITIC BUMPER .....	2
20	10140-L211	R-CLIP FOR PIN .....	2
21	10209-L204	INSULATION JUMPER WIRE .....	1
22	GBT5789M8X14	BOLT (M8 X 14 mm) .....	2
23	GBT6177.1M8	NUT (M8) .....	1
24	11000-L211	CONTROL PANEL ASSEMBLY (SEE FIGURE E) .....	1
25	986104	CHOKE LABEL (NOT SHOWN) .....	1
26	986105	HOT MUFFLER LABEL (NOT SHOWN) .....	1
27	986109	FUEL VALVE LABEL (NOT SHOWN) .....	1
28	986260	STEPS (NOT SHOWN) .....	1

**WARNING: Improper repair of a double insulated tool can result in damage to the double insulation system possibly causing electrical shock or electrocution. Any repairs requiring disassembly of your tool requires safety testing and should only be performed by a Ryobi Authorized Service Center. For the service center nearest you call 1-800-860-4050.**

\* STANDARD HARDWARE ITEM – MAY BE PURCHASED LOCALLY

RYOBI GENERATOR - MODEL NUMBER PS6500

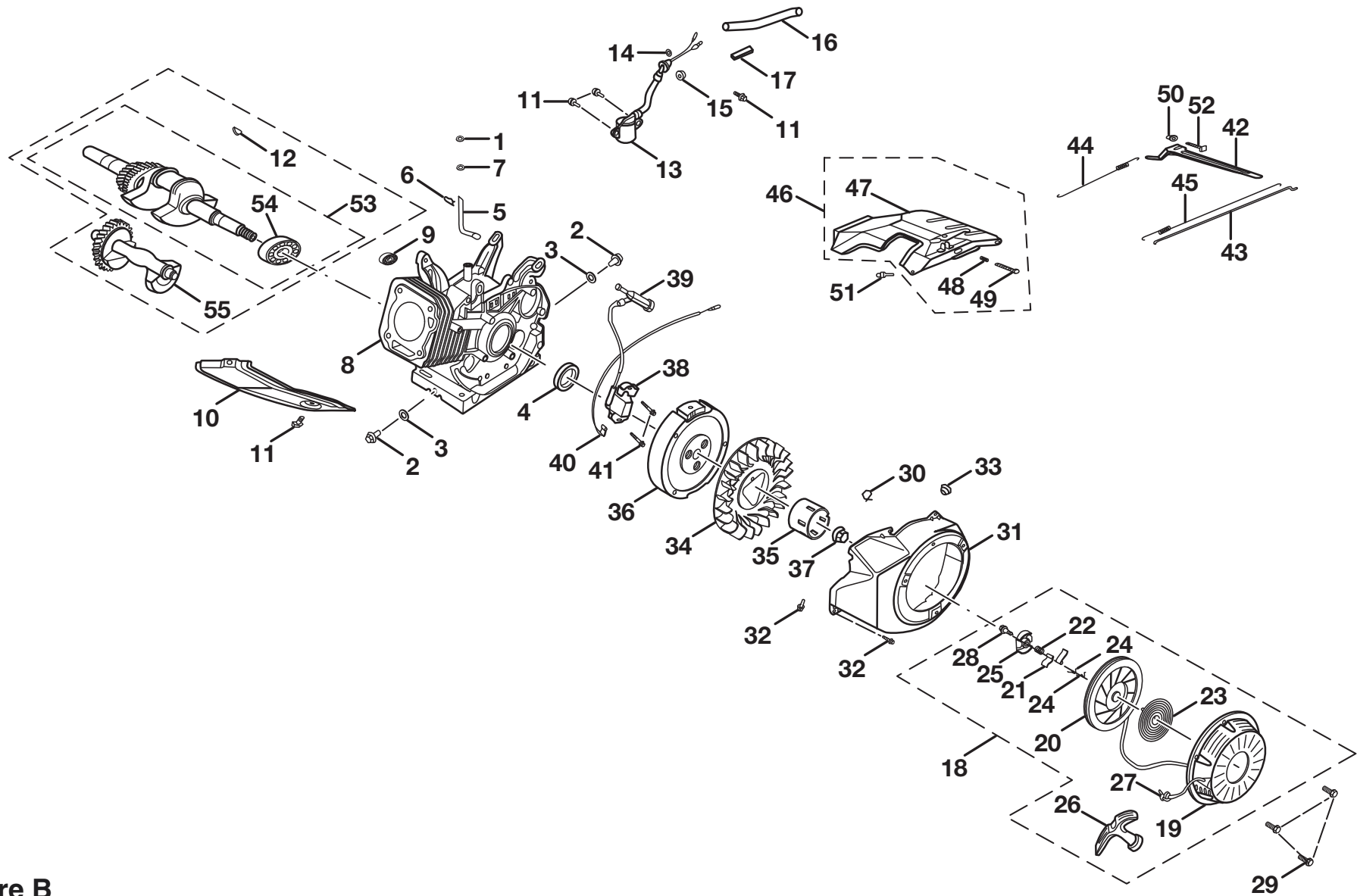


Figure B

## RYOBI GENERATOR – MODEL NUMBER PS6500

The model number will be found on a plate attached to the motor housing. Always mention the model number in all correspondence regarding your **GENERATOR** or when ordering repair parts.

### PARTS LIST (FIGURE B)

KEY NO.	PART NUMBER	DESCRIPTION	QTY	KEY NO.	PART NUMBER	DESCRIPTION	QTY
1	12209-M003	WASHER (8.2 X 17 X 0.8).....	1	29	GBT5789M6X8	BOLT (M6 X 8 mm).....	3
2	12203-M003	BOLT (DRAIN PLUG).....	2	30	12301-M003	WIRE HARNESS CLIP (6 mm) .....	1
3	12217-M003	DRAIN PLUG WASHER.....	2	31	12300-P001A	FAN COVER COMP.....	1
4	12215-P001	OIL SEAL (35 X 52 X 8) .....	1	32	GBT5789M6X12	BOLT (M6 X 12 mm).....	6
5	12208-P001	GOVERNOR ARM SHAFT.....	1	33	12302-M003	DRAIN HOLE GROMMET.....	1
6	12212-M003	LOCK PIN.....	1	34	19001-P001	COOLING FAN.....	1
7	12216-P001	OIL SEAL (8 X 14 X 5) .....	1	35	19004-P0001	STARTER PULLEY .....	1
8	12200-Q001	CYLINDER BARREL ASSEMBLY.....	1	36	81200-P001	COMP. FLYWHEEL.....	1
9	GBT2766202	RADIAL BALL BEARING (6202) .....	1	37	GBT6177.1M16	NUT (M16).....	1
10	11260-M003	SHROUD.....	1	38	81100-P001	IGNITION COIL ASSEMBLY.....	1
11	GBT5789M6X16	BOLT (M6 X 16 mm).....	4	39	81101-M003	SPARK PLUG BOOT.....	1
12	GBT699-1988	KEY.....	1	40	81102-M003	STOP SWITCH CORD.....	1
13	12220-M003	OIL LEVEL SWITCH ASSEMBLY.....	1	41	GBT5789M6X27	BOLT (M6 X 27 mm).....	2
14	12221-M003	O-RING (14 mm).....	1	42	17004-P001	GOVERNOR ARM.....	1
15	GBT6177.1M10	NUT (M10).....	1	43	17003-M003	ROD.....	1
16	12222-M003	WIRE PROTECTOR.....	1	44	17001-P001	GOVERNOR SPRING.....	1
17	12223-M003	WIRE TIES.....	1	45	17002-P001	THROTTLE RETURN SPRING.....	1
18	21100-M003	RECOIL STARTER ASSEMBLY (INC. KEY NOS. 19-28).....	1	46	17200-P001	CONTROL ASSEMBLY (INC. KEY NOS. 47-49) .	1
19	21101-P001	CASE COMP.RECOIL STARTER.....	1	47	17201-P001	SHROUD.....	1
20	21106-P001	RECOIL STARTER PULLEY.....	1	48	17202-P001	ADJUSTING SPING.....	1
21	21107-M003	STARTER RATCHET.....	2	49	17203-P001	ADJUSTING SCREW.....	1
22	21109-M003	FRICTION SPRING.....	1	50	GBT6177.1M6	NUT (M6).....	1
23	21111-M003	STARTER RETURN SPRING .....	1	51	GBT5789M6X12	BOLT (M6 X 12 mm).....	3
24	21112-M003	RATCHET SPRING.....	2	52	17005-M003	GOVERNOR ARM BOLT.....	1
25	21108-M003	SPRING RETAINER.....	1	53	13000-Q001	CRANKSHAFT COMP. (INC. KEY NO. 54).....	1
26	21103-M003	STARTER GRIP.....	1	54	GBT2766207	RADIAL BALL BEARING (607).....	1
27	21104-M003	RECOIL STARTER ROPE.....	1	55	13200-P001	WEIGHT BALANCER.....	1
28	21110-M003	CENTER SCREW.....	1	56	986107	POWERSTROKE RECOIL LOGO (NOT SHOWN). 1	1

**WARNING: Improper repair of a double insulated tool can result in damage to the double insulation system possibly causing electrical shock or electrocution. Any repairs requiring disassembly of your tool requires safety testing and should only be performed by a Ryobi Authorized Service Center. For the service center nearest you call 1-800-860-4050.**

\* STANDARD HARDWARE ITEM – MAY BE PURCHASED LOCALLY

RYOBI GENERATOR - MODEL NUMBER PS6500

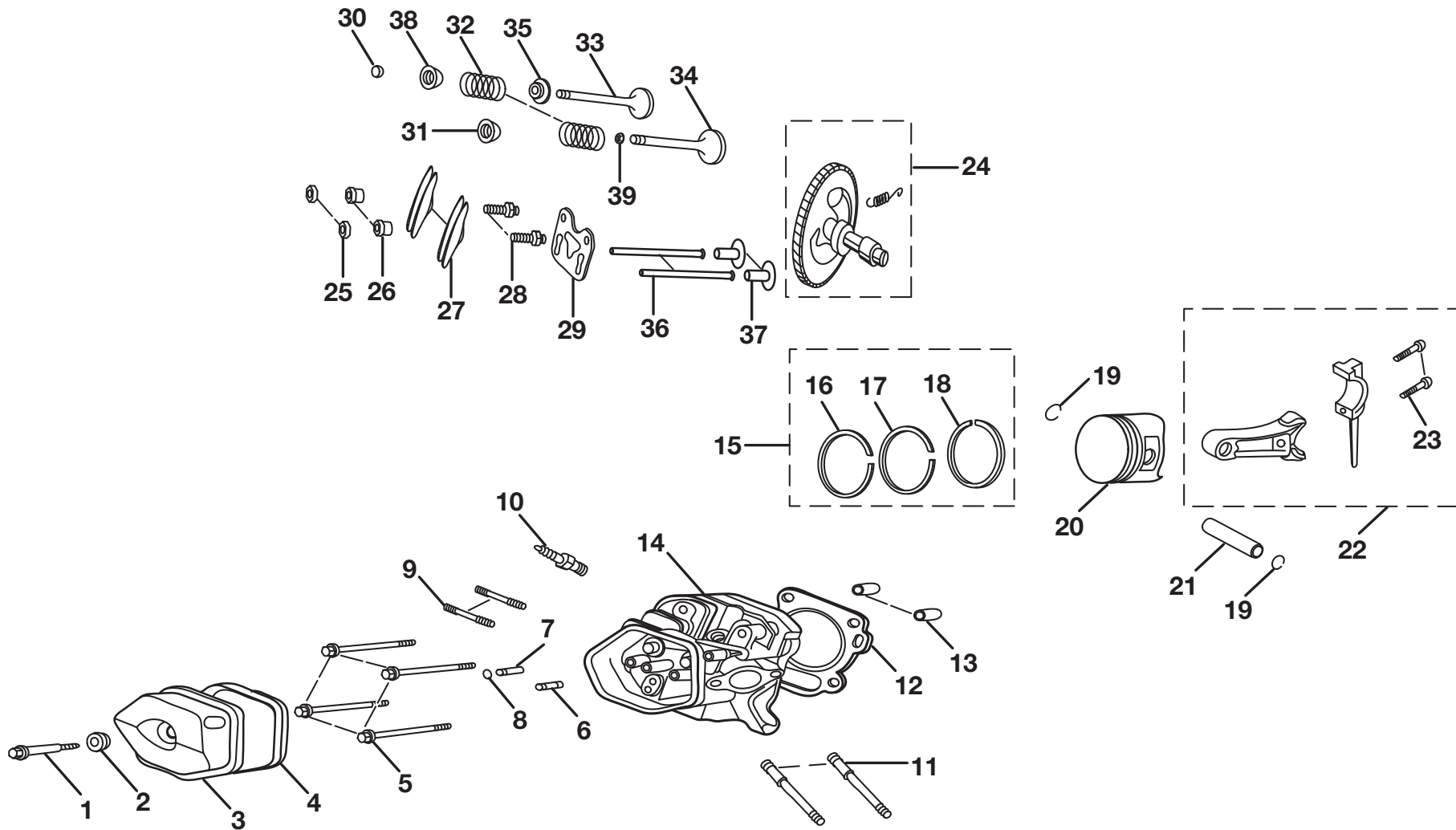


Figure C

## RYOBI GENERATOR – MODEL NUMBER PS6500

The model number will be found on a plate attached to the motor housing. Always mention the model number in all correspondence regarding your **GENERATOR** or when ordering repair parts.

### PARTS LIST (FIGURE C)

KEY NO.	PART NUMBER	DESCRIPTION	QTY	KEY NO.	PART NUMBER	DESCRIPTION	QTY
1	11242-M003	HEAD COVER BOLT .....	1	21	13104-P001	PISTON PIN .....	1
2	11243-M003	HEAD COVER WASHER COMP. ....	1	22	13106-P001	CONNECTING ROD ASSEMBLY (INC. KEY NO. 23). ....	1
3	11240-M003	HEAD COVER COMP. ....	1	23	GBT5789M8X38	BOLT (M8 X 38 mm) .....	2
4	11241-M003	HEAD COVER PACKING .....	1	24	15100-Q001	CAMSHAFT ASSEMBLY .....	1
5	GBT5789M10X80	FLANGE BOLT (M10 X 80 mm).....	4	25	11204-M003	ARM VALVE ROCKER NUT .....	2
6	11253-M003	GUIDE (IN. VALUE) .....	1	26	11203-M003	PIVOT ADJUSTING NUT .....	2
7	11252-M003	GUIDE (EX. VALUE) .....	1	27	11205-M003	ARM VALVE ROCKER.....	2
8	11255-M003	VALUE GUIDE CLIP .....	1	28	11214-M003	PIVOT BOLT .....	2
9	11217-M003	STUD BOLT (M8 X 34 mm) .....	2	29	11215-M003	PUSH ROD GUIDE PLATE .....	1
10	11202-M003	SPARK PLUG NGK BP6ES.....	1	30	11213-M003	VALVE ROTATOR .....	1
11	11218-P001	STUD BOLT (M8 X 106 mm) .....	2	31	11211-M003	IN. VALVE SPRING RETAINER.....	1
12	11219-Q001	CYLINDER HEAD GASKET .....	1	32	11206-M003	VALVE SPRING .....	2
13	11220-M003	DOWEL PIN (12 X 20 mm).....	2	33	11209-P001	EXHAUST VALVE .....	1
14	11250-P001	CYLINDER HEAD COMP. ....	1	34	11208-P001	INTAKE VALVE .....	1
15	13120-Q001	PISTON RING SET (INC. KEY NOS. 16-18) ....	1	35	11216-M003	VALVE SPRING SEAT .....	1
16	13102-Q001	FIRST RING SET .....	1	36	15001-P001	PUSH ROD.....	2
17	13103-Q001	SECOND RING SET .....	1	37	15002-M003	VALVE LIFTER .....	2
18	13110-Q001	THIRD RING SET .....	1	38	11212-M003	EX. VALVE SPRING RETAINER .....	1
19	13105-P001	PISTON PIN CLIP .....	2	39	11207-M003	OIL SEAL.....	1
20	13101-Q001	PISTON .....	1				

**WARNING:** Improper repair of a double insulated tool can result in damage to the double insulation system possibly causing electrical shock or electrocution. Any repairs requiring disassembly of your tool requires safety testing and should only be performed by a Ryobi Authorized Service Center. For the service center nearest you call 1-800-860-4050.

\* STANDARD HARDWARE ITEM – MAY BE PURCHASED LOCALLY

RYOBI GENERATOR - MODEL NUMBER PS6500

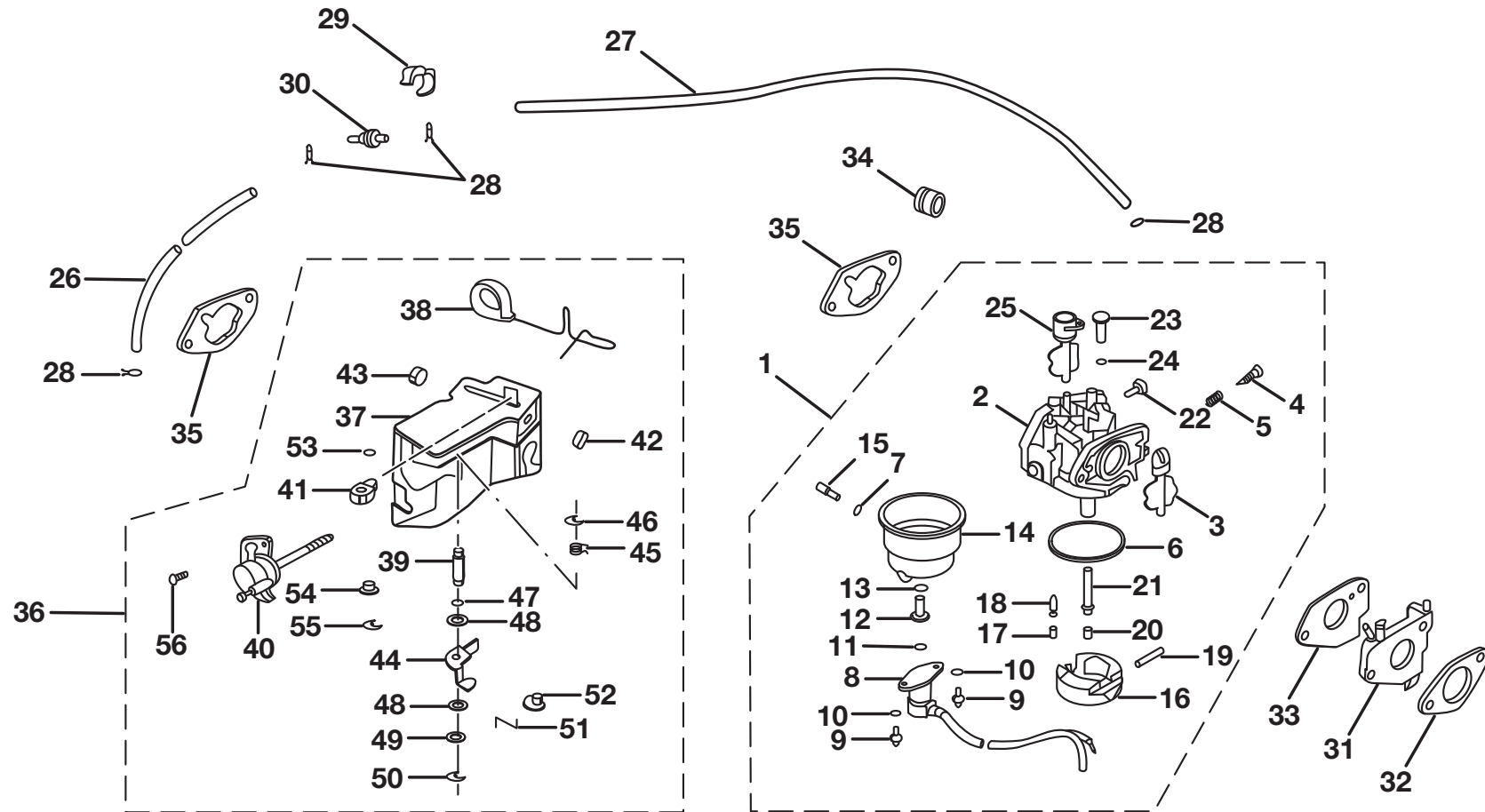


Figure D

## RYOBI GENERATOR – MODEL NUMBER PS6500

The model number will be found on a plate attached to the motor housing. Always mention the model number in all correspondence regarding your **GENERATOR** or when ordering repair parts.

### PARTS LIST (FIGURE D)

KEY NO.	PART NUMBER	DESCRIPTION	QTY	KEY NO.	PART NUMBER	DESCRIPTION	QTY
1	23000-Q001	CARBURETOR ASSEMBLY (INC. KEY NOS. 2-25) .....	1	30	23006-M003	DASHPOT CHECK VALVE .....	1
2	23002-Q001	CARBURETOR BODY .....	1	31	23001-Q001	CARBURETOR INSULATOR .....	1
3	23025-Q001	THROTTLE SET .....	1	32	23003-P001	CARBURETOR PACKING A .....	1
4	23026-Q001	ADJUST SCREW .....	1	33	23004-P001	CARBURETOR PACKING B .....	1
5	23027-Q001	SPRING .....	1	34	23010-M003	PROTECTOR OF BREATHER TUBE .....	1
6	23028-Q001	FUEL CUP O-RING .....	1	35	23008-P001	AIR CLEANER PACKING .....	2
7	23029-Q001	GAS DRAIN PLUG O-RING .....	1	36	22000-P001	CHOKE CONTROL UNIT (INC. KEY NOS. 37-56) .....	1
8	23009-Q001	FUEL CONTROLLED VALVE .....	1	37	22001-P001	FRAME .....	1
9	GBT67M5X12	SCREW (M5 X 12 mm) .....	2	38	22002-P001	HOOK .....	1
10	GB93D5	SPRING WASHER (Ø5) .....	2	39	22020-P001	CHOKE OVERMOLD .....	1
11	23010-Q001	O-RING (Ø5) .....	1	40	22003-P001	AIR PUMP .....	1
12	23011-Q001	BOLT (M8 X 17 mm) .....	1	41	22004-P001	HOOK GUIDE .....	1
13	23012-Q001	O-RING (Ø9) .....	1	42	22005-P001	FRictional RUBBER A .....	1
14	23013-Q001	FUEL CUP .....	1	43	22006-P001	FRictional RUBBER B .....	1
15	23014-Q001	GAS DRAIN PLUG .....	1	44	22007-P001	SWING ARM .....	1
16	23015-Q001	FLOATER .....	1	45	22008-P001	RETURN SPRING .....	1
17	23016-Q001	SPRING .....	1	46	22009-P001	CLIP A .....	1
18	23017-Q001	FUEL VALVE .....	1	47	22010-P001	IRON WASHER A .....	1
19	23018-Q001	PIN OF FLOATER .....	1	48	22011-P001	FIBER WASHER .....	2
20	23019-Q001	MAIN JET .....	1	49	22013-P001	IRON WASHER B .....	1
21	23020-Q001	SPOUT .....	1	50	22014-P001	CLIP B .....	1
22	23021-Q001	IDLE SCREW .....	1	51	22015-P001	CHOKE CONTROL ROD .....	1
23	23022-Q001	RUBBER PLUG 1 .....	1	52	22016-P001	NYLON CLIP .....	1
24	23023-Q001	RUBBER PLUG 2 .....	1	53	22017-P001	CLIP C .....	1
25	23024-Q001	CHOKE SET .....	1	54	22018-P001	BUSH .....	1
26	23004-M003	TUBE (3.5 X 65) .....	1	55	22019-P001	CLIP D .....	1
27	23005-M003	TUBE (3.5 X 130) .....	1	56	22012-P001	SCREW (M4 X 6 mm) .....	5
28	23011-M003	TUBE CLIP .....	4	57	986261	AUTOMATIC CHOKE LABEL (NOT SHOWN)...	1
29	23007-M003	WIRE HARNESS CLIP .....	1				

**WARNING:** Improper repair of a double insulated tool can result in damage to the double insulation system possibly causing electrical shock or electrocution. Any repairs requiring disassembly of your tool requires safety testing and should only be performed by a Ryobi Authorized Service Center. For the service center nearest you call 1-800-860-4050.

\* STANDARD HARDWARE ITEM – MAY BE PURCHASED LOCALLY



RYOBI GENERATOR – MODEL NUMBER PS6500

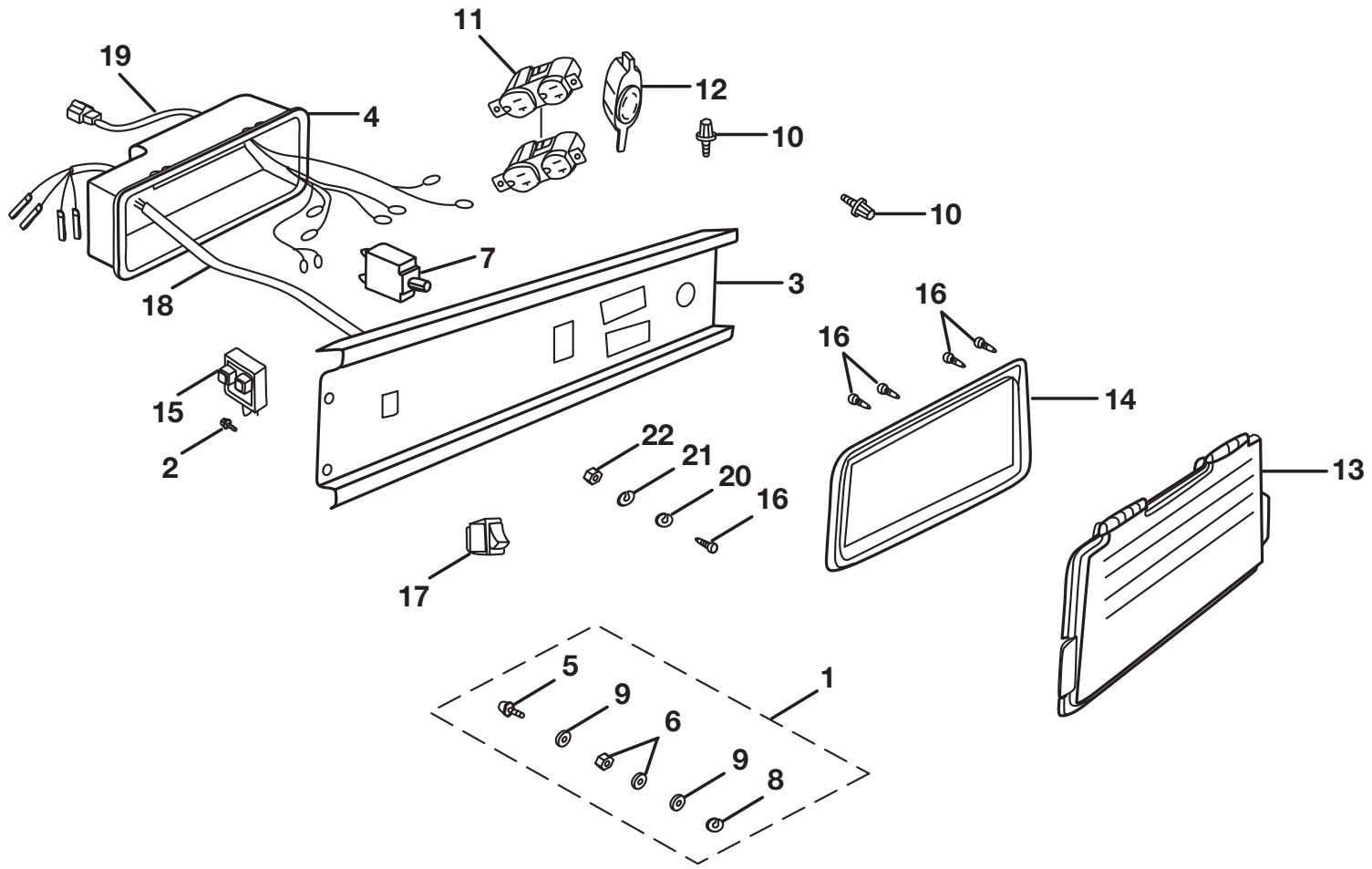


Figure E

## RYOBI GENERATOR – MODEL NUMBER PS6500

The model number will be found on a plate attached to the motor housing. Always mention the model number in all correspondence regarding your **GENERATOR** or when ordering repair parts.

### PARTS LIST (FIGURE E)

KEY NO.	PART NUMBER	DESCRIPTION	QTY
1	11010-L209	TERMINAL SET GROUND .....	1
2	GBT5789M6X14	BOLT (M6 X14 mm).....	1
3	11090-L209	CONTROL PANEL COMP .....	1
4	20060-L209	CONTROL PANEL CASE.....	1
5	GBT5783M6X20	BOLT (M6 X 20 mm).....	1
6	GBT6172M6	NUT HEX (M6) .....	2
7	11071-L209	CIRCUIT BREAKER (23A) .....	1
8	GBT97.1D6	PLAIN WASHER (Ø6) .....	1
9	GBT93D6	SPRING WASHER (Ø6) .....	2
10	GBT5789M6X20	BOLT (M6 X 20 mm).....	4
11	11070-L209-0001	SOCKET (120V) .....	2
12	11070-L209-0002	SOCKET (120V 240V) .....	1
13	11073-L209	SOCKET COVER .....	1
14	11074-L209	SOCKET COVER SEAL.....	1
15	11050-L209	DIODE ASSEMBLY .....	1
16	GBT67M4	SCREW (M4).....	6
17	11072-L209	SWITCH .....	1
18	11060-L209	HARNESS ASSEMBLY A WIRE.....	1
19	11080-L209	HARNESS ASSEMBLY B WIRE.....	1
20	GB93D4	SPRING WASHER (Ø4) .....	6
21	GB97.1D4	PLAIN WASHER (Ø4) .....	6
22	GBT6177.1M4	NUT (M4).....	6
23	GBT67M3	SCREW (M3) (NOT SHOWN) .....	4

**WARNING:** Improper repair of a double insulated tool can result in damage to the double insulation system possibly causing electrical shock or electrocution. Any repairs requiring disassembly of your tool requires safety testing and should only be performed by a Ryobi Authorized Service Center. For the service center nearest you call 1-800-860-4050.

\* STANDARD HARDWARE ITEM – MAY BE PURCHASED LOCALLY

RYOBI GENERATOR – MODEL NUMBER PS6500

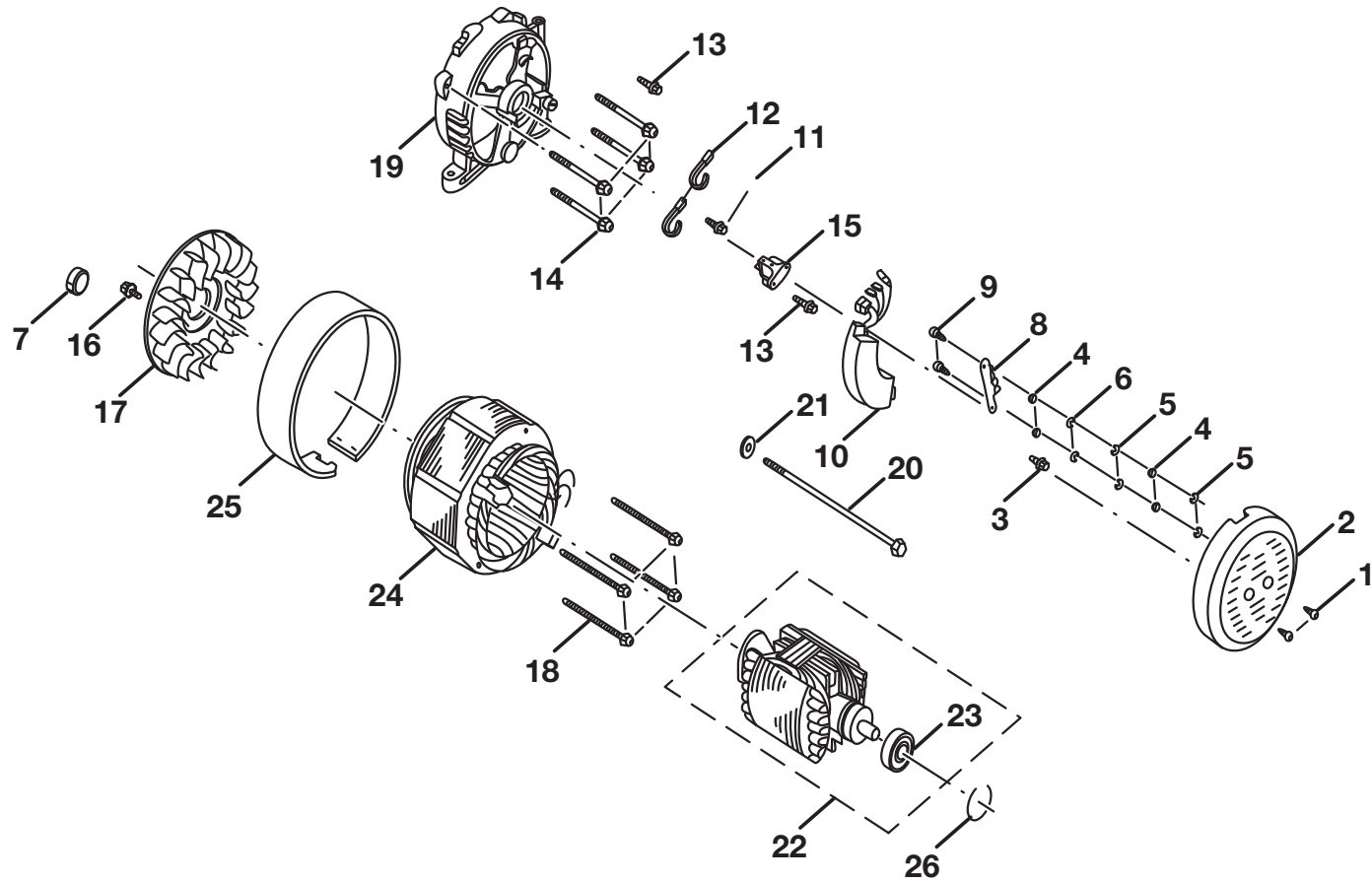


Figure F

## RYOBI GENERATOR – MODEL NUMBER PS6500

The model number will be found on a plate attached to the motor housing. Always mention the model number in all correspondence regarding your **GENERATOR** or when ordering repair parts.

### PARTS LIST (FIGURE F)

KEY NO.	PART NUMBER	DESCRIPTION	QTY
1	GBT5789M6X16	FLANGE BOLT (M6 X 16 mm) .....	2
2	16004-L209	GENERATOR END COVER .....	1
3	GBT5789M5X12	FLANGE BOLT (M5 X 12 mm) .....	2
4	GB6172M5	HEX NUT (M5) .....	4
5	GB97.1D5	PLAIN WASHER (Ø5) .....	4
6	GB93D5	SPRING WASHER (Ø5) .....	4
7	16009-L209	CRANKCASE GROMMET .....	1
8	16001-L209	VOLT CHANGE TERMINAL .....	1
9	GBT5789M5X20	HEX. BOLT (M5 X 20 mm) .....	2
10	16007-L209	AUTOMATIC VOLTAGE REGULATOR ASSEMBLY .....	1
11	GBT5789M5X12	FLANGE BOLT (M5 X 12 mm) .....	2
12	16008-L209	CABLE TIE .....	2
13	GBT5789M5X12	FLANGE BOLT (M5 X 12 mm) .....	2
14	GBT5789M6X125	FLANGE BOLT (M6 X 125 mm) .....	4
15	16006-L209	BRUSH ASSEMBLY .....	1
16	GBT5789M5X12	FLANGE BOLT (M5 X 12 mm) .....	3
17	16005-L209	GENERATOR COOLING FAN .....	1
18	GBT5789M5X210	BOLT-WASHER (M5 X 210 mm) .....	4
19	16000-L209	STATOR/HOUSING ASSEMBLY .....	1
20	GBT5789M10X265	HEX. BOLT (M10 X 265 mm) .....	1
21	GB97.1D10X5	WASHER (Ø10 X 5 mm) .....	1
22	16200-L209	ROTOR COMP .....	1
23	16010-L209	BEARING ASSEMBLY (6204) .....	1
24	16100-L209	STATOR ASSEMBLY .....	1
25	16101-L209	STATOR COVER .....	1
26	16102-L209	BEARING CLIP .....	1

**WARNING: Improper repair of a double insulated tool can result in damage to the double insulation system possibly causing electrical shock or electrocution. Any repairs requiring disassembly of your tool requires safety testing and should only be performed by a Ryobi Authorized Service Center. For the service center nearest you call 1-800-860-4050.**

\* STANDARD HARDWARE ITEM – MAY BE PURCHASED LOCALLY

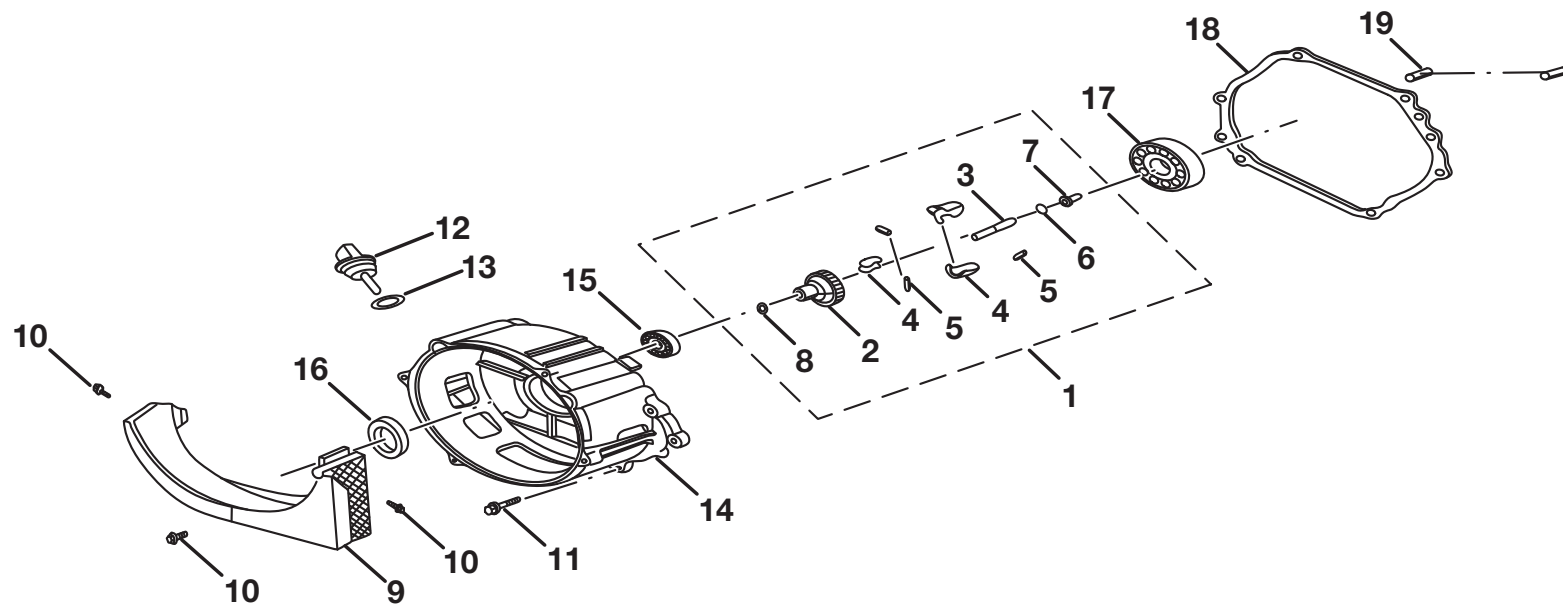


Figure G

## RYOBI GENERATOR – MODEL NUMBER PS6500

The model number will be found on a plate attached to the motor housing. Always mention the model number in all correspondence regarding your **GENERATOR** or when ordering repair parts.

### PARTS LIST (FIGURE G)

KEY NO.	PART NUMBER	DESCRIPTION	QTY
1	12230-P001	GOVERNOR KIT (INC. KEY NOS. 2-8) .....	1
2	12235-P001	GOVERNOR .....	1
3	12231-M003	GOVERNOR HOLDER .....	1
4	12236-P001	GOVERNOR WEIGHT .....	3
5	12237-M003	GOVERNOR WEIGHT PIN .....	3
6	11232-M003	GOVERNOR HOLDER CLIP .....	1
7	12234-M003	GOVERNOR SLIDE.....	1
8	12233-M003	PLAIN WASHER (Ø6) .....	1
9	12105-P001	DUCT COVER .....	1
10	GBT5789M5X12	BOLT (M5 X12 mm) .....	3
11	GBT5789M8X35	BOLT (M8 X 35 mm) .....	7
12	12102-M003	OIL FILLER CAP.....	1
13	12104-M003	O-RING (26 X 2.7 mm) .....	1
14	12100-P001	CRANKCASE COVER ASSEMBLY.....	1
15	GBT2766202	RADIAL BALL BEARING (6202).....	1
16	12215-P001	OIL SEAL (35 X 52 X 8).....	1
17	GBT2766207	RADIAL BALL BEARING (6207).....	1
18	12214-P001	CASE COVER PACKING .....	1
19	12213-M003	DOWEL PIN (8 X 12) .....	2

**WARNING:** Improper repair of a double insulated tool can result in damage to the double insulation system possibly causing electrical shock or electrocution. Any repairs requiring disassembly of your tool requires safety testing and should only be performed by a Ryobi Authorized Service Center. For the service center nearest you call 1-800-860-4050.

\* STANDARD HARDWARE ITEM – MAY BE PURCHASED LOCALLY

RYOBI GENERATOR – MODEL NUMBER PS6500

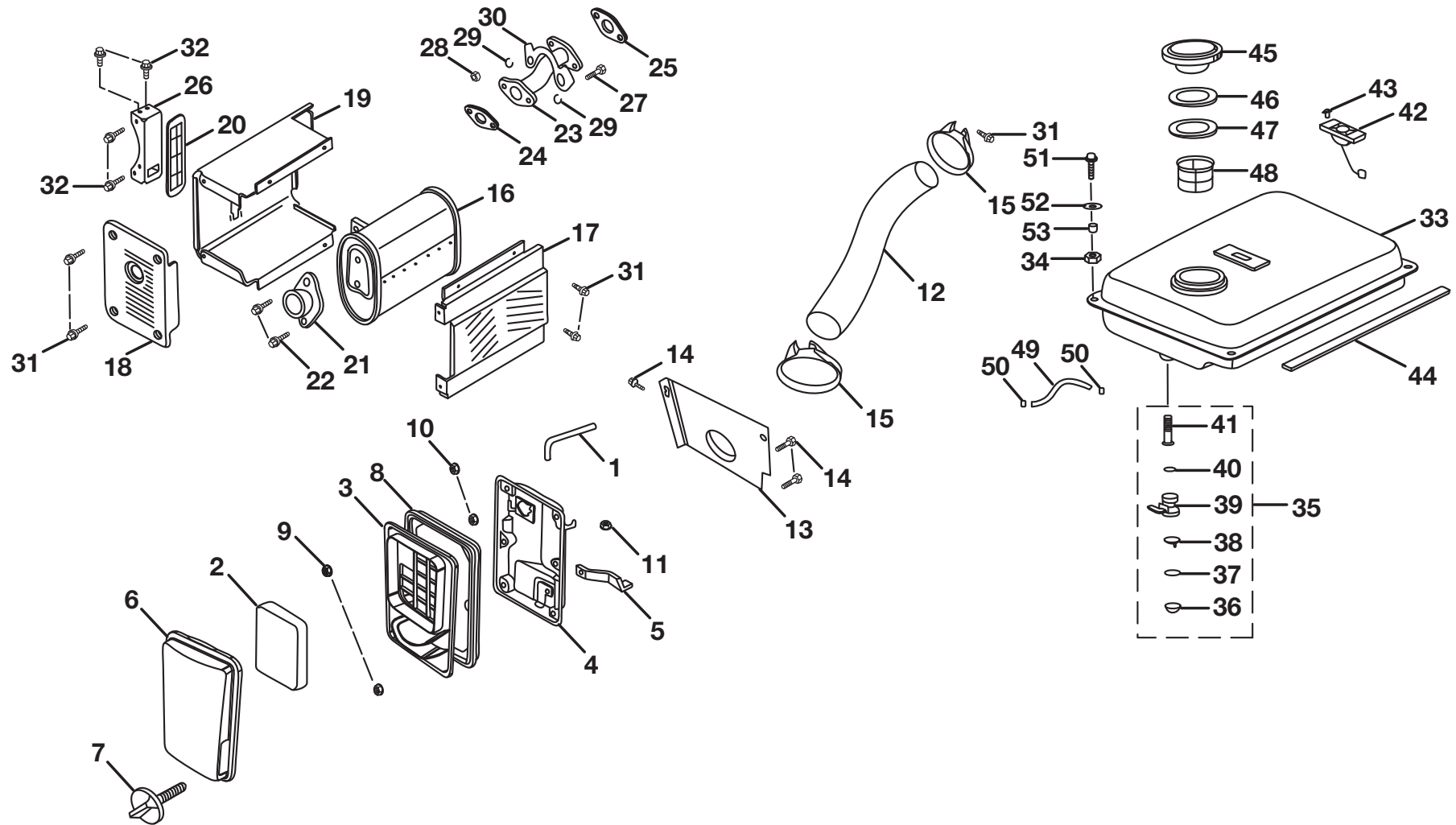


Figure H

## RYOBI GENERATOR – MODEL NUMBER PS6500

The model number will be found on a plate attached to the motor housing. Always mention the model number in all correspondence regarding your **GENERATOR** or when ordering repair parts.

### PARTS LIST (FIGURE H)

KEY NO.	PART NUMBER	DESCRIPTION	QTY	KEY NO.	PART NUMBER	DESCRIPTION	QTY
1	12001-L209	BREATHER TUBE .....	1	32	GBT5789M8X16	BOLT (M8 X 16 mm) .....	4
2	12003-L209	AIR CLEANER ELEMENT .....	1	33	14200-L209	FUEL TANK COMP. ....	1
3	12004-L209	AIR CLEANER SEPRATOR.....	1	34	14001-L202	TANK CUSHION RUBBER .....	4
4	12005-L209	AIR CLEANER CASE REAR .....	1	35	14100-L202	FUEL COCK ASSEMBLY (INC. KEY NOS. 36-41).....	1
5	12006-L209	AIR CLEANER STAY .....	1	36	14105-L202	FUEL STRAINER CUP .....	1
6	12007-L209	AIR CLEANER COVER CASE FRONT .....	1	37	14101-L202	FUEL STRAINING CUP PACKING .....	1
7	12008-L209	MOLDED BOLT .....	1	38	14104-L202	CUP FILTER .....	1
8	12010-L209	AIR CLEANER SEAL.....	1	39	14106-L202	FUEL COCK BODY .....	1
9	GB61724MM	NUT (4 mm) .....	6	40	14103-L202	O-RING.....	1
10	GBT6177.1M6	NUT (M6) .....	1	41	14102-L202	FUEL STRAINER SCREEN .....	1
11	GBT6177.1M6	NUT (M6) .....	1	42	14400-L202	FUEL METER ASSEMBLY .....	1
12	12011-L209	PRE-HEATER HOSE .....	1	43	GB9074.9M5X10	SCREW (M5 X 10 mm FLAT HD.) .....	2
13	12012-L209	MUFFLER PRE-HEATER BRACKET .....	1	44	14201-L209	FUEL TANK SEAL .....	1
14	GB/T5789M6X20	BOLT (M6 X 20 mm) .....	3	45	14300-L209	FUEL FILLER CAP COMP. ....	1
15	12013-L209	PRE-HEATER HOSE CLAMP .....	2	46	14301-L209	RUBBER FUEL FILLER CAP PACKING .....	1
16	13000-L211	MUFFLER COMP. ....	1	47	14303-L209	PLASTIC FUEL FILLER CAP PACKING .....	1
17	13003-L209	MUFFLER SIDE PROTECTOR .....	1	48	14302-L209	FUEL FILTER.....	1
18	13001-L209	MUFFLER OUTER PROTECTOR COMP. ....	1	49	14004-L209	FUEL TUBE (Ø3.5 X Ø10 X 165) .....	1
19	13002-L211	MUFFLER INNER PROTECTOR COMP. ....	1	50	14006-L209	TUBE CLIP (B8) .....	2
20	13004-L209	PROTECTOR MUFFLER SEAL .....	1	51	GBT5789M6X30	FLANGE BOLT (M6 X 30 mm).....	4
21	13200-L210	SPARK ARRESTOR .....	1	52	14002-L209	TANK CUSHION WASHER .....	4
22	GB/T5789M5X20	BOLT (M5 X 20 mm) .....	2	53	14005-L202	BUSHING .....	4
23	13200-L210	EXHAUST PIPE COMP. ....	1	54	14304-L209	SPILL TROUGH (NOT SHOWN) .....	1
24	13201-L209	EX. PIPE GASKET (A).....	1	55	986102	QUICKSTART LABEL (NOT SHOWN) .....	1
25	13202-L209	EX. PIPE GASKET (B).....	1	56	986106	POWERSTROKE LABEL (NOT SHOWN).....	1
26	13005-L209	MUFFLER STAY COMP. ....	1	57	986108	WATTS LABEL (NOT SHOWN) .....	1
27	GBT5789M8X25	BOLT (M8 X 25 mm) .....	2	58	986110	WARNING LABEL (NOT SHOWN).....	1
28	GBT6177.1M8	NUT (8 mm) .....	2	59	986262	FUEL LEVEL LABEL (NOT SHOWN).....	1
29	13007-L209	SPRING WASHER (Ø8) .....	4		983000616	OPERATOR'S MANUAL	
30	TD5006-PB50	LOCK PLATE .....	1		983000616R	REPAIR SHEET (REV:00)	
31	GBT5789M6X12	BOLT (M6 X 12 mm) .....	7		04-23-05		

**WARNING: Improper repair of a double insulated tool can result in damage to the double insulation system possibly causing electrical shock or electrocution. Any repairs requiring disassembly of your tool requires safety testing and should only be performed by a Ryobi Authorized Service Center. For the service center nearest you call 1-800-860-4050.**

\* STANDARD HARDWARE ITEM – MAY BE PURCHASED LOCALLY