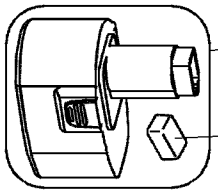
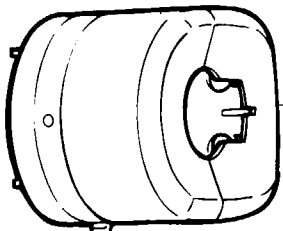


861

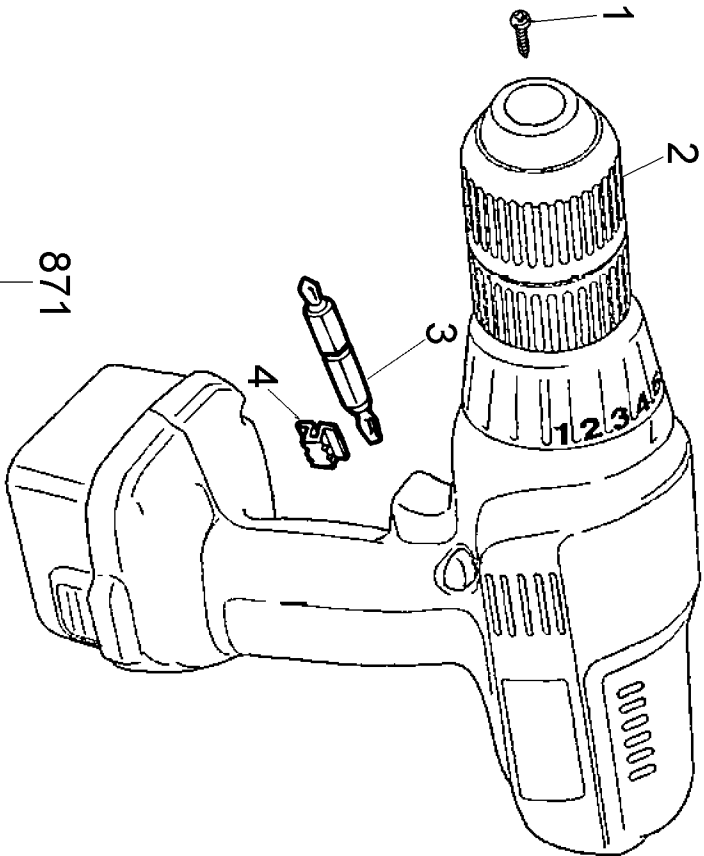
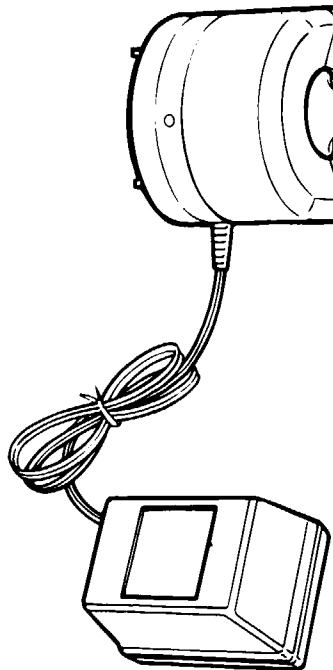


866

867



871



Parts List for PS3625K-2 Type 1

Item Number	Part Number	Description	Qty Required
1	149518-01	SCREW	1
2	498796-00	KEYLESS CHUCK	1
3	607918-41	SCREWDRIVER BIT	1
4	148354-03	BIT CLIP	1
861	499125-00	KIT BOX	1
866	PS140	14.4V BATTERY	2
867	645221-00	BATTERY CAP	2
871	418352-02	PS180 14.4V CHARGER	1
875	497641-05	LATCH	2