

Cordless Drill Driver - 3 601 H68 010 - PS30

www.powertools-aftersaleservice.com



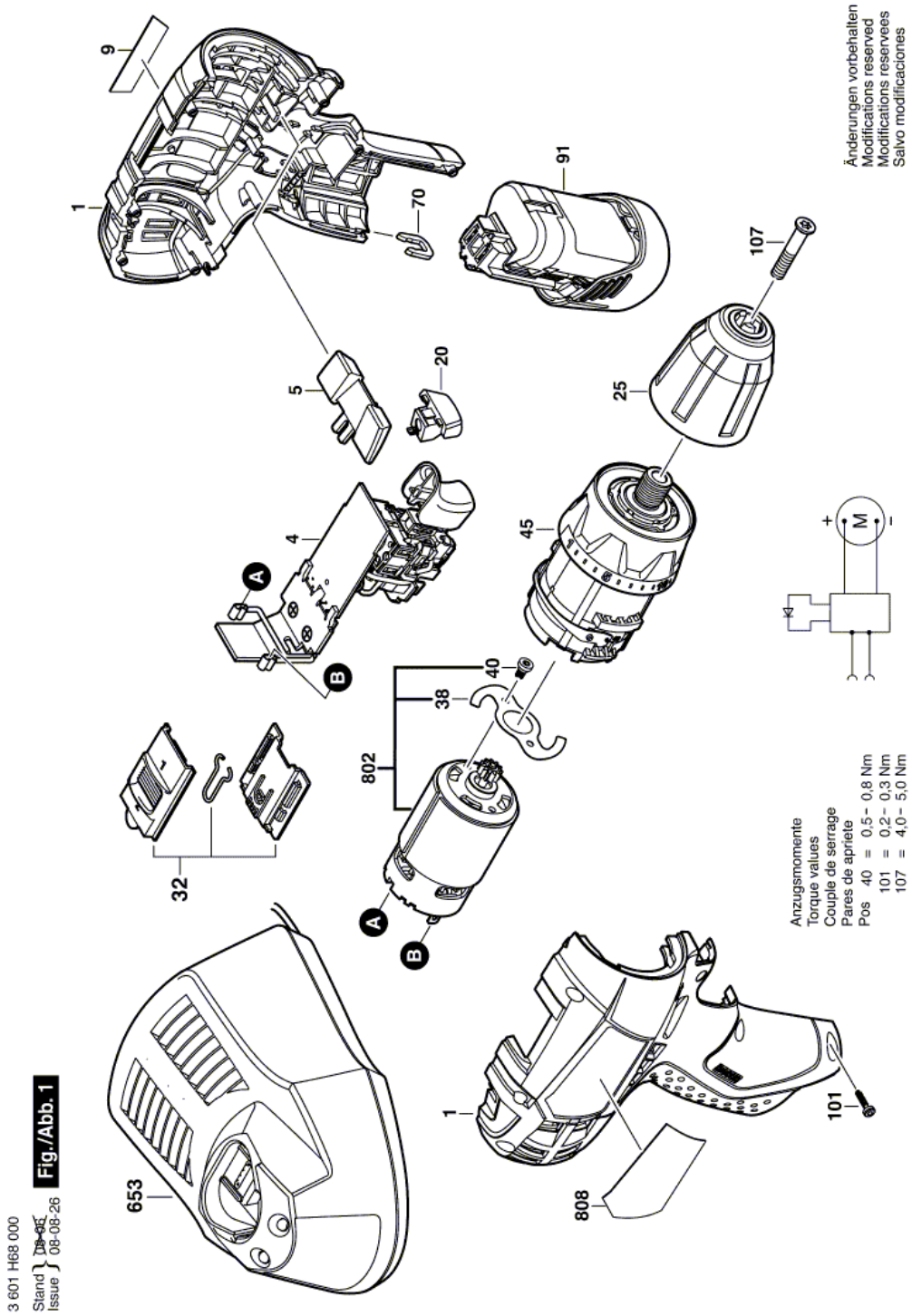
BOSCH

Item	Part Number	Description	Illustration	Price	Quantity	Price Group
1	2 609 100 666	Housing BLUE	1	-,-	1	30
4	1 607 233 508	Electronics Module	1	-,-	1	39
5	2 609 100 665	Button	1	-,-	1	12
9	2 609 132 078	Nameplate Litheon 12V	1	-,-	1	13
20	2 609 100 664	Light Guide	1	-,-	1	12
25	2 609 110 799	Keyless Chuck 10 MM	1	-,-	1	34
32	2 609 199 119	Slide Switch	1	-,-	1	14
38	2 609 110 801	Tab Washer	1	-,-	1	12
40	2 609 110 802	Screw	1	-,-	2	10
45	2 609 199 298	Gear Box	1	-,-	1	39
70	2 609 110 537	Clip	1	-,-	1	11
91	2 607 336 015	Battery Pack 10,8V, 1,3Ah, LI	1	-,-	1	41
101	2 609 110 883	Screw	1	-,-	8	10
107	2 609 110 635	Pan head screw M 6x30	1	-,-	1	11
653	2 607 225 139	Fast Charger USA/CAN 120/10,8-12V/30 MIN.	1	-,-	1	40
802	2 609 199 177	DC motor 10,8V	1	-,-	1	36
808	2 609 131 894	Type Label	1	-,-	1	13

Product information Cordless Drill Driver - 3 601 H68 010 - PS30

Product No	3 601 H68 010
Description	251.119; Cordless Drill Driver
DIN-Text	
ID_Text_Ext	0
Trading_Description	PS30
Voltage_1	10,8 V
ID_Country_Product	USA

Illustration - Type E



Information subject to change without further notice.