

Cordless Screwdriver - 3 601 J92 910 - PS21

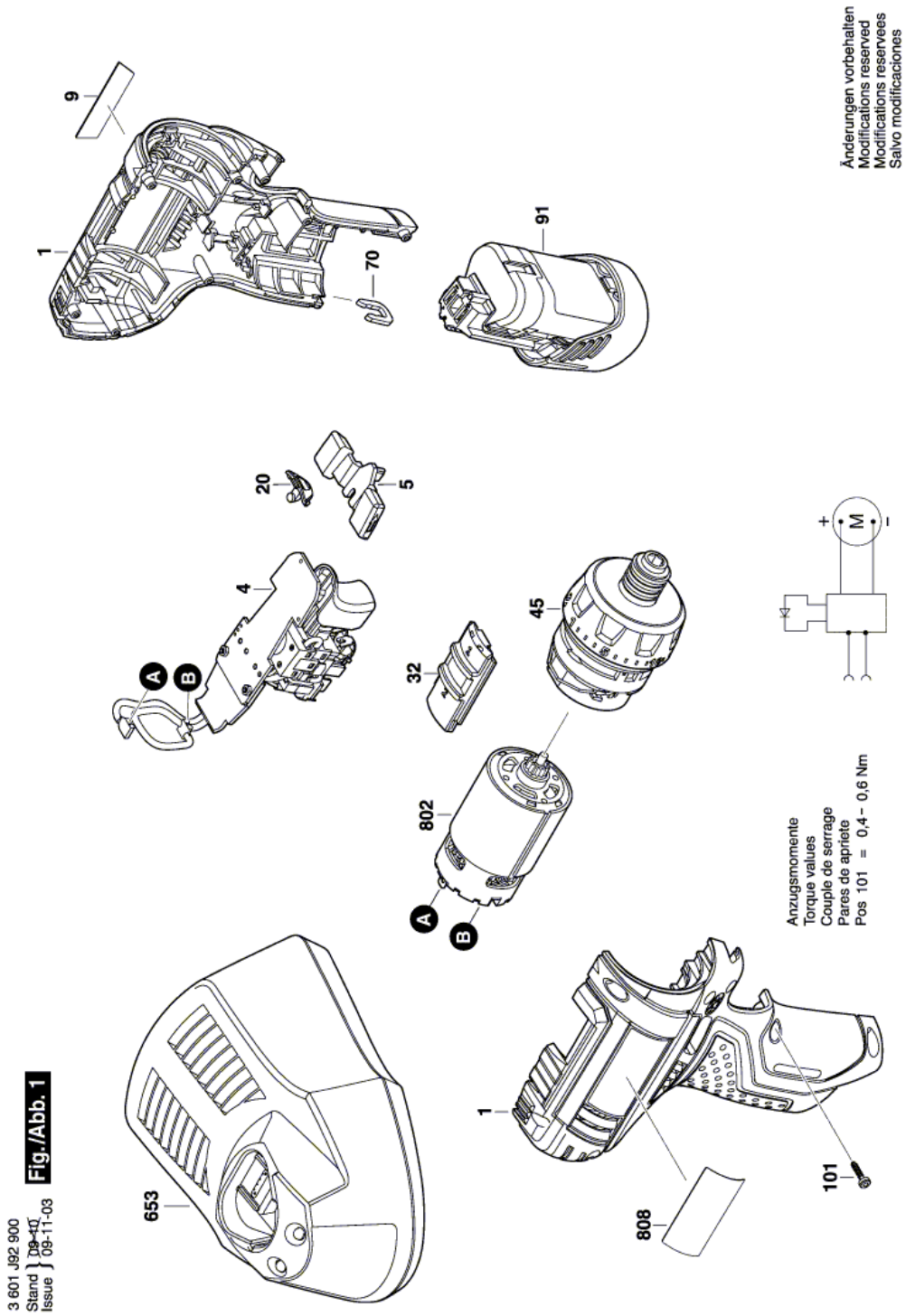
www.powertools-aftersaleservice.com



BOSCH

Item	Part Number	Description	Illustration	Price	Quantity	Price Group
1	2 609 100 839	Housing BLUE	1	-,-	1	28
4	1 607 233 488	Electronics Module	1	-,-	1	39
5	2 609 100 825	Changeover Lever	1	-,-	1	10
9	2 609 132 529	Nameplate Lithium-Ion 12V	1	-,-	1	13
20	2 609 100 826	Lens	1	-,-	1	10
32	2 609 199 279	Switchover Unit	1	-,-	1	10
45	2 606 200 259	Gear Box	1	-,-	1	37
70	2 609 110 537	Clip	1	-,-	1	11
91	2 607 336 881	Battery Pack 10,8V, 2,0Ah, LI	1	-,-	1	-
101	2 609 110 883	Screw	1	-,-	8	10
653	2 607 225 139	Fast Charger USA/CAN 120/10,8-12V/30 MIN.	1	-,-	1	40
802	2 609 199 258	DC motor 10,8V	1	-,-	1	35
808	2 609 132 609	Nameplate	1	-,-	1	13

Illustration - Type E



Information subject to change without further notice.