

Angle Screwdriver - 3 601 J19 U10 - PS10

www.powertools-aftersaleservice.com



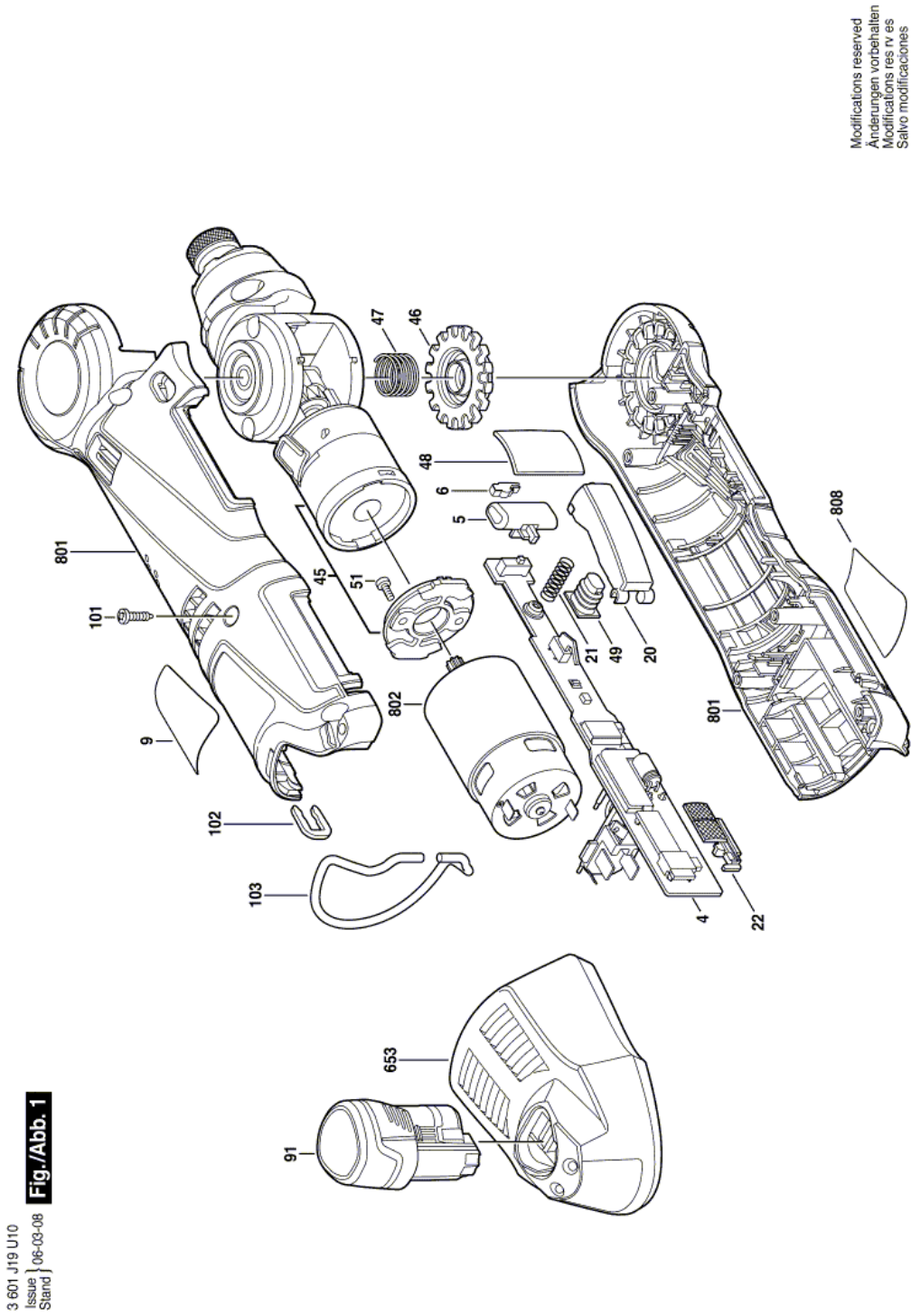
BOSCH

Item	Part Number	Description	Illustration	Price	Quantity	Price Group
4	2 609 120 228	Printed Circuit Board	1	-,-	1	43
5	2 609 100 456	Changeover Lever	1	-,-	1	10
6	2 609 110 536	Spring Clip	1	-,-	1	10
9	2 609 131 253	Manufacturer's nameplate	1	-,-	1	13
20	2 609 100 455	Switch Handle	1	-,-	1	11
21	2 609 110 535	Spring	1	-,-	1	10
22	2 609 100 458	Clutch Lever	1	-,-	1	15
45	2 609 199 143	Gear Box	1	-,-	1	46
46	2 609 100 454	Coupling Plate	1	-,-	1	20
47	2 609 110 534	Spring	1	-,-	1	11
48	2 609 100 457	Cover	1	-,-	1	11
49	2 609 170 058	Cover	1	-,-	1	13
51	2 609 110 560	Screw	1	-,-	2	10
91	2 607 336 015	Battery Pack 10,8V, 1,3Ah, LI	1	-,-	1	41
101	2 609 110 538	Screw	1	-,-	5	10
102	2 609 110 537	Clip	1	-,-	1	11
103	2 609 110 539	Hook	1	-,-	1	12
653	2 607 225 139	Fast Charger USA/CAN 120/10,8-12V/30 MIN.	1	-,-	1	40
801	2 609 199 129	Housing Set	1	-,-	1	31
802	2 609 199 131	Motor	1	-,-	1	30
808	2 609 131 257	Nameplate	1	-,-	1	13

Product information Angle Screwdriver - 3 601 J19 U10 - PS10

Product No	3 601 J19 U10
Description	189.405; Angle Screwdriver
DIN-Text	
ID_Text_Ext	0
Trading_Description	PS10
Voltage_1	10,8 V
ID_Country_Product	USA

Illustration - Type E



3 601 J19 U10
Issue | 06-03-08
Stand

Fig./Abb. 1

Modifications reserved
Änderungen vorbehalten
Modificaciones reservadas
Salvo modificaciones

Information subject to change without further notice.