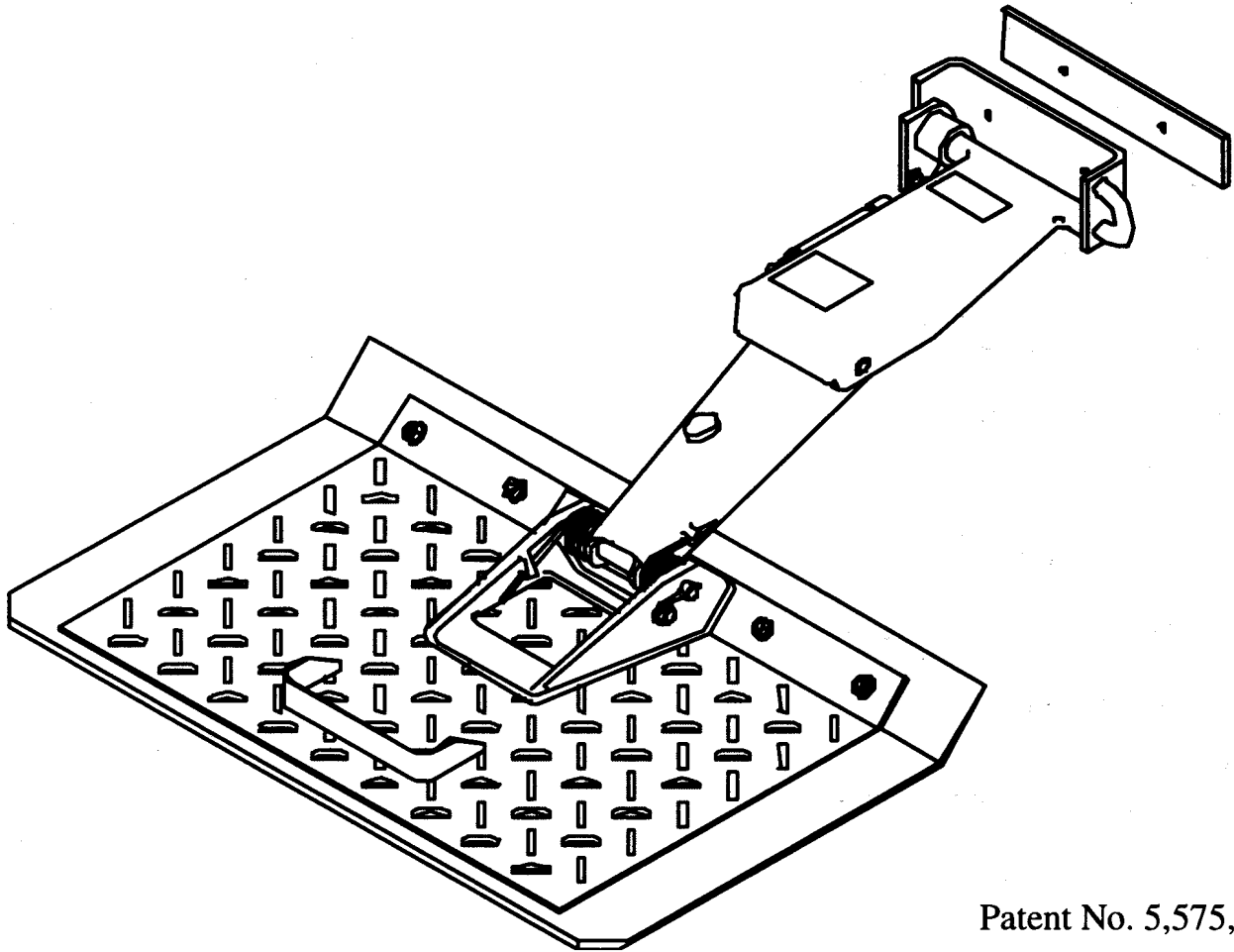


Proslide®

Retracting Slider

Installation and User Manual

Thank you for purchasing the Proslide Retracting Slider.



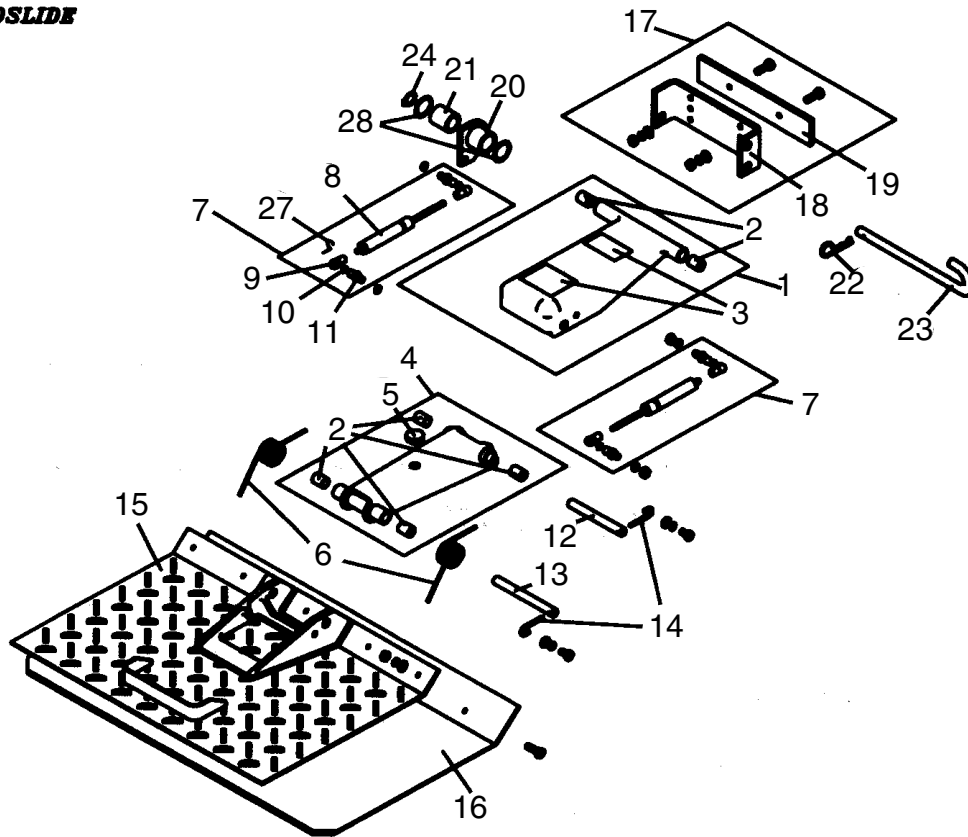
Patent No. 5,575,140

Please read before using.

This manual will help you get maximum performance from your slider.

Novae

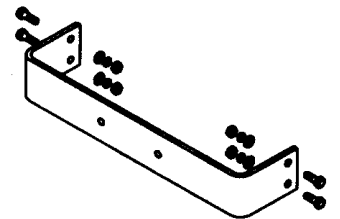
PROSLIDE



Ref. #	Part No.	Description	Qty./Unit
1	531 03 08-25	Upper arm assembly (includes bearings)	1
2	531 03 08-26	Self lubricated bronze bearing	6
3	531 03 08-27	Decal set	1
4	531 03 08-28	Lower arm assembly (includes bearings)	1
5	531 03 08-29	Bumper stop	1
6	531 03 08-30	Torsion spring, left and right	1
7	531 03 08-31	Gas spring assembly	2
8	531 03 08-32	Gas spring	2
9	531 03 08-33	Ball socket	4
10	531 03 08-34	Ball joint seal	4
11	531 03 08-35	Ball stud	4
12	531 03 08-36	Center joint pin	1
13	531 03 08-37	Deck joint pin	1
14	531 03 08-38	Pin retainer	2
15	531 03 08-39	Foot plate	1
16	531 03 08-40	Wear plate	1
17	531 03 08-41	Mounting bracket assy (incl. back plate, bolts)1	1
18	531 03 08-42	Mounting bracket	1
19	531 03 08-43	Backing plate	1
20	531 03 08-44	Lift spring arm	1
21	531 03 08-45	Bushing, lift spring arm	1
22	531 03 08-46	Hairpin cotter	1
23	531 03 08-47	Connecting pin	1
24	531 03 08-48	Snap ring	1
25	531 03 08-49	Ferris adapter (includes mounting bolts)	Optional
26	531 03 08-50	Honda U-bolt kit	Optional
27	531 03 08-51	Gas spring safety clip	4
28	531 03 08-52	Machine washer	2

Specifications are subject to change without notice

FERRIS ADAPTER 25



HONDA U-BOLT KIT 26

