

## Router - 3 601 F0A 710 - PR 20 EVS

www.powertools-aftersaleservice.com



**BOSCH**

Item	Part Number	Description	Illustration	Price	Quantity	Price Group
1	2 609 100 222	Motor Housing BLUE	1	-,-	1	28
4	2 609 120 274	Switch	1	-,-	1	24
5	1 604 460 308	Power supply cord USA/CDN/SMA 3,30m 2 x 0,82mm SJ 18/2	1	-,-	1	25
6	2 600 703 018	Grommet Ø7,3-Ø8,6x76 MM	1	-,-	1	13
7	2 601 035 001	Cable Clip	1	-,-	1	11
8	2 609 131 588	Type Label	1	-,-	1	13
9	2 609 130 778	Warning Plate	1	-,-	1	12
11	2 609 130 777	Warning Plate	1	-,-	1	12
12	1 607 233 174	Regulator	1	-,-	1	33
13	2 609 110 435	Deep-Groove Ball Bearing	1	-,-	1	20
14	2 609 110 436	Deep-Groove Ball Bearing	1	-,-	1	19
15	2 609 110 253	Self-locking nut	1	-,-	1	14
16	2 609 110 217	Brush Holder	1	-,-	2	11
17	2 609 100 203	Brush-Cover	1	-,-	2	10
18	2 609 110 294	Spring Washer	1	-,-	2	10
19	2 910 611 093	Tapping Screw	1	-,-	3	10
20	2 609 110 490	Tapping Screw	1	-,-	1	10
23	2 910 611 020	Tapping Screw DIN 7981-ST3,9x19-C-H	1	-,-	2	11
24	2 916 650 006	Spring retaining ring DIN 471-15x1-FSt	1	-,-	1	11
37	2 603 490 017	Torx Oval-Head Screw 3x10	1	-,-	2	10
40	2 609 100 247	Air-Deflector Ring	1	-,-	1	13
41	2 609 120 153	Terminal	1	-,-	1	11
42	2 609 110 297	Contact Strap	1	-,-	1	10
43	2 609 120 173	End cap	1	-,-	1	11
52	2 609 110 245	Pressure Spindle	1	-,-	1	11
53	2 609 110 246	Spring Plate	1	-,-	1	10
60	2 609 100 202	Housing Cover	1	-,-	1	20
61	2 609 130 914	Manufacturer's nameplate	1	-,-	1	15
90	2 609 110 741	Plate	1	-,-	1	15
91	2 609 100 248	Button	1	-,-	1	11
92	2 609 110 255	Compression Spring	1	-,-	1	10
93	2 609 110 480	Cover Plate	1	-,-	1	11
94	2 609 110 367	Screw M 3x6	1	-,-	2	10

Item	Part Number	Description	Illustration	Price	Quantity	Price Group
661	2 609 110 438	Single-Head Eng. Wrench SW 17	1	-,-	1	18
802	2 610 008 119	Stator 120V	1	-,-	1	35
803	2 610 008 120	Armature 120V	1	-,-	1	40
808	2 609 131 636	Type Label	N/A	-,-	1	-
810	2 610 008 121	Carbon-Brush Set	1	-,-	1	24
830	2 610 008 122	Collet	1	-,-	1	23
850	2 610 008 123	Bearing Flange	1	-,-	1	33
854	2 609 199 054	Base	2	-,-	1	46
854/2	2 609 100 387	Base Plate	2	-,-	1	23
854/3	2 609 110 378	Shaft	2	-,-	1	24
854/4	2 609 110 379	Toothed Belt Wheel	2	-,-	1	15
854/5	2 609 110 380	Toothed Belt Wheel	2	-,-	1	17
854/6	2 609 170 038	V-Belt	2	-,-	1	21
854/7	2 609 100 386	Cover	2	-,-	1	21
854/8	2 609 110 381	Spring	2	-,-	1	10
854/9	2 609 110 382	Button	2	-,-	1	11
854/10	2 910 861 126	Countersunk-Head Screw	2	-,-	3	10
854/11	2 609 170 047	Cover	2	-,-	1	11
854/12	2 609 110 606	Ball Bearing	2	-,-	2	23
854/13	2 609 110 462	Spring retaining ring	2	-,-	1	19
854/15	2 609 100 389	Cover	2	-,-	1	20
854/20	2 609 110 505	Nut	2	-,-	1	12
854/21	2 609 110 557	Protection Plate	2	-,-	1	17
854/32	2 609 199 041	Clamping Lever	2	-,-	1	17
854/34	2 609 110 289	Hex Nut	2	-,-	1	10
854/35	2 609 110 282	Conical Spring Washer	2	-,-	1	10
854/36	2 609 110 290	Washer	2	-,-	1	10
855	2 610 008 115	Base	2	-,-	1	43
855/2	2 609 110 372	Base Plate	2	-,-	1	18
855/3	2 609 100 381	Base	2	-,-	1	19
855/4	2 609 110 455	Pin	2	-,-	2	10
855/5	2 600 590 006	Ratchet Cap	2	-,-	1	11
855/6	2 609 199 008	Wing Nut	2	-,-	2	11
855/7	2 910 281 201	Round-Head Bolt DIN 603-M6x20	2	-,-	2	10
855/9	2 609 110 483	Pin	2	-,-	1	10
855/16	2 916 011 014	Plain Washer DIN 125-A 6,4-ST	2	-,-	2	10
855/21	2 609 110 347	Screw	2	-,-	4	10
855/32	2 609 199 041	Clamping Lever	2	-,-	1	17
855/34	2 609 110 289	Hex Nut	2	-,-	1	10
855/35	2 609 110 282	Conical Spring Washer	2	-,-	2	10
855/36	2 609 110 290	Washer	2	-,-	1	10
855/51	2 609 110 241	Screw	2	-,-	1	13
855/54	2 609 110 306	Compression Spring DIN 17223, 2076 GRADE B	2	-,-	1	10
856	2 609 199 064	Base	3	-,-	1	18
856/2	2 609 110 457	Adjusting Cam	3	-,-	1	10
856/3	2 609 110 458	Screw	3	-,-	2	10
856/4	2 609 110 459	Adjusting Wrench	3	-,-	1	12
856/7	2 609 110 279	Hexagon-Socket Key	3	-,-	1	12
857	2 610 008 113	Edge Guide	3	-,-	1	29
857/656	2 609 110 364	Screw	3	-,-	1	10
857/657	2 609 199 008	Wing Nut	3	-,-	1	11
857/659	2 609 100 568	Knurled Thumbscrew	3	-,-	1	14
857/662	2 916 011 014	Plain Washer DIN 125-A 6,4-ST	3	-,-	2	10

Item	Part Number	Description	Illustration	Price	Quantity	Price Group
858	2 609 199 110	Edge Guide	3	-,-	1	31
859	2 609 199 063	Edge Guide	3	-,-	1	22
860	2 609 199 102	Base	1	-,-	1	38
860/32	2 609 199 041	Clamping Lever	1	-,-	1	17
860/34	2 609 110 289	Hex Nut	1	-,-	1	10
860/35	2 609 110 282	Conical Spring Washer	1	-,-	2	10
860/36	2 609 110 290	Washer	1	-,-	1	10
860/51	2 609 110 241	Screw	1	-,-	1	13
860/54	2 609 110 306	Compression Spring DIN 17223, 2076 GRADE B	1	-,-	1	10
860/55	2 600 100 621	Shim 0,2 MM	1	-,-	1	11
860/70	2 609 110 307	Base Plate	1	-,-	1	32
860/71	2 609 110 283	Bolt	1	-,-	1	12
860/880	2 610 008 124	Base Plate	1	-,-	1	23
863	2 609 110 438	Single-Head Eng. Wrench SW 17	3	-,-	1	18
864/1	2 609 100 383	Base Plate	3	-,-	1	29
864/2	2 609 100 423	Handle	3	-,-	1	15
864/3	2 609 100 140	Cap-Handle	3	-,-	1	15
864/4	2 609 110 607	Screw	3	-,-	1	12
864/5	2 609 110 548	Nut	3	-,-	1	12
865	2 609 199 114	Knurled Thumbscrew	3	-,-	2	21
866	2 609 199 100	Screw	3	-,-	2	11
868	2 609 110 553	Screw	3	-,-	4	10
869	2 610 907 746	Adapter	3	-,-	1	20
870	2 609 100 384	Dust Chamber	3	-,-	1	20
871	2 609 100 385	Chute	3	-,-	1	21

## Product information Router - 3 601 F0A 710 - PR 20 EVS

Product No	3 601 F0A 710
Description	251.577; Router
DIN-Text	
ID_Text_Ext	0
Trading_Description	PR 20 EVS
Voltage_1	120 V
ID_Country_Product	USA

Illustration - Type E

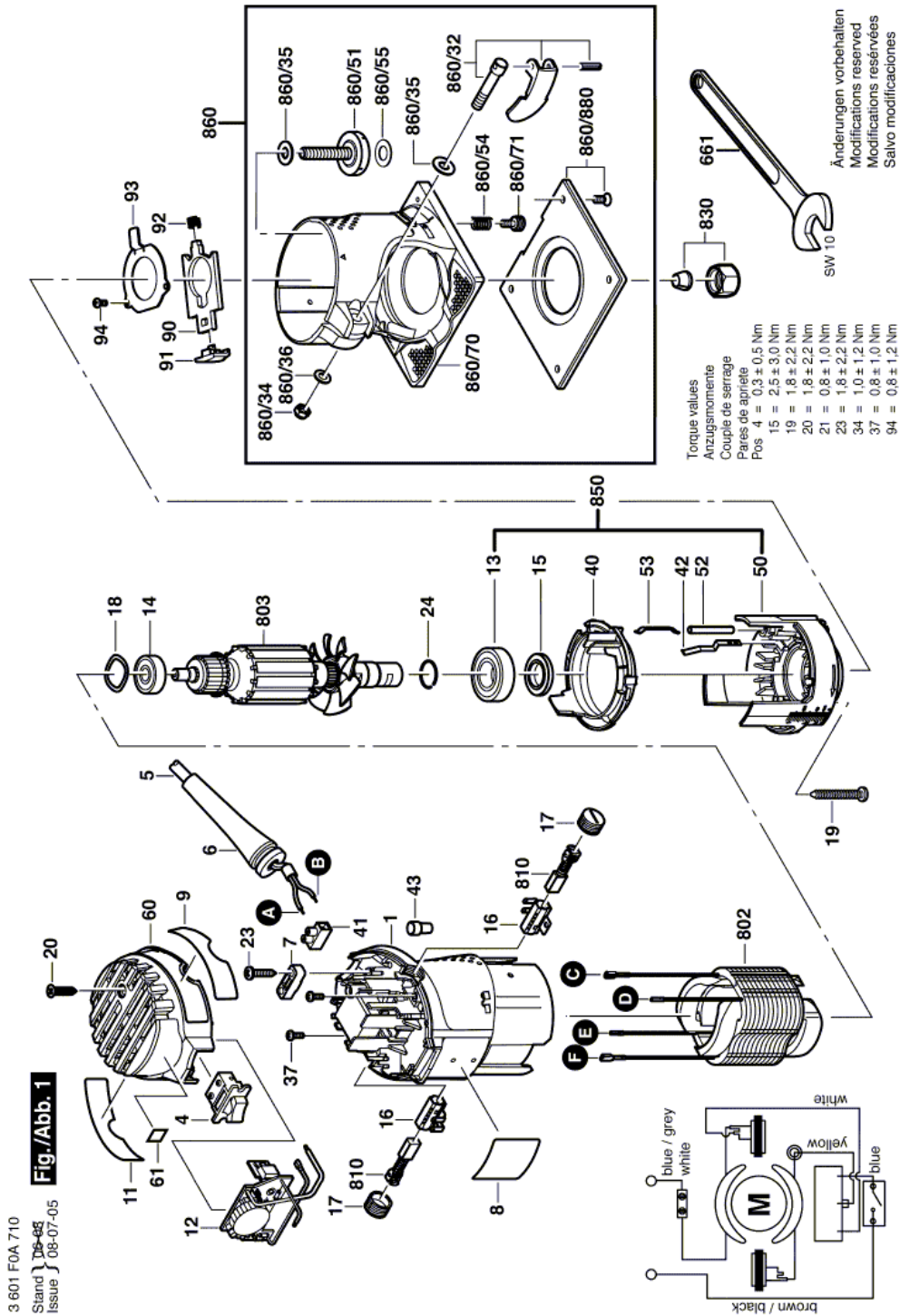
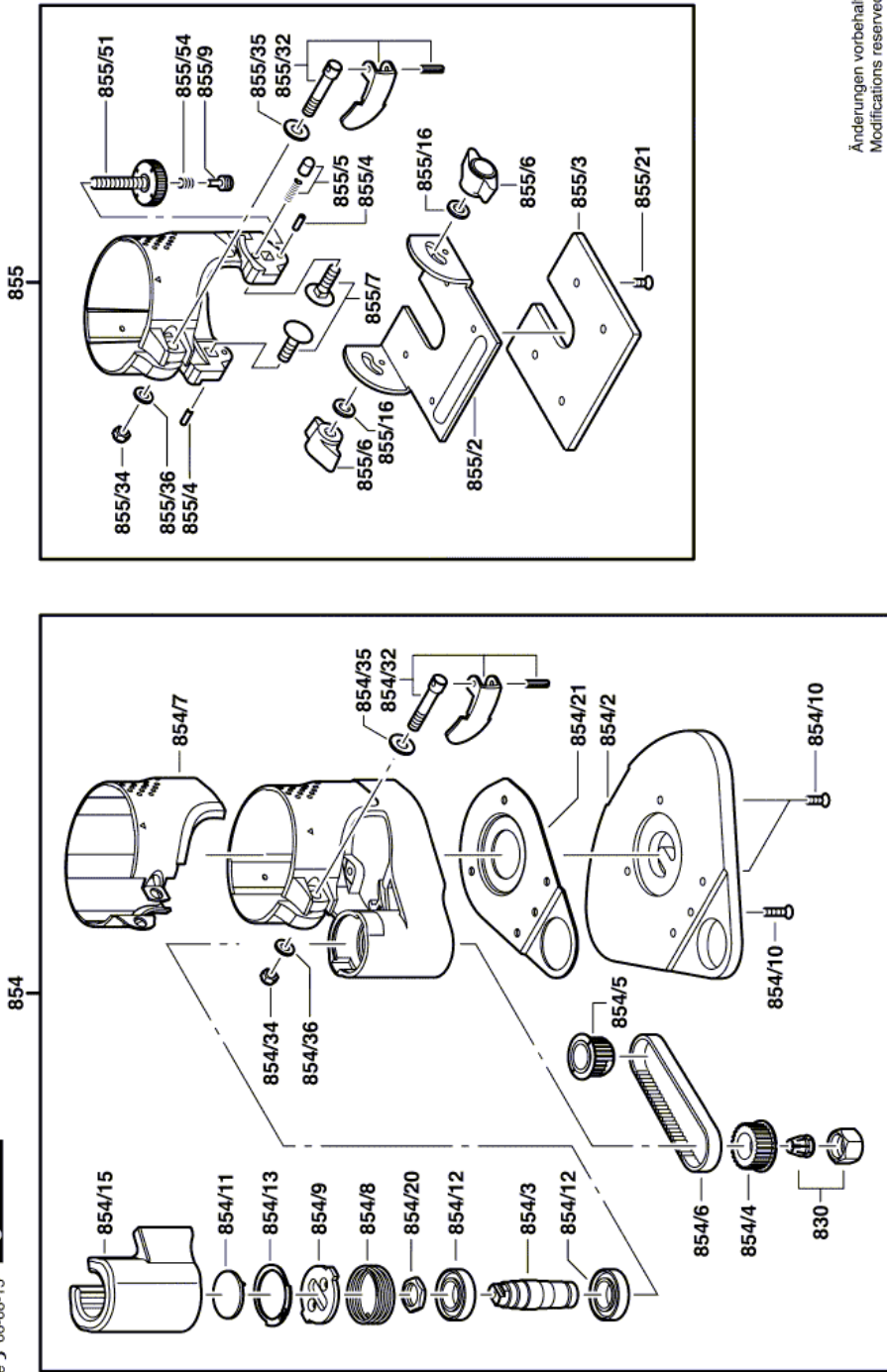


Illustration - Type E

3 601 F0A 710  
 Stand }  
 Issue } 06-08-15

**Fig./Abb. 2**

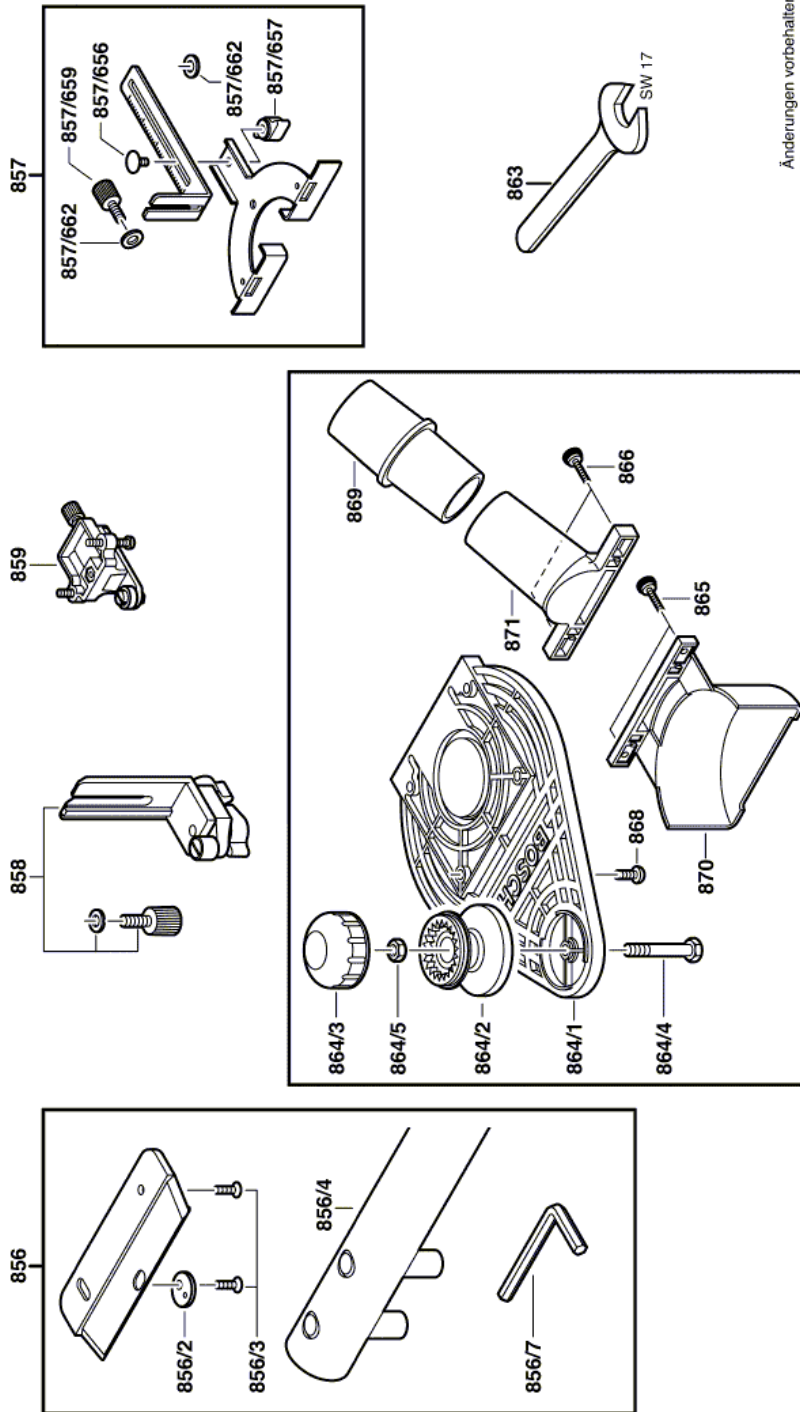


Änderungen vorbehalten  
 Modifications reserved  
 Modifications réservées  
 Salvo modificaciones

Illustration - Type E

3 601 F0A 710  
 Stand }  
 Issue } 08-07-05

**Fig./Abb. 3**



Änderungen vorbehalten  
 Modifications reserved  
 Modifications réservées  
 Salvo modificaciones

Information subject to change without further notice.