

Router - 0 603 261 934 - POF 50

www.powertools-aftersaleservice.com



BOSCH

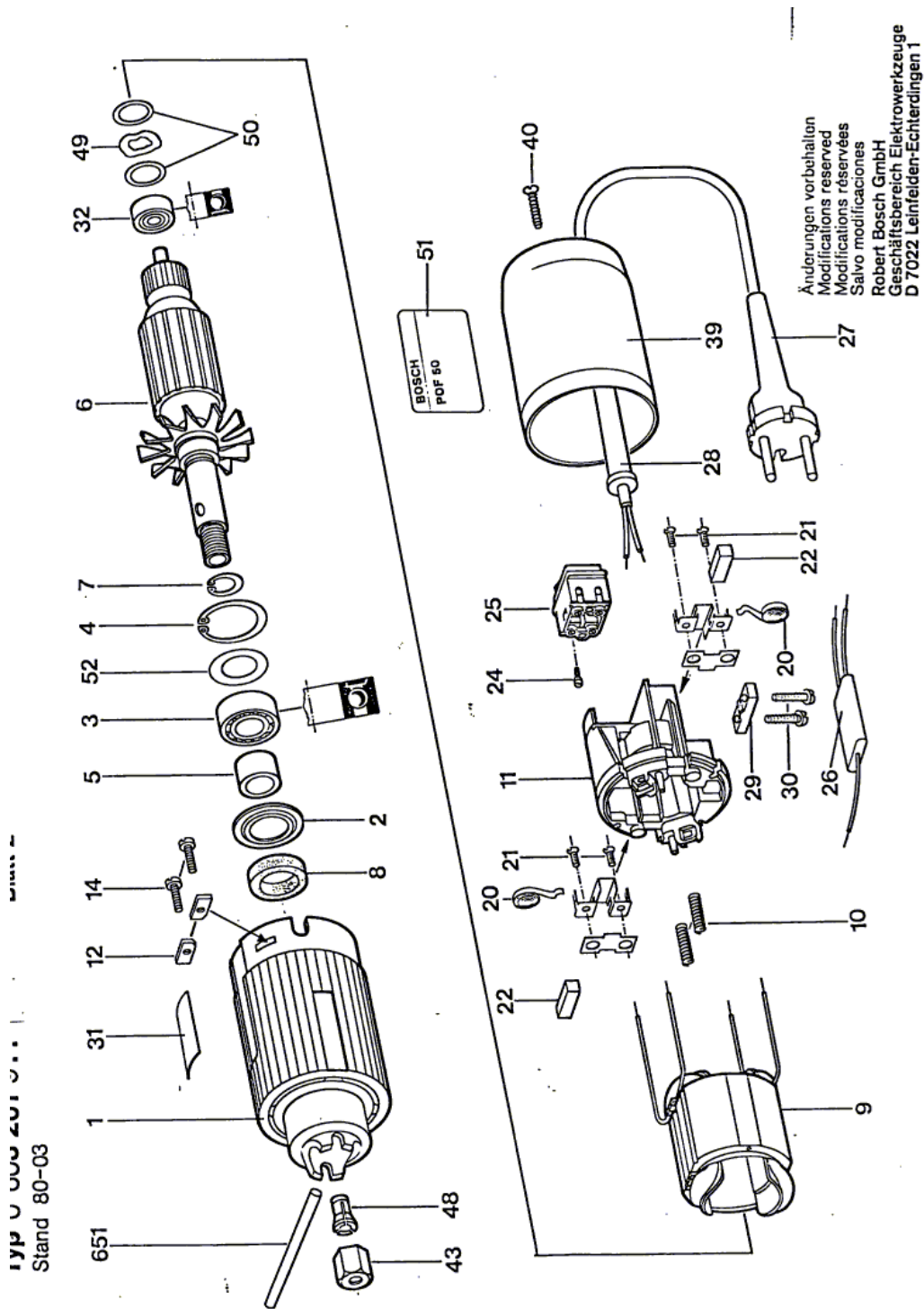
Item	Part Number	Description	Illustration	Price	Quantity	Price Group
1	2 605 102 014	Motor Housing GREEN	1	-,-	1	-
2	2 600 500 033	Cupped Washer	1	-,-	1	11
3	2 600 905 005	Deep-Groove Ball Bearing Ø 8 MM	1	-,-	1	-
4	2 916 660 013	Spring retaining ring DIN 472-32x1,2 MM	1	-,-	1	11
5	2 600 300 062	Bushing	1	-,-	1	12
6	2 604 010 353	Armature With Fan 115V	1	-,-	1	-
7	2 916 650 006	Spring retaining ring DIN 471-15x1-FSt	1	-,-	1	11
8	2 600 108 033	Felt Washer	1	-,-	1	11
9	2 604 220 249	Pole Shoe 115V	1	-,-	1	-
10	2 604 611 024	Compression Spring	1	-,-	2	11
11	2 605 808 900	Commutator End Shield BLUE	1	-,-	1	-
12	2 603 320 001	Square Nut M4	1	-,-	2	11
14	2 910 021 122	Socket head cap screw DIN 84-AM4x12-8.8	1	-,-	2	10
20	1 604 652 004	Spiral Spring	1	-,-	2	11
21	2 910 601 004	Tapping Screw DIN 7972-BZ2,9x6,5	1	-,-	4	-
22	1 604 321 900	Carbon Brush	1	-,-	1	19
24	2 603 410 001	Socket head cap screw M3x6,5-4.8	1	-,-	4	11
25	2 607 200 048	On-Off Switch	1	-,-	1	27
27	2 604 460 056	Power supply cord	1	-,-	1	-
28	2 600 703 011	Grommet Ø8,3-Ø9,4x95 MM	1	-,-	1	13
28	2 600 703 012	Grommet Ø6,5-Ø6,9x95 MM	1	-,-	1	13
28	2 600 703 013	Grommet Ø7,6-Ø8,2x95 MM	1	-,-	1	13
29	2 601 035 001	Cable Clip	1	-,-	1	11
30	2 603 490 021	Torx Oval-Head Screw 4x12	1	-,-	2	10
31	2 601 100 038	Nameplate	1	-,-	1	11
32	1 900 905 019	Deep-Groove Ball Bearing 6x19x6	1	-,-	1	26
39	2 600 508 008	Housing Cover GREEN	1	-,-	1	-
39	2 600 508 028	Housing Cover BLUE	1	-,-	1	-
40	2 910 601 020	Rec ct-sunk tapping screw BZ 3,9x19 DIN 7972	1	-,-	1	-
43	2 603 312 001	Union Nut SW 14	1	-,-	1	16
48	2 608 570 065	Collet Ø 6 MM / Ø 8 MM	1	-,-	1	-
48	2 608 570 066	Collet Ø 6,4 MM=1/4"/Ø 8 MM	1	-,-	1	-
49	2 600 150 003	Shim	1	-,-	1	11

Item	Part Number	Description	Illustration	Price	Quantity	Price Group
50	2 600 101 655	Shim 0,2 MM	1	-,-	1	-
50	2 600 101 656	Shim 0,3 MM	1	-,-	1	11
50	2 600 101 657	Shim 0,5 MM	1	-,-	1	-
51	2 601 110 238	Sticker	1	-,-	1	-
52	1 600 102 626	Shim 0,1 MM THICK	1	-,-	2	10
100	2 607 030 900	Milling Fixture	N/A	-,-	1	41
101	2 608 000 014	Base Plate	N/A	-,-	1	34
102	2 604 617 001	Compression Spring	N/A	-,-	2	11
103	2 601 010 052	Depth Measure	N/A	-,-	1	12
104	1 603 480 003	Wing Screw	N/A	-,-	2	11
105	2 608 005 014	Guide Plate	N/A	-,-	1	31
106	1 603 501 018	Knurled Thumbscrew	N/A	-,-	1	14
107	2 603 345 015	Adjusting Nut	N/A	-,-	2	13
108	2 604 611 008	Compression Spring	N/A	-,-	1	11
109	1 603 129 014	Detent Pin	N/A	-,-	1	18
110	2 911 001 258	Hex Screw DIN 931-M8x60-8.8	N/A	-,-	1	13
111	1 603 349 014	Star Knob	N/A	-,-	1	15
112	2 603 200 020	Pressure Spindle	N/A	-,-	1	11
113	1 603 481 001	Handle BLACK	N/A	-,-	2	-
114	1 601 110 013	Manufacturer's nameplate	N/A	-,-	1	11
115	2 916 011 884	Plain Washer DIN 9021-A6,4-ST	N/A	-,-	2	11
116	2 910 011 191	Socket head cap screw DIN 84-AM6x16-5.8	N/A	-,-	2	10
117	2 916 011 015	Plain Washer 8,4 DIN 433-ST	N/A	-,-	1	10
650	1 907 950 508	Single-Head Eng. Wrench SW 14	N/A	-,-	1	25
651	2 603 101 035	Straight Pin 4x60 MM	1	-,-	1	11
654	2 602 053 000	Tool Guide	N/A	-,-	1	-
655	2 607 000 032	Guide Plate	N/A	-,-	1	-
656	2 910 761 197	Countersunk-Head Screw M 6x16 DIN 963-4.8	N/A	-,-	1	10
657	2 910 011 191	Socket head cap screw DIN 84-AM6x16-5.8	N/A	-,-	2	10
658	2 603 102 007	Guiding bolt	N/A	-,-	1	13
659	2 607 000 067	Edge Guide	N/A	-,-	1	-
660	1 603 480 003	Wing Screw	1	-,-	2	11
661	2 607 000 033	Fluid-Level Gauge	N/A	-,-	1	-
662	2 607 000 031	Guide Roller	N/A	-,-	1	-
663	2 915 011 007	Hex Nut DIN 934-M6-8-A	N/A	-,-	2	10
665	2 601 332 007	Guide-Plate	N/A	-,-	1	15
669	1 608 857 615	Wood Cutter Ø 6,0 MM	N/A	-,-	1	-
669	1 609 200 355	Wood Cutter Ø 1/4 MM	N/A	-,-	1	-
888	1 601 106 032	Nameplate 26x52 MM	N/A	-,-	1	13

Product information Router - 0 603 261 934 - POF 50

Product No	0 603 261 934
Description	251.577; Router
DIN-Text	
ID_Text_Ext	0
Trading_Description	POF 50
Voltage_1	115 V
ID_Country_Product	USA

Illustration - Type E



Information subject to change without further notice.