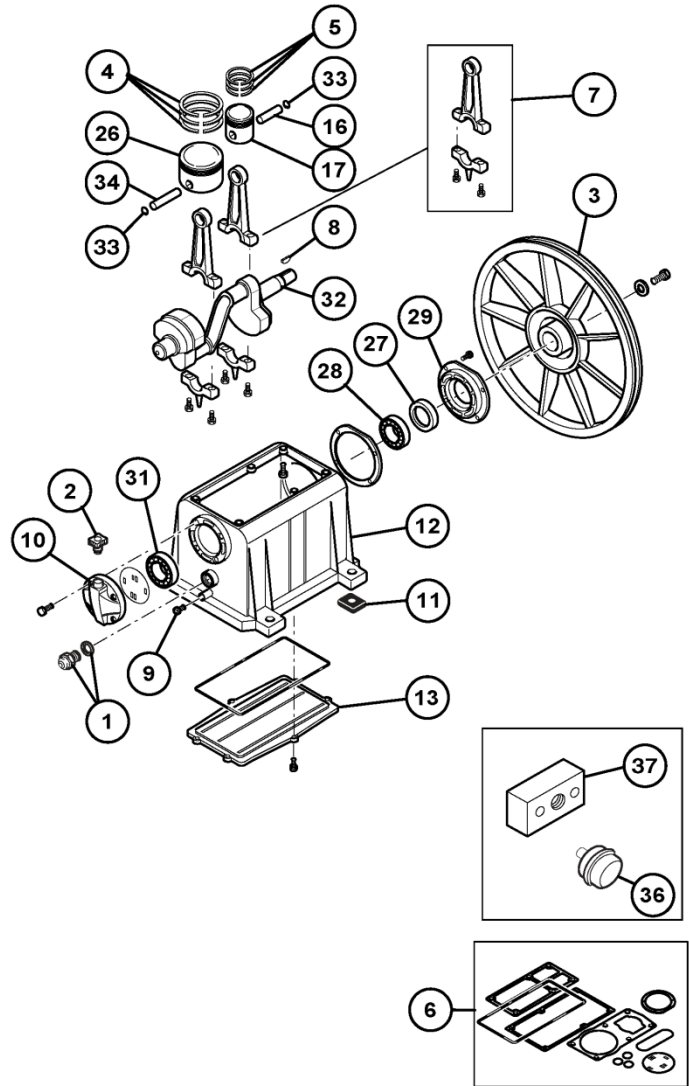
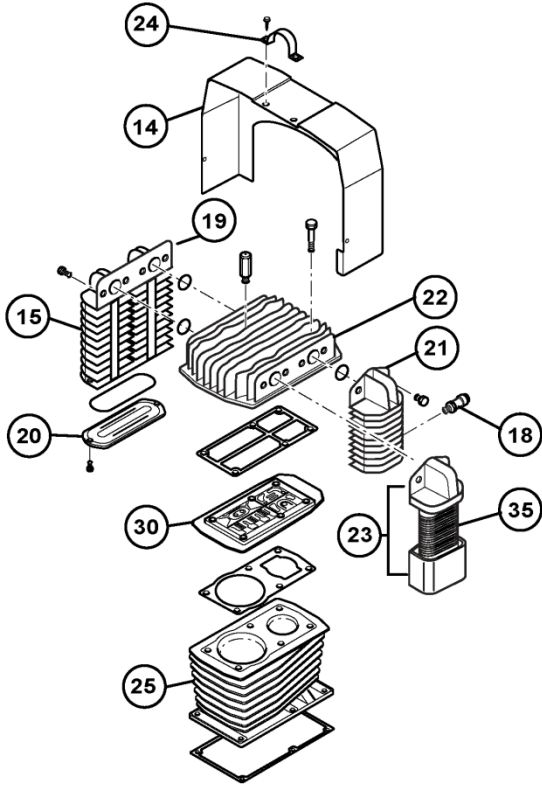
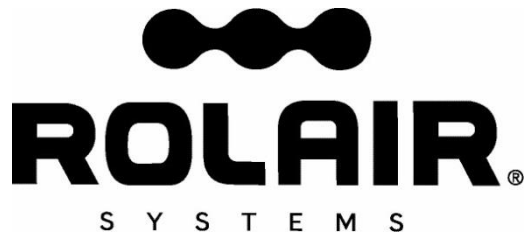


# ROLAIR®

SCHMATIC FOR MODEL  
PMP22BK119





**PARTS LIST FOR PMP22BK119**

Schematic #	Description	Part #	Qty.
1	Sight Gauge	FC012031000	1
2	Breather/Oil Fill Plug	U1110	1
3	Flywheel	FC113178007	1
4	Ring Set – LP	FC213129001	1
5	Ring Set – HP	FC213129002	1
6	Gasket Set	FC213153020	1
7	Connecting Rod	FC413125016	2
8	Keystock	FC018008000	1
9	Oil Drain Plug	FC011001000	1
10	End Cover	FC113141006	1
11	Mounting Pad	FC113141028	4
12	Crankcase	FC113153013	1
13	Lower Cover	FC113153007	1
14	Shroud	FC113178004	1
15	Intercooler Assembly	FC013141042	1
16	Piston Pin – HP	FC113141030	1
17	Piston – HP	FC113141029	1
18	Safety Valve – Aftercooler	FC047002000	1
19	Safety Valve – Intercooler	FC047086000	1
20	Intercooler Connector	FC113141040	1
21	Aftercooler	FC113163025	1
22	Head	FC113179014	1
23	Intake Filter Assembly	FC317071000	1
24	Lift Bracket	FC113178011	1
25	Cylinder	FC113179001	1
26	Piston – LP	FC113129023	1
27	Oil Seal	FC010008000	1
28	Ball Bearing	FC033015000	1
29	Bearing Carrier	FC113141046	1
30	Valve Plate Assembly	FC413153004	1
31	Ball Bearing	FC033027000	1
32	Crankshaft	FC113178006	1
33	Snap Ring	FC015013000	4
34	Piston Pin – LP	FC113125022	1
35	Filter Element Only	FC113178013	1
36	Metal Canister Intake Assembly	FS10100	1
37	BK119 Intake Flange	NPTFLANGE1.0	1



606 South Lake Street > P.O. Box 346 > Hustisford, WI 53034-0346 > 920.349.3281 > fax 920.349.8861 > [www.rolair.com](http://www.rolair.com)