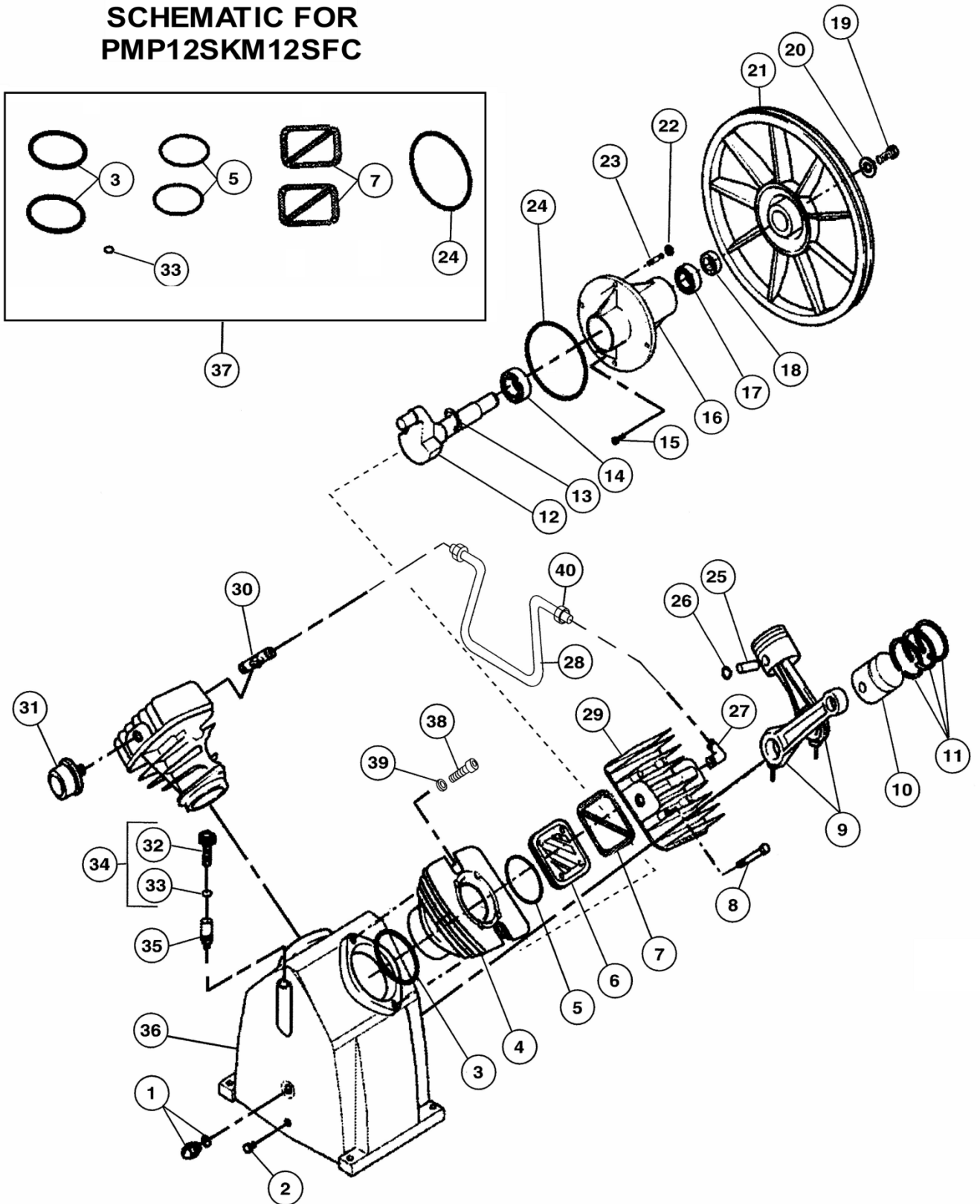
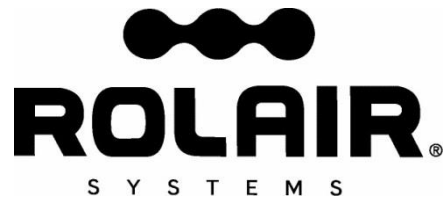




ROLAIR®

SCHEMATIC FOR PMP12SKM12SFC





PARTS LIST FOR PMP12SKM12SFC

Schematic #	Description	Part #	Qty.
1	Sight Gauge	FC012084000	1
2	Drain Plug	FC012022000	1
3	O-Ring	FC010127000	2
4	Cylinder	FC113181001	2
5	O-Ring	FC010056000	2
6	Valve Plate Assembly	FC413175003	2
7	Gasket	FC116091013	2
8	Bolt	FC014002041	8
9	Connecting Rod	FC113181002	2
10	Piston	FC113165013	2
11	Ring Set - One Piston	FC216025002	2
12	Crankshaft	FC113181003	1
13	C-Clip	FC015020000	1
14	Bearing	U1114	1
15	Screw	FC017017007	1
16	Bearing Carrier	FC113172002	1
17	Bearing	FC033006000	1
18	Oil Seal	FC010183000	1
19	Bolt - Left-Hand Thread	FC014001052	1
20	Washer	FC014005001	1
21	Flywheel	FC013181004	1
22	Nut	FC014003001	4
23	Bolt	FC113125043	4
24	O-Ring	FC113172007	1
25	Piston Pin	FC116025006	2
26	Snap Ring	FC015023000	4
	Bushing - Between 25 & 26	FC199175002	4
27	Elbow	FC011685000	1
28	Connection Tube	FC113181005	1
29	Head	FC113175003	2
30	Tee	FC011000122	1
31	Intake Filter Assembly	317013000F	2
	Filter Element	317013004FE	2
32	Oil Fill Cap	FC012047000	1
33	O-Ring	FC010024000	1
34	Oil Fill Cap Assembly	FC312047000	1
35	Oil Fill Spacer	FC113172009	1
36	Crankcase	FC113172001	1
37	Gasket Set	FC213175001	1
38	Bolt	FC014001048	4
39	Lock Washer	FC014008005	4
40	Nut	FC199438000	2

