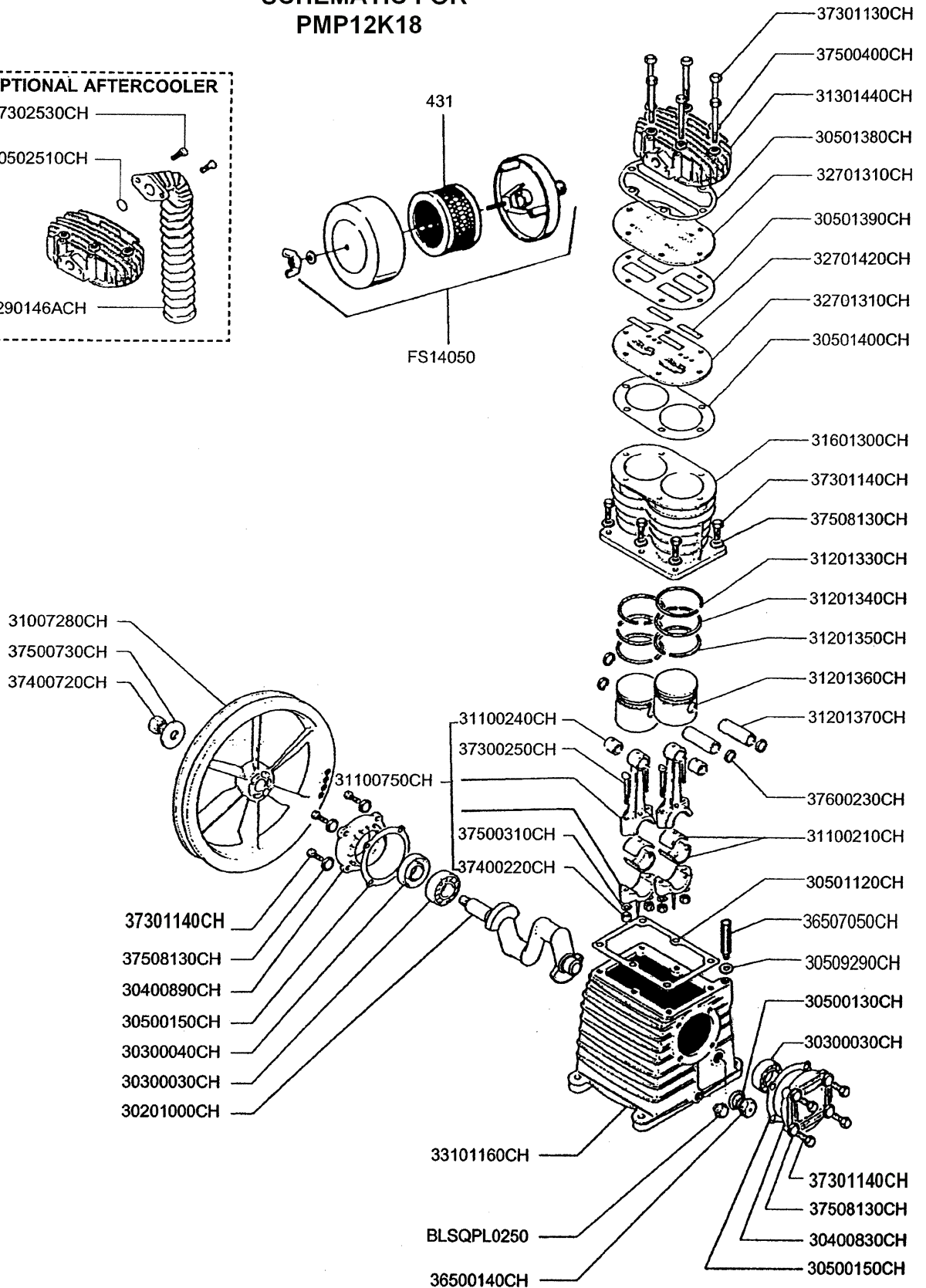
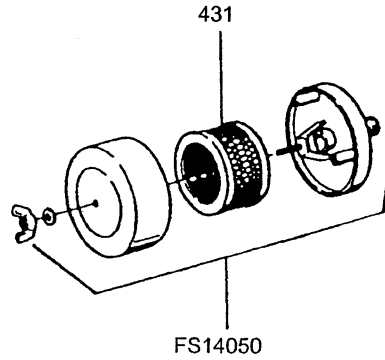
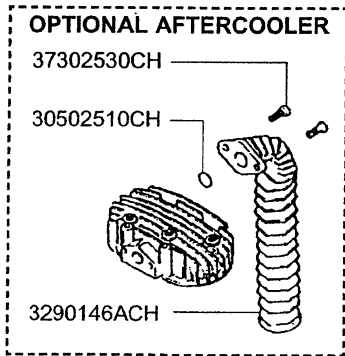
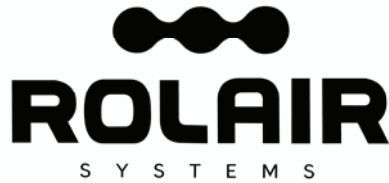


ROLAIR

SCHEMATIC FOR PMP12K18





PARTS LIST FOR PMP12K18

| Description | Part # | Qty. | Description | Part # | Qty. |
|--------------------------------|------------|------|---|------------|------|
| Crankshaft | 30201000CH | 1 | Valve | 32701420CH | 4 |
| Bearing | 30300030CH | 2 | Crankcase | 33101160CH | 1 |
| Oil Seal | 30300040CH | 1 | Sight Gauge | 36500140CH | 1 |
| Bearing Carrier | 30400830CH | 1 | 3/8" Breather/Oil Fill | 36507050CH | 1 |
| Bearing Carrier | 30400890CH | 1 | Plug | | |
| Gasket | 30500130CH | 1 | Bolt | 37300250CH | 4 |
| Gasket | 30500150CH | 2 | Bolt | 37301130CH | 6 |
| O-Ring | 30509290CH | 1 | Bolt | 37301140CH | 6 |
| Gasket | 30501120CH | 1 | Nut | 37400220CH | 4 |
| Gasket | 30501380CH | 1 | Nut | 37400720CH | 1 |
| Gasket | 30501390CH | 1 | Washer | 37500310CH | 4 |
| Gasket | 30501400CH | 1 | Washer | 37500400CH | 6 |
| Flywheel | 31007280CH | 1 | Washer | 37500730CH | 1 |
| Bearing Shell | 31100210CH | 2 | Washer | 37508130CH | 14 |
| Bushing* | 31100240CH | 2 | Snap Ring | 37600230CH | 4 |
| Connecting Rod w/Upper Bushing | 31100750CH | 2 | Filter Element | 431 | 1 |
| Ring | 31201330CH | 2 | Plug | BLSQPL0250 | 1 |
| Ring | 31201340CH | 2 | Silencer/Filter Assembly | FS14050 | 1 |
| Ring | 31201350CH | 2 | Ring Set | K18RINGS | 1 |
| Piston | 31201360CH | 2 | Gasket Set | K18GASKETS | 1 |
| Piston Pin | 31201370CH | 2 | Valve Plate Assembly | 1800VK18 | 1 |
| Head | 31301440CH | 1 | | | |
| Cylinder | 31601300CH | 1 | | | |
| Valve Plate | 32701310CH | 2 | | | |
| OPTIONS- | | | NOTE: Gasket for "old-style" Aftercooler | 30501490CH | 1 |
| O-Ring | 30502510CH | 1 | | | |
| Aftercooler | 3290146ACH | 1 | | | |
| Bolt | 37302530CH | 2 | | | |

*Bushing is not machined to fit piston pin if ordered separate from connecting rod.

