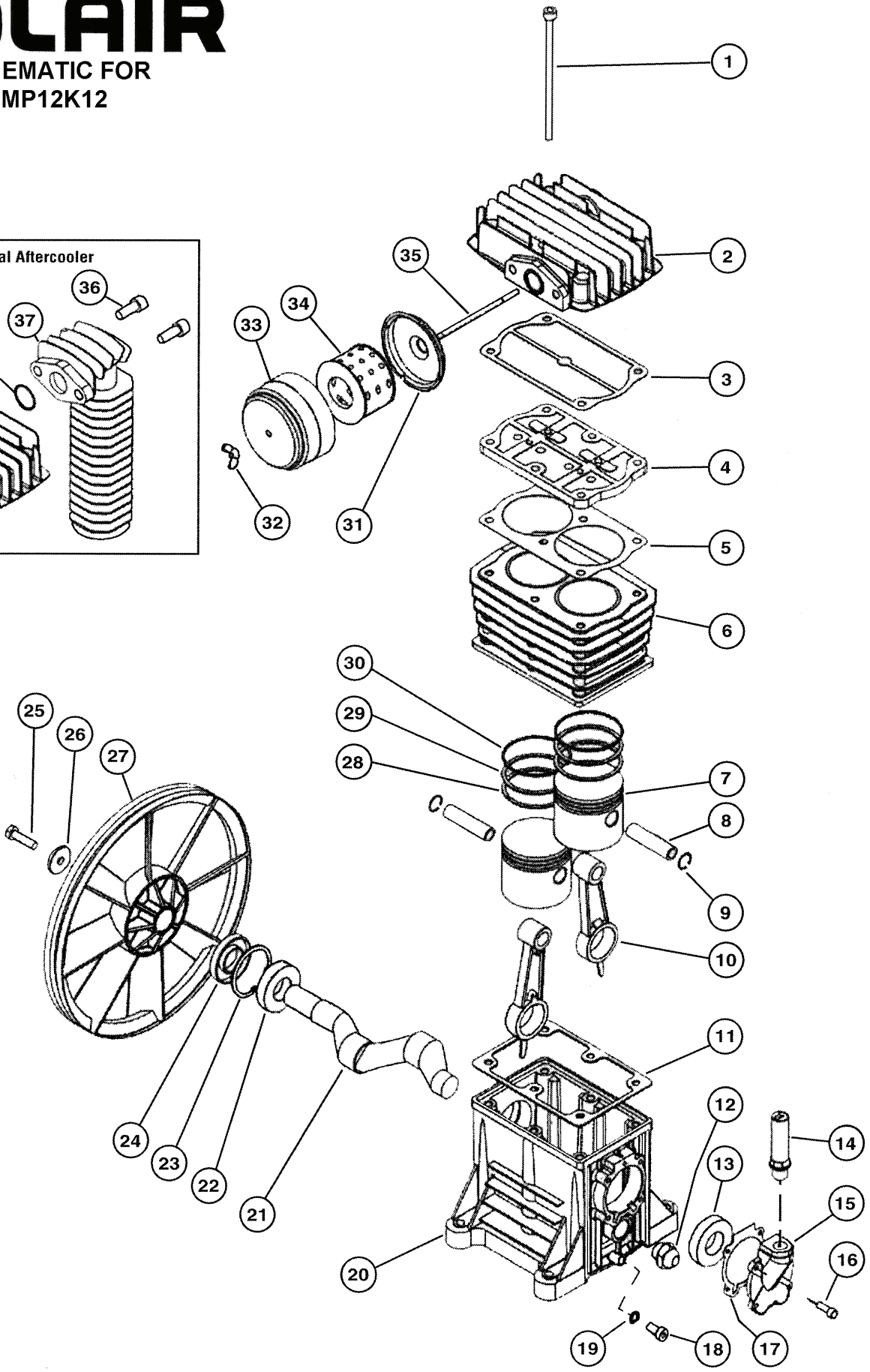
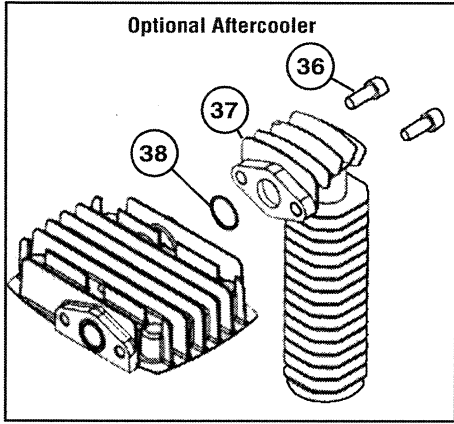
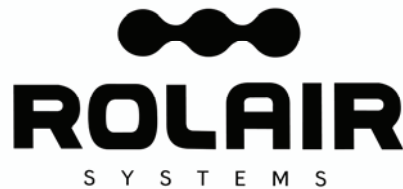


ROLAIR

SCHMATIC FOR
PMP12K12





PARTS LIST FOR PMP12K12

Schematic #	Description	Part #	Qty.
1	Bolt	37306930CH	6
2	Head	31306820CH	1
3	Gasket	30506900CH	1
4	Valve Plate Assembly	32706840CH	1
5	Gasket	30506890CH	1
6	Cylinder	31600700CH	1
7	Piston	31200270CH	2
8	Piston Pin	31200260CH	2
9	Snap Ring	37600230CH	4
10	Connecting Rod	31106860CH	2
11	Gasket	30501910CH	1
12	Sight Gauge	36500140CH	1
13	Bearing	30300030CH	1
14	3/8" Breather/Oil Fill Plug	36507050CH	1
15	Bearing Carrier	30406830CH	1
16	Bolt	17300570CH	4
17	Gasket	30506870CH	1
18	Drain Plug	37303340CH	1
19	Washer	37508130CH	1
20	Crankcase	33101600CH	1
21	Crankshaft	3020685ACH	1
22	Bearing	30300030CH	1
23	Snap Ring	37607530CH	1
24	Oil Seal	30307540CH	1
25	Bolt	37335610CH	1
26	Washer	37508090CH	1
27	Flywheel	31007280CH	1
28	Ring	31200280CH	2
29	Ring	31200290CH	2
30	Ring	31200300CH	2
31	Base Plate	35600420CH	1
32	Wing Nut	37400450CH	1
33	Filter Cover	35600440CH	1
34	Intake Element	35600430CH	1
35	Rod	37301410CH	1
36	OPTIONAL: Bolt	37302530CH	2
37	Aftercooler	3290146ACH	1
38	O-Ring	30502510CH	1
	KITS: Ring Set (2 each of items 28, 29 and 30)	K12RINGS	1
	Gasket Set (items 3, 5, 11 and 17)	K12GASKETS	1
	NOTE: Gasket for "old-style" option	30501490CH	1

