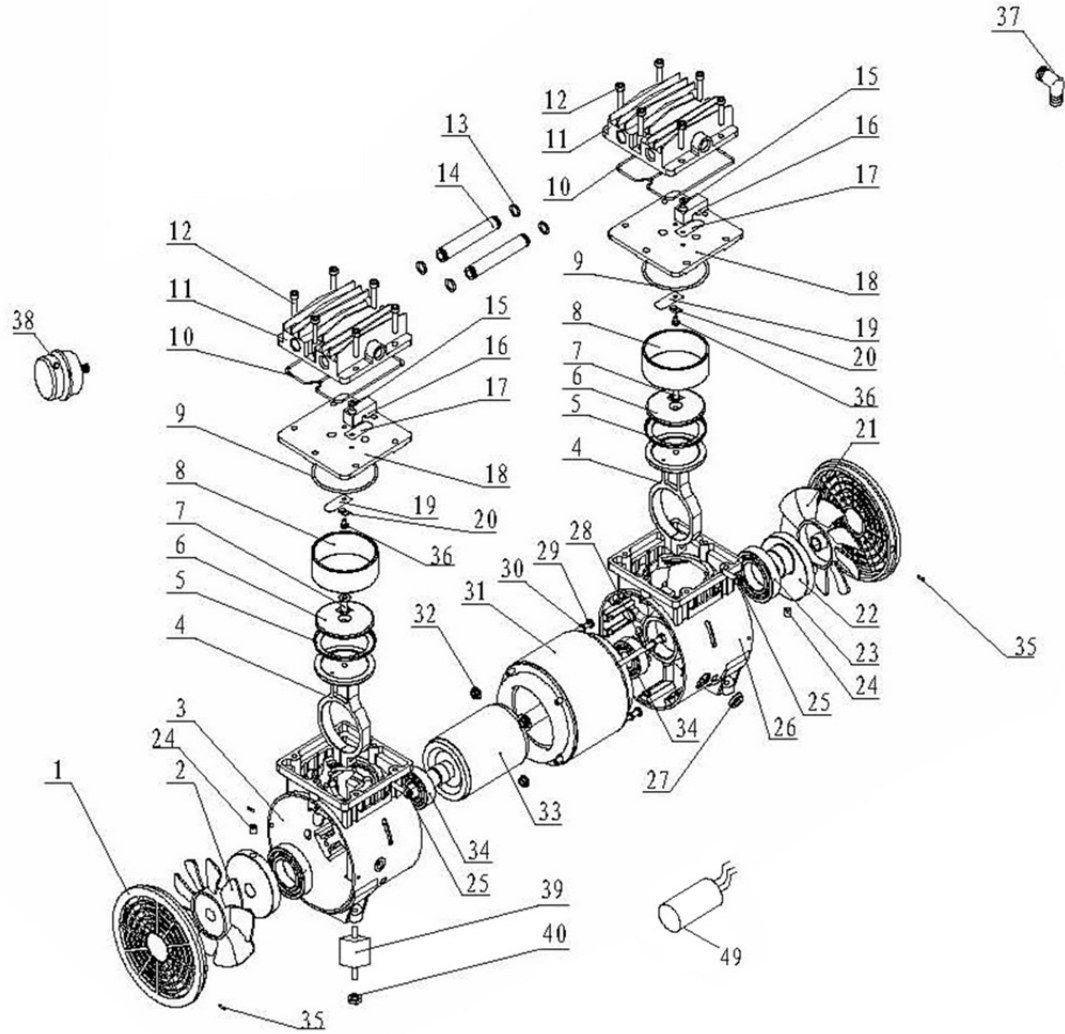
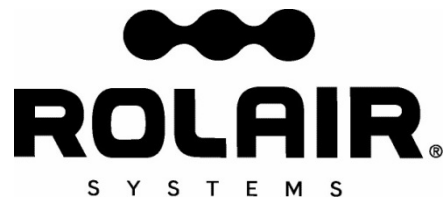


ROLAIR
SCHEMATIC FOR
PMP12JC8 OEM





PARTS LIST FOR PMP12JC8 OEM

Schematic #	Description	Part #	Qty.
1	Motor Cover	JC800-1	2
2	Fan (left side only)	JC800-2	1
3	Crankcase (left side only)	JC800-3	1
4	Connecting Rod	JC800-4	2
5	Piston Ring	JC800-5	2
6	Piston Cap	JC800-6	2
7	Cap Bolt	JC800-7	2
8	Cylinder	JC800-8	2
9	O-Ring	JC800-9	2
10	Head Gasket	JC800-10	2
11	Head	JC800-11	2
12	Head Bolt	JC800-12	12
13	O-Ring	JC800-13	4
14	Connecting Tube	JC800-14	2
15	Bolt	JC800-15	2
16	Valve Stop	JC800-16	2
17	Valve – Exhaust	JC800-17	2
18	Valve Plate	JC800-18	2
19	Valve – Intake	JC800-19	2
20	Washer	JC800-20	2
21	Fan (right side only)	JC800-21	1
22	Eccentric	JC800-22	2
23	Bearing	JC800-23	2
24	Setscrew	JC800-24	2
25	Bolt – Con Rod	JC800-25	2
26	Crankcase (right side only)	JC800-26	2
27	Box Connector	JC800-27	1
28	Bolt	JC800-28	2
29	Bolt	JC800-29	2
30	Washer	JC800-30	4
31	Stator	JC800-31	1
32	Nut	JC800-32	4
33	Rotor	JC800-33	1
34	Bearing	JC800-34	2
35	Screw	JC800-35	4
36	Screw	JC800-36	2
37	Elbow	JC800-37	1
38	Air Filter Assembly	JC800-38	1
39	Vibration Dampener	JC800-39	4
40	Nut	JC800-40	4
49	Capacitor	JC800-49	1

