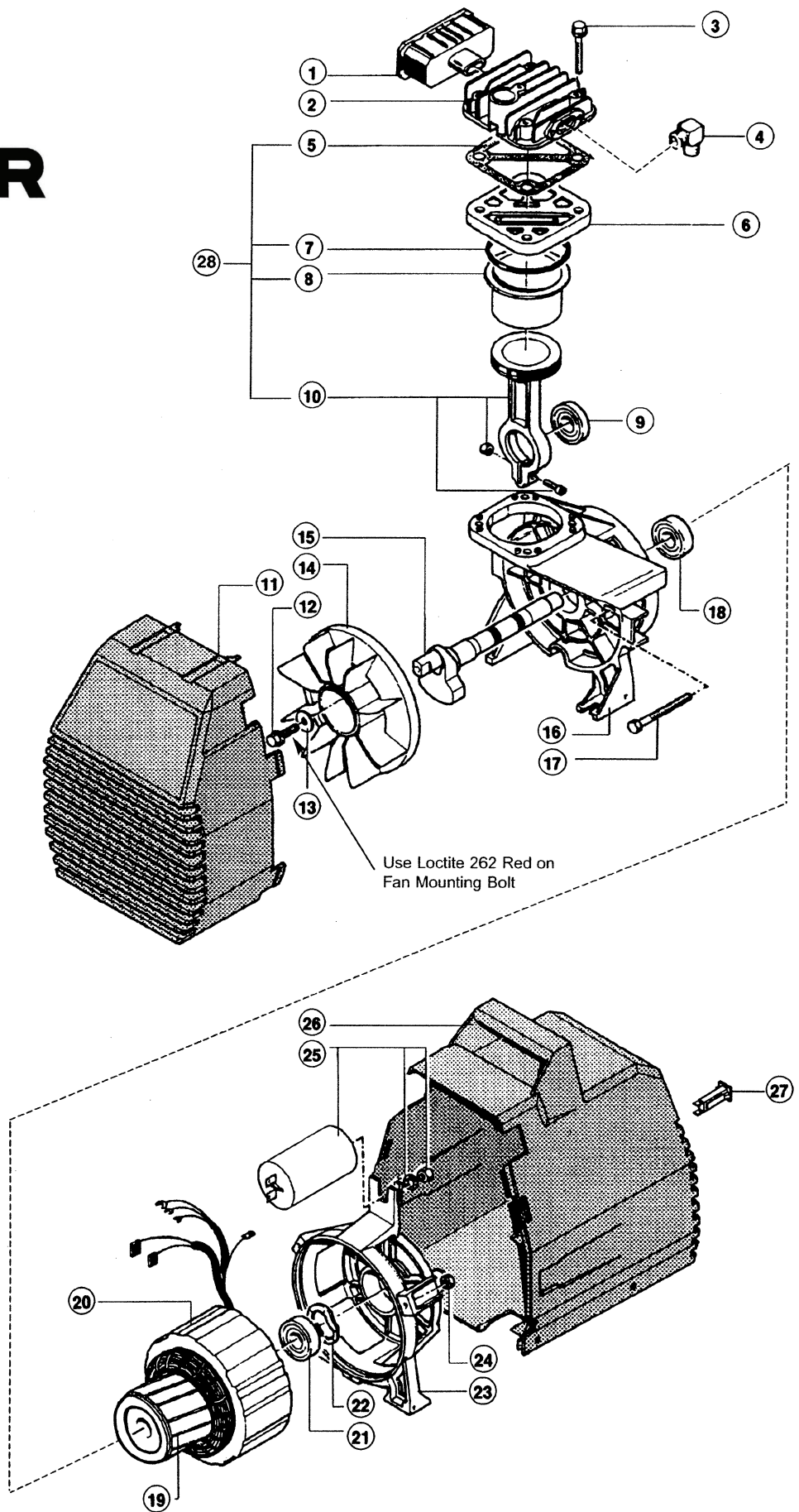
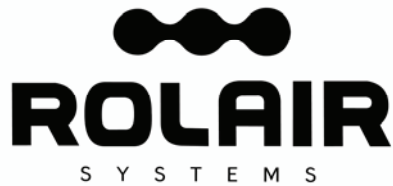


ROLAIR

SCHEMATIC FOR
PMP110L202FI





PARTS LIST FOR PMP110L202FI

Schematic #	Description	Part #	Qty.
1	Intake Filter	317028000F	1
2	Head	116005031F	1
3	Bolt	014013027F	4
4	Brass Elbow	BREL0500X037539	1
5	Gasket	116005017F	1
6	Valve Plate Assembly	416005009F	1
7	O-Ring	010057000F	1
8	Cylinder	016005007F	1
9	Bearing	033059000F	1
10	Connecting Rod/Piston Assembly	416005002F	1
11	Fan Cover	116005010F	1
12	Bolt	014002027F	1
13	Washer	116010013F	1
14	Fan	116010004F	1
15	Crankshaft	116010006F	1
16	Crankcase	016010025F	1
17	Bolt	014002122F	3
18	Bearing	033028000F	1
19	Rotor	034128000F	1
20	Stator	316006641F	1
21	Bearing	033070000F	1
22	Ring	027011000F	1
23	Motor Housing	016010016F	1
24	Nut	014004001F	1
25	Capacitor	009200035F	1
26	Shroud	116005030F	1
27	Manual Reset Button	008055000F	1
28	Repair Kit Includes: O-Ring, Cylinder, Gasket, Piston (Items 5,7,8 & 10)	OL202REPKIT	1

