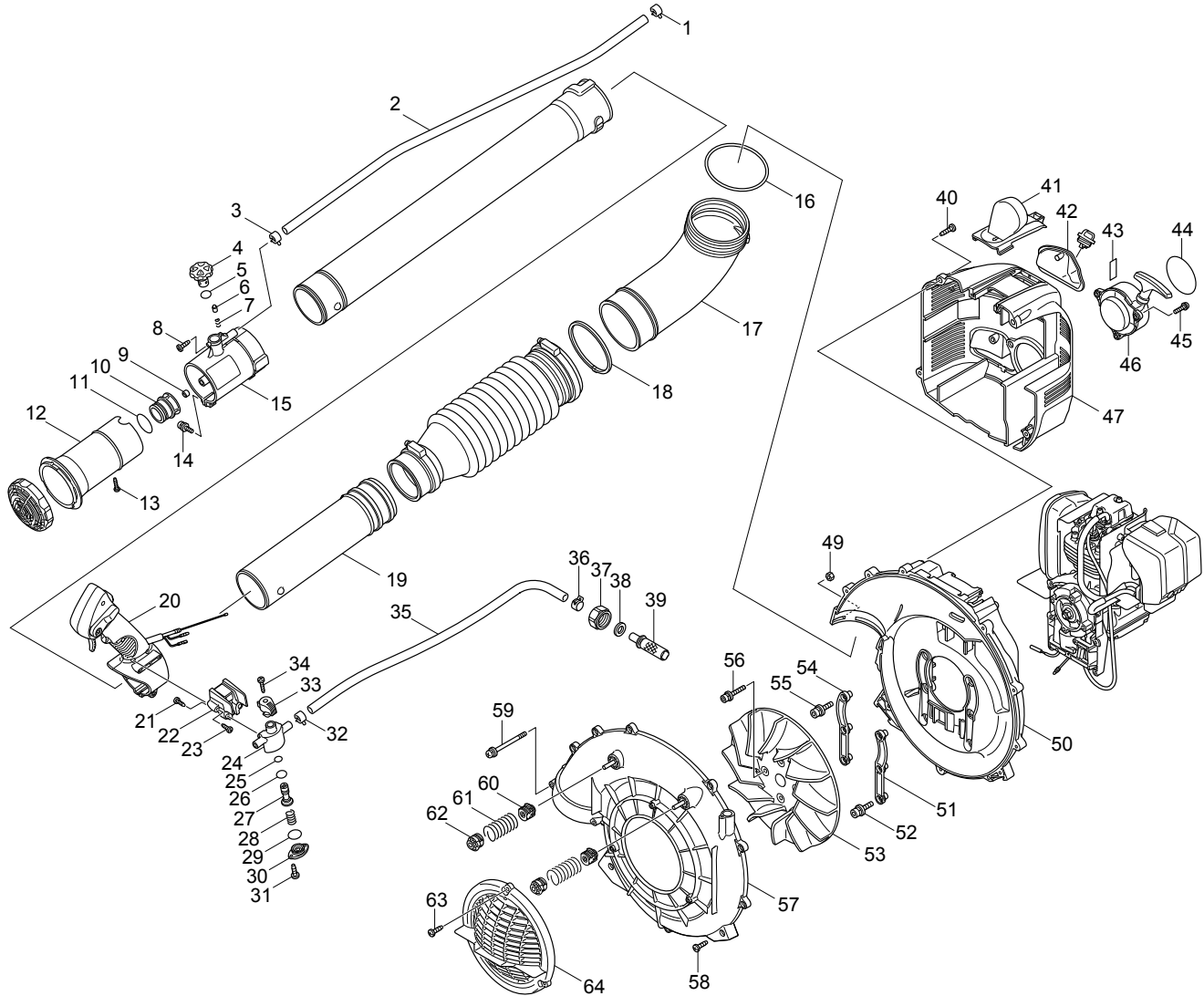
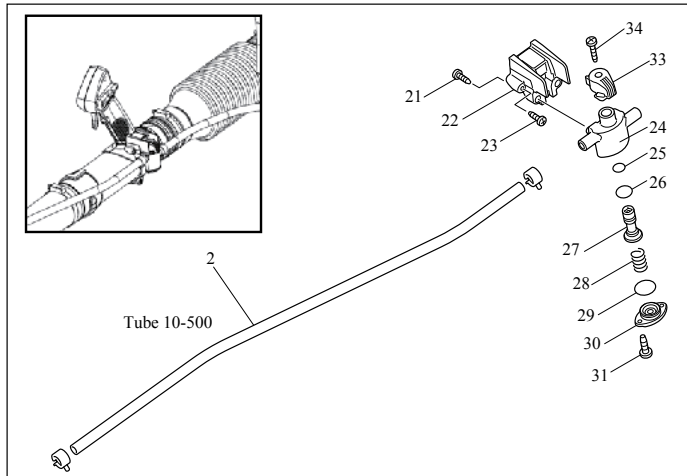




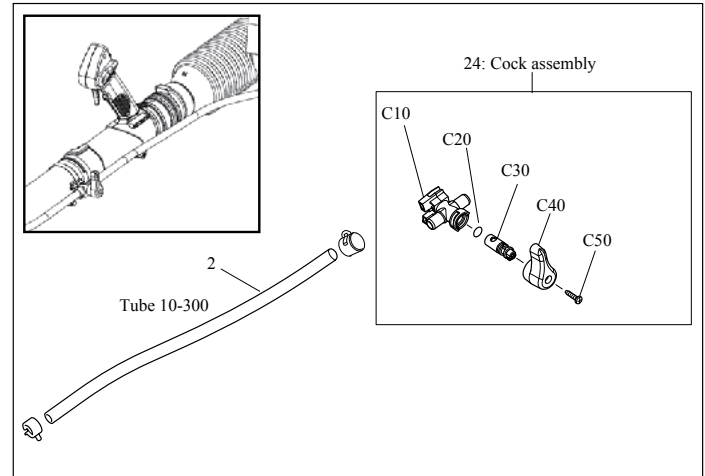
**PM7650H**



Prior to Feb 2015 Production



From Feb 2015 Production

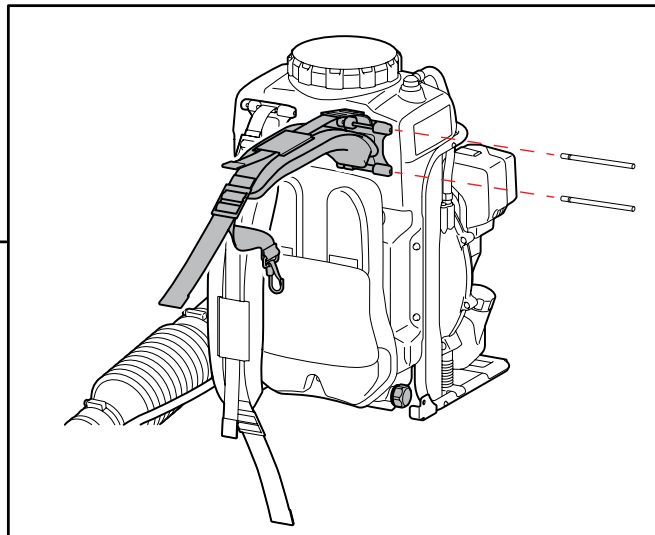
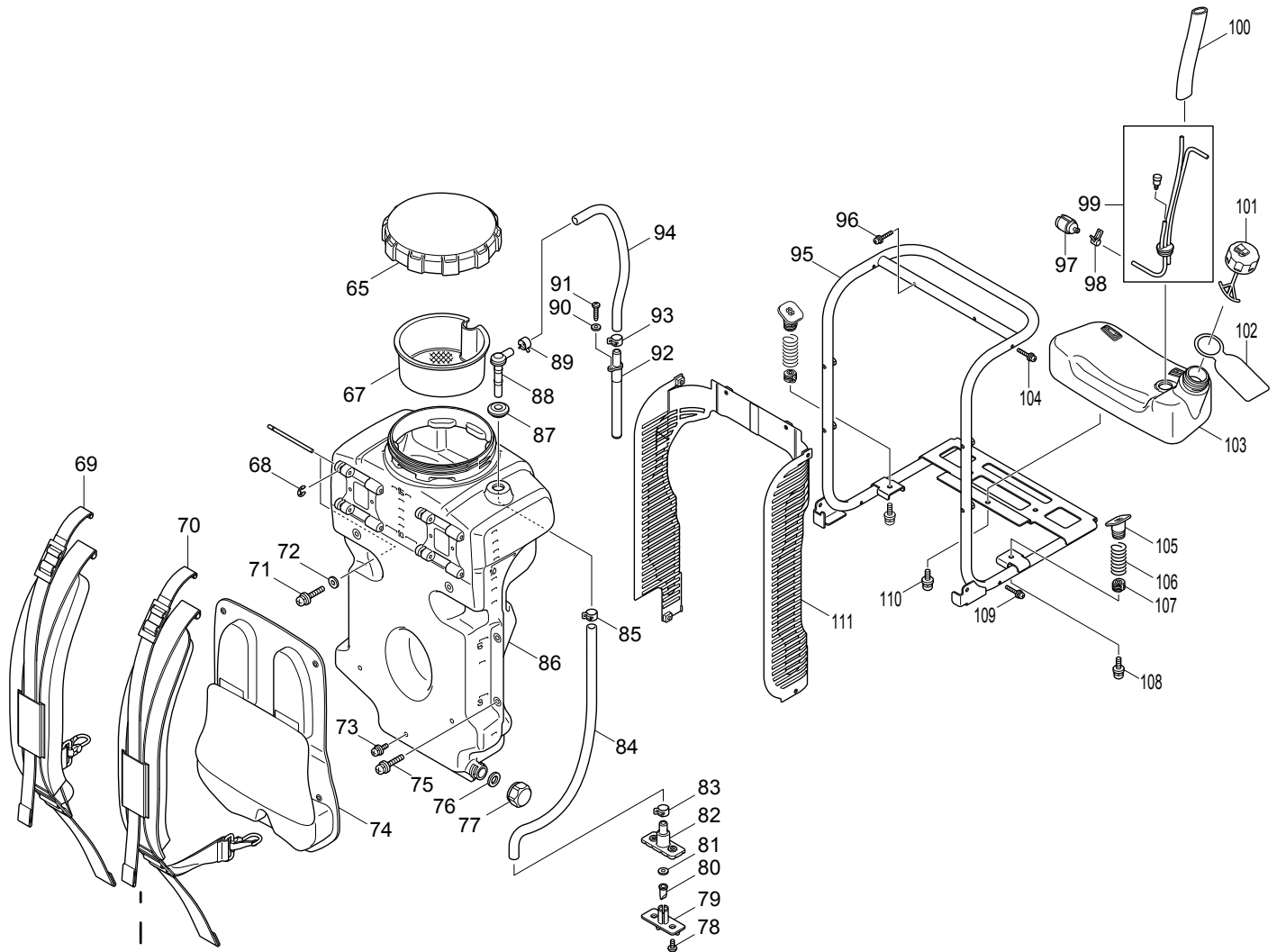


Products with multiple versions are listed in subsiding order with the newest version on top not indented.

Section	Fig. No.	Part No.	Description	PM7650H	Tech Bulletin	Notes
1	1	282023-2	HOSE CLAMP 14	1		
1	2	412108-2	TUBE 10-300, PM7650H	1		
1	2	412109-0	TUBE 10-500	1		
1	3	282023-2	HOSE CLAMP 14	1		
1	4	453505-3	NOZZLE CAP	1		
1	5	213686-3	O-RING 12	1		
1	6	268288-0	PIN 5.5	1		
1	7	234244-2	COMPRESSION SPRING 3	1		
1	8	266007-8	TAPPING SCREW BIND PT 3X10	1		
1	9	326198-8	NOZZLE 4.5	1		
1	10	453599-8	SLEEVE 25	1		
1	11	213437-4	O RING 28	1		
1	12	453986-1	TOP ADAPTER	1		
1	13	266045-0	TAPPING SCREW 4X20	1		
1	14	911228-4	PAN HEAD SCREW M5X18	1		
1	15	141921-8	NOZZLE ADAPTER COMPLETE	1		
1	16	213645-7	O RING 93	1		
1	17	412116-3	ELBOW	1		
1	18	453714-4	WIRE BAND	1		
1	19	168746-5	SWIVEL PIPE COMPLETE	1		
1	20	126137-6	CONTROL LEVER ASSEMBLY	1		
1	21	266192-7	TAPPING SCREW 4X14	2		
1	22	141522-2	BODY HOLDER COMPLETE	1		
1	22	898351-1	INDICATION LABEL	1		
1	23	266192-7	TAPPING SCREW 4X14	2		
1	24	126580-9	COCK ASS'Y, PM7650H	1		
1	24	453508-7	COCK BODY	1		
1	25	213647-3	O-RING 9	1		
1	26	213686-3	O-RING 12	1		
1	27	453510-0	VALVE ROD	1		
1	28	234245-0	COMPRESSION SPRING 12	1		
1	29	213649-9	O-RING 18	1		
1	30	453509-5	BODY COVER	1		
1	31	266192-7	TAPPING SCREW 4X14	2		
1	32	282023-2	HOSE CLAMP 14	1		
1	33	453511-8	PUSH BUTTON	1		

Products with multiple versions are listed in subsiding order with the newest version on top not indented.

Section	Fig. No.	Part No.	Description	PM7650H	Tech Bulletin	Notes
1	34	266130-9	TAPPING SCREW BIND PT 3X16	1		
1	35	412110-5	TUBE 10-750	1		
1	36	282023-2	HOSE CLAMP 14	1		
1	37	453616-4	CAP HOSE	1		
1	38	423434-4	BLIND PACKING	1		
1	39	453559-0	JOINT STRAINER	1		
1	40	266420-0	TAPPING SCREW 5X20	4		
1	41	450964-2	PLUG COVER	1		
1	42	424504-2	OIL GUARD	1		
1	43	897623-1	SERIAL NO. LABEL	1		
1	44	898348-0	PM7650H MODEL NO. LABEL	1		
1	45	911233-1	PAN HEAD SCREW M5X20	3		
1	46	126165-1	RECOIL	1		INC. 187-190193-196261262
1	47	141521-4	ENGINE COVER COMPLETE	1		
1	49	931202-6	HEX. NUT M5	2		
1	50	453558-2	VOLUTE CASE 2	1		
1	51	318891-8	BASE R	1		
1	52	922353-6	HEX.SOCKET HEAD BOLT M6X30	3		
1	53	240138-1	IMPELLER	1		
1	54	318890-0	BASE L	1		
1	55	922353-6	HEX.SOCKET HEAD BOLT M6X30	3		
1	56	266828-8	H.S.H.BOLT M6X40 WITH WR	4		
1	57	454669-6	VOLUTE CASE 1	1		
1	58	266420-0	TAPPING SCREW 5X20	9		
1	59	911288-6	PAN HEAD SCREW M5X65	2		
1	60	453561-3	TANK HOLDER	2		
1	61	234247-6	COMPRESSION SPRING 20	2		
1	62	453561-3	TANK HOLDER	2		
1	63	266420-0	TAPPING SCREW 5X20	3		
1	64	454670-1	FAN GUARD	1		
1	C10	455656-8	COCK BODY, PM7650H	1		
1	C20	213647-3	O-RING 9, PM7650H	1		
1	C30	455655-0	COCK, PM7650H	1		
1	C40	455657-6	COCK LEVER, PM7650H	1		
1	C50	266326-2	TAPPING SCREW PT 4X18, 5007MG	1		

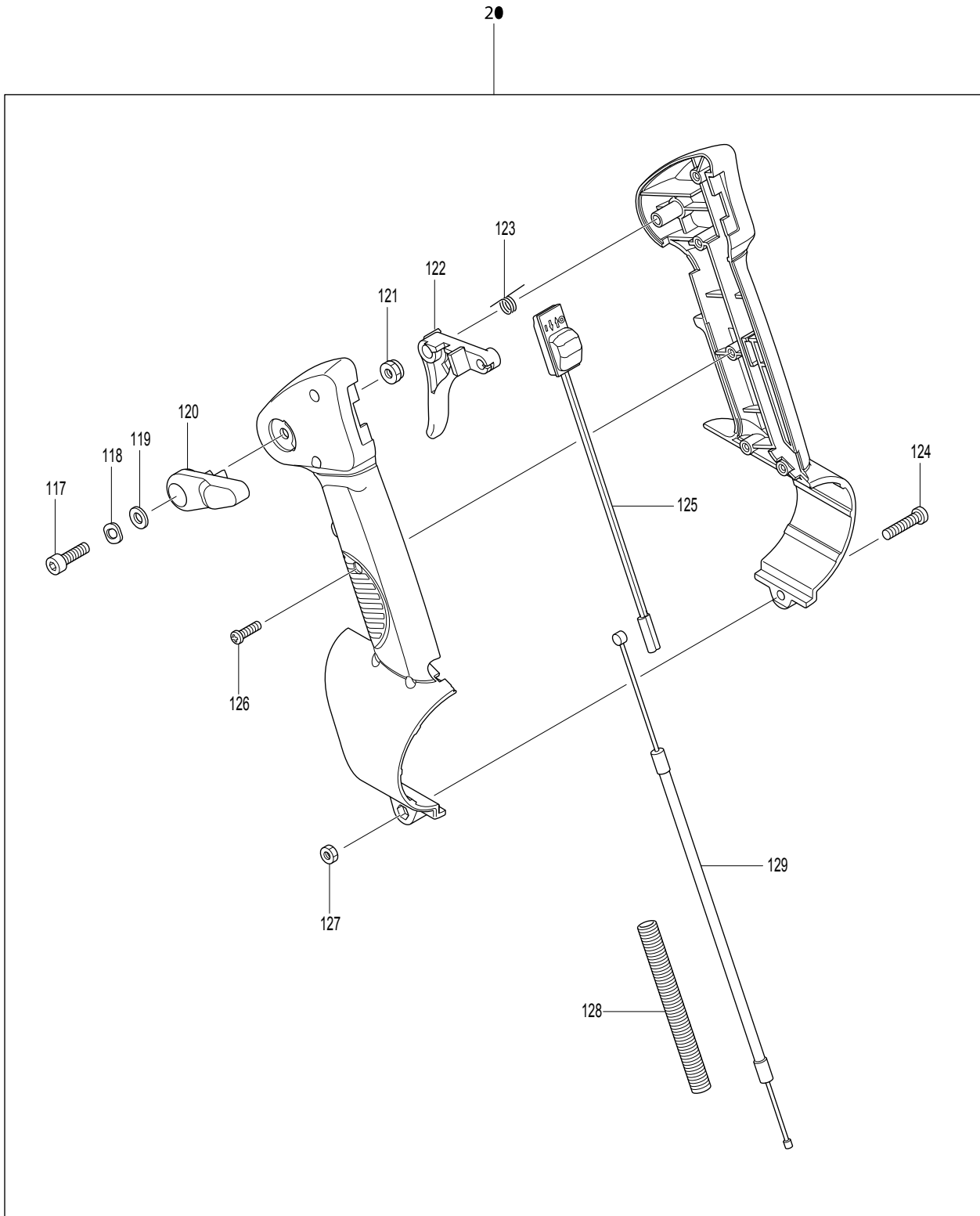


Products with multiple versions are listed in subsiding order with the newest version on top not indented.

Section	Fig. No.	Part No.	Description	PM7650H	Tech Bulletin	Notes
2	20	126137-6	CONTROL LEVER ASSEMBLY	1		INC. 117-129
2	65	141764-8	TANK CAP COMPLETE	1		
2	67	453493-4	TANK STRAINER	1		
2	68	961011-9	STOP RING E-4	4		
2	69	166121-9	BAND R	1		
2	70	166120-1	BAND L	1		
2	71	911353-1	PAN HEAD SCREW M6X30	2		
2	72	253804-1	FLAT WASHER 6	2		
2	73	911213-7	PAN HEAD SCREW M5X12	5		
2	74	166107-3	CUSHION	1		
2	75	911353-1	PAN HEAD SCREW M6X30	4		
2	76	423434-4	BLIND PACKING	1		
2	77	453615-6	CAP	1		
2	78	266767-2	PAN HEAD SCREW M5X12	2		
2	79	453496-8	MIXING BODY LOWER	1		
2	80	424492-3	CHECK VALVE	1		
2	81	267462-7	FLAT WASHER 10	1		
2	82	453495-0	MIXING BODY UPPER	1		
2	83	282023-2	HOSE CLAMP 14	1		
2	84	412109-0	TUBE 10-500	1		
2	85	282023-2	HOSE CLAMP 14	1		
2	86	142900-9	TANK COMPLETE	1		
2	86	898345-6	CATUION LABEL	1		
2	87	424503-4	GROMET	1		
2	88	454683-2	JOINT 1	1		
2	89	282023-2	HOSE CLAMP 14	1		
2	90	253874-0	FLAT WASHER 4	1		
2	91	265995-6	TAPPING SCREW 4X18	1		
2	92	453498-4	PRESSURE PIPE	1		
2	93	282023-2	HOSE CLAMP 14	1		
2	94	412108-2	TUBE 10-300	1		
2	95	165686-8	FRAME COMPLETE	1		
2	96	911148-2	PAN HEAD SCREW M4X25	2		
2	97	163532-9	FILTER	1		

Products with multiple versions are listed in subsiding order with the newest version on top not indented.

Section	Fig. No.	Part No.	Description	PM7650H	Tech Bulletin	Notes
2	98	345920-4	HOSE CLAMP	1		
2	99	126444-7	TUBE ASSEMBLY	1		
2	100	412119-7	TUBE GUARD 20-160	1		
2	101	125472-9	FUEL TANK CAP ASSEMBLY	1		
2	102	810455-9	CAUTION PLATE	1		
2	104	911148-2	PAN HEAD SCREW M4X25	2		
2	105	453499-2	FRAME HOLDER	2		
2	106	234246-8	COMPRESSION SPRING 17	2		
2	107	453560-5	LOWER FRAME HOLDER	2		
2	108	911333-7	PAN HEAD SCREW M6X20	2		
2	109	911148-2	PAN HEAD SCREW M4X25	2		
2	110	911313-3	PAN HEAD SCREW M6X12 WITH WR	3		
2	111	454684-0	GUARD	1		





Products with multiple versions are listed in subsiding order with the newest version on top not indented.

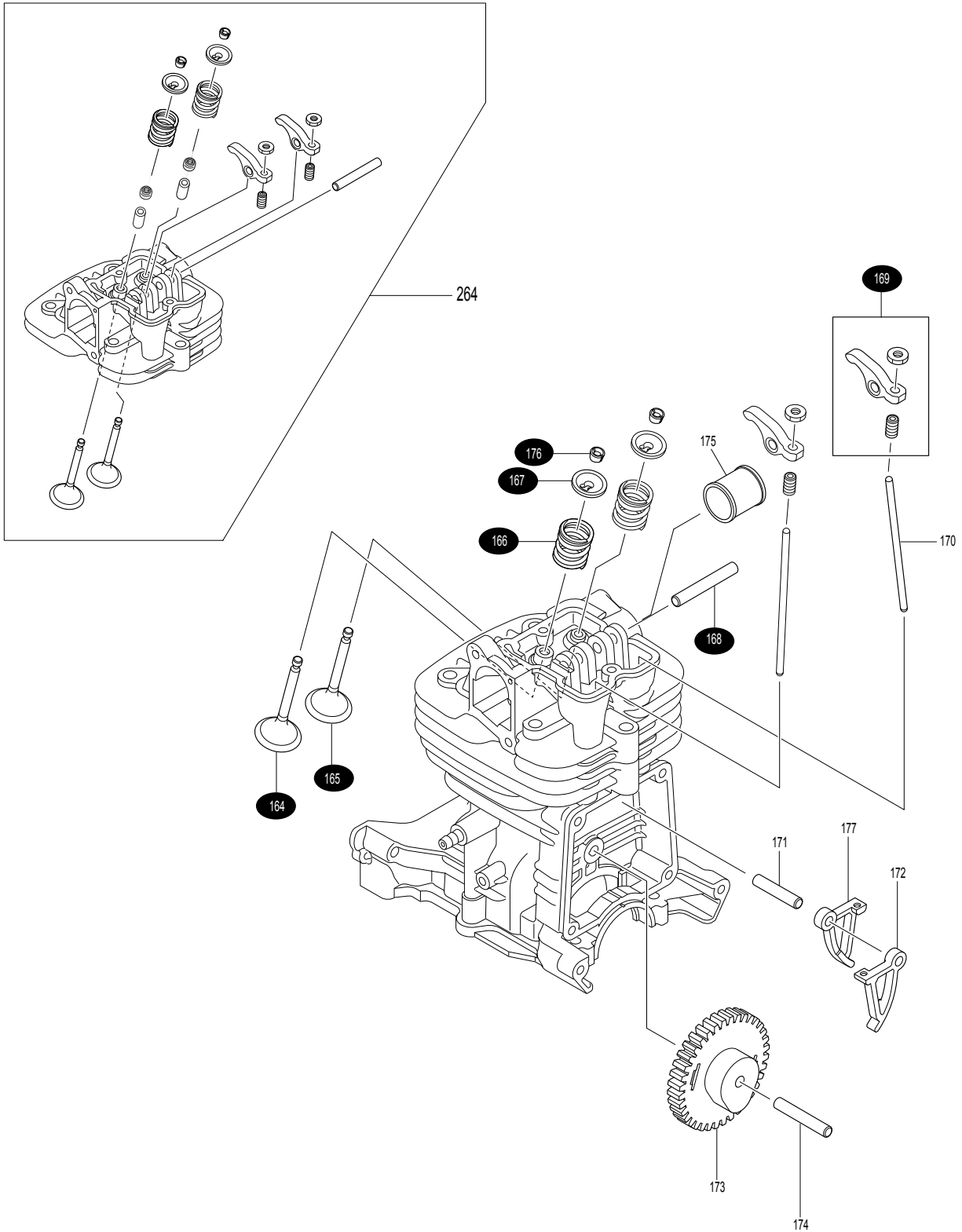
Section	Fig. No.	Part No.	Description	PM7650H	Tech Bulletin	Notes
3	117	922317-0	HEX. SOCKET HEAD BOLT M6X14	1		
3	118	267841-9	WAVE WASHER 7	1		
3	120	453717-8	LEVER 2 THROTTLE	1		
3	121	931302-2	HEX. NUT M6	1		
3	122	453716-0	LEVER 1 THROTTLE	1		
3	123	233602-9	TORSION SPRING 9	1		
3	124	911242-0	PAN HEAD SCREW M5X25	1		
3	125	168745-7	SWITCH COMPLETE	1		
3	127	931202-6	HEX. NUT M5	1		
3	129	168744-9	CONTROL CABLE	1		



Products with multiple versions are listed in subsiding order with the newest version on top not indented.

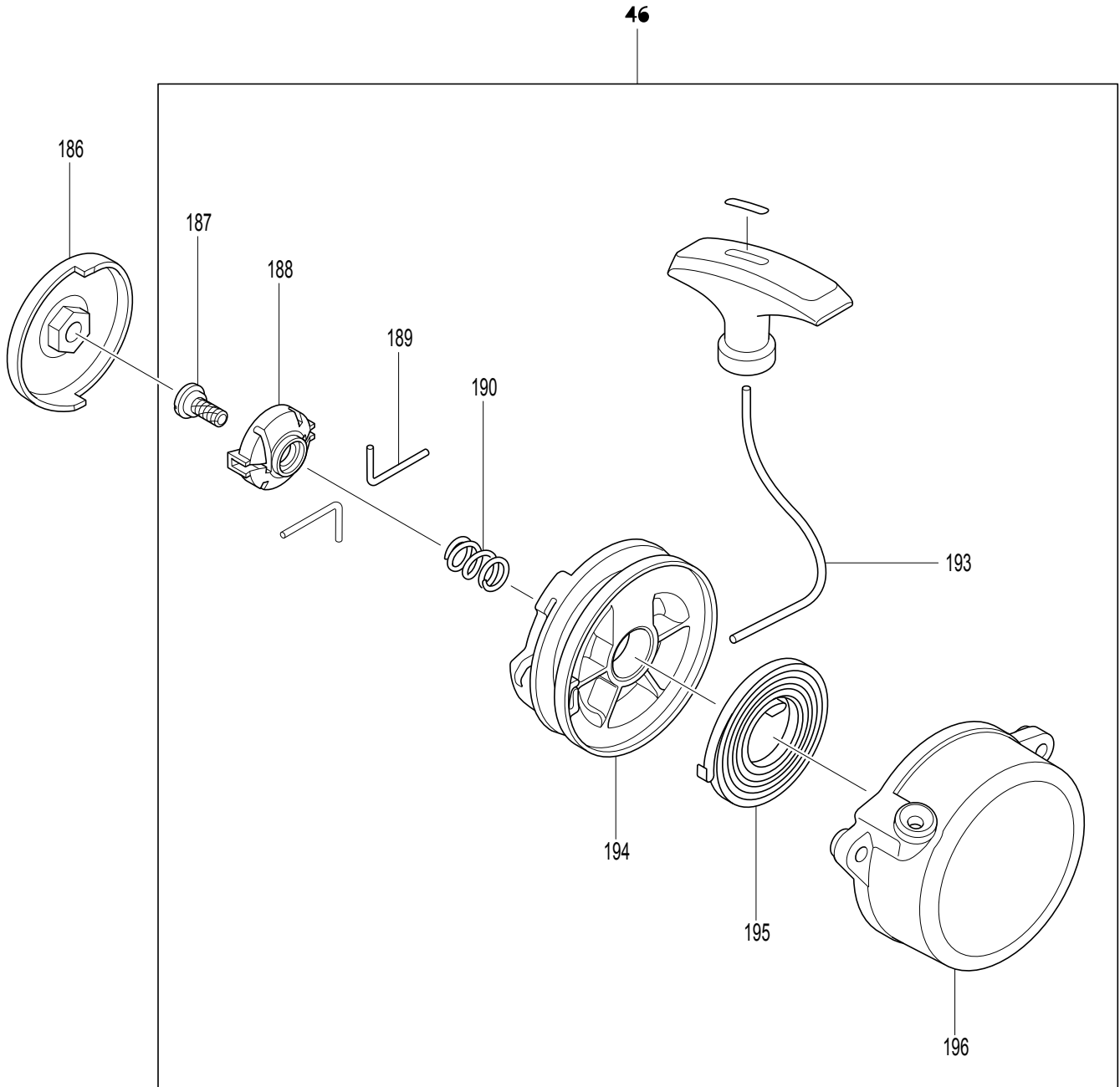
Section	Fig. No.	Part No.	Description	PM7650H	Tech Bulletin	Notes
4	131	141771-1	ROCKER COVER COMPLETE	1		
4	132	597-15009-00	ROCKER COVER GASKET	1		
4	133	142771-4	CYLINDER HEAD COMPLETE	1		INC. 168169
4	134	442167-2	CYLINDER HEAD GASKET	1		
4	135	168401-9	SPARK PLUG	1		
4	136	011-90696-70	SOCKET HEAD BOLT M6X35	5		
4	137	597-10070-01	CYLINDER BLOCK SET	1		INC. 138139
4	138	424201-0	CHECK VALVE	2		
4	139	011-90699-30	HEX. SOCKET HEAD BOLT M6X30	6		
4	140	442168-0	CAM GEAR GASKET	1		
4	141	318725-5	CAM GEAR COVER	1		
4	142	266813-1	H.S.H.BOLT M5X16 WITH WR	4		
4	143	667-60050-00	OIL CAP ASSY	1		INC. 144
4	144	021-32299-80	GASKET	1		
4	145	346083-9	LEAD VALVE	1		
4	146	593-15013-00	RETAINER PLATE	1		
4	147	011-90499-80	SOCKET HEAD BOLT M4X10	1		
4	148	597-65001-00	OIL CASE GASKET	1		
4	149	597-65000-00	OIL CASE	1		
4	150	346452-4	GASKET	1		
4	151	001-66081-20	BOLT M8X12	1		
4	152	011-90593-90	SOCKET HEAD BOLT M5X25	5		
4	153	085-11099-60	TUBE	1		
4	154	597-20030-00	PISTON RING SET	1		
4	155	318726-3	PISTON	1		
4	156	213599-8	OIL SEAL 17	1		
4	157	580-25007-02	PISTON PIN	1		
4	158	233995-4	RING SPRING 12	2		
4	159	061-01299-40	NEEDLE ROLLER BEARING	1		
4	160	032-30499-50	WOODRUFF KEY	1		
4	161	267448-1	FLAT WASHER 41	1		
4	162	213598-0	OIL SEAL(L)	1		
4	163	142205-7	CRANK SHAFT COMPLETE	1		

XXX Included in Head Assembly Fig No. 264



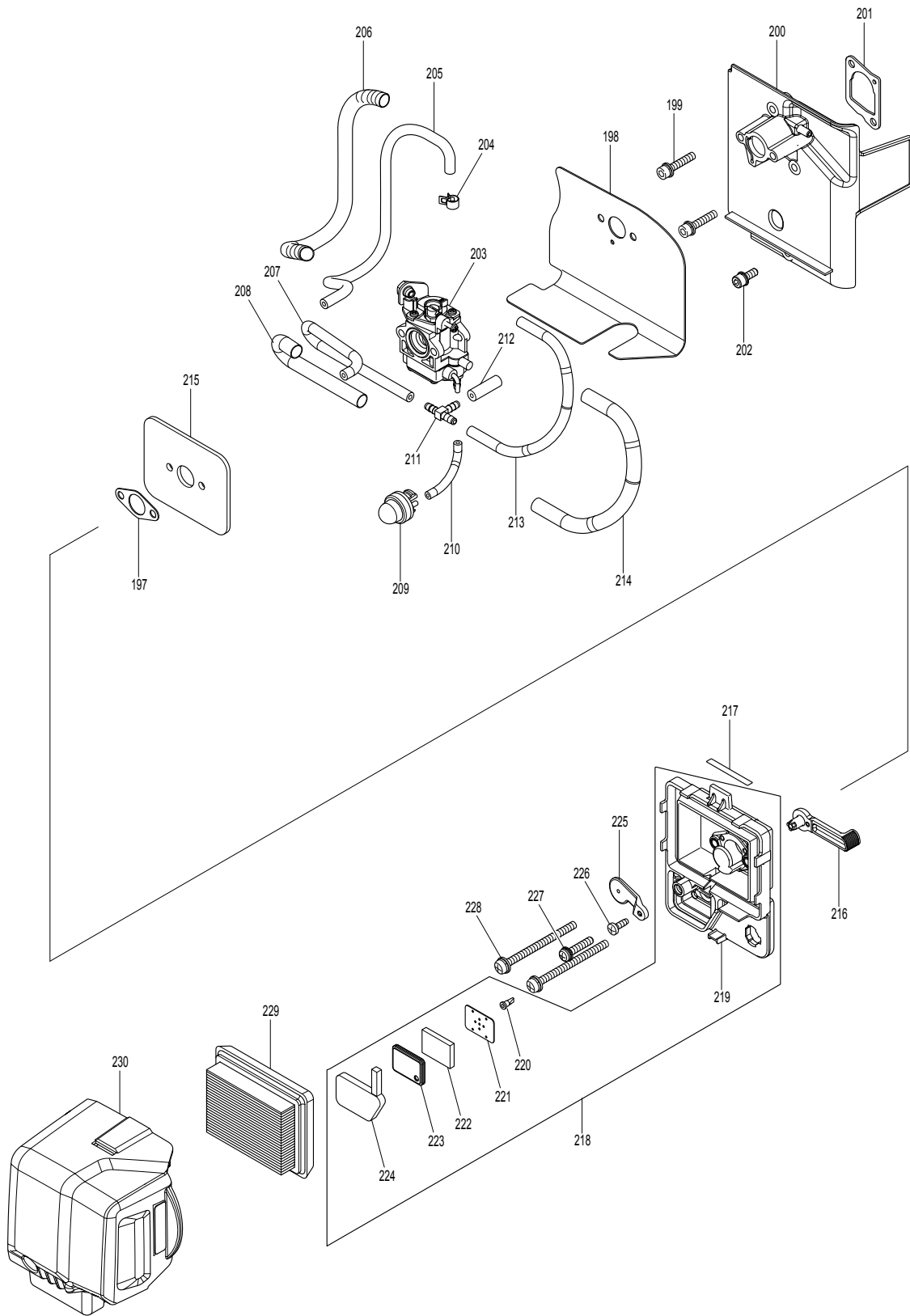
Products with multiple versions are listed in subsiding order with the newest version on top not indented.

Section	Fig. No.	Part No.	Description	PM7650H	Tech Bulletin	Notes
5	164	331964-0	INTAKE VALVE	1		
5	165	331965-8	EXHAUST VALVE	1		
5	166	234212-5	COMPRESSION SPRING 11	2		
5	167	331966-6	RETAINER	2		
5	169	126005-3	ROCKER ARM ASSEMBLY	2		
5	170	256526-2	PUSH ROD	2		
5	171	256186-0	SHAFT CAM LIFTER	1		
5	171	597-35007-00	SHAFT CAM LIFTER	1		
5	172	313266-6	CAM LIFTER L	1		
5	173	597-30020-02	CAMGEAR ASSY	1		
5	174	256200-2	PIN 5	1		
5	175	331937-3	EXHAUST PORT SPACER	1		
5	176	331967-4	COTTER	4		
5	177	313267-4	CAM LIFTER R	1		



Products with multiple versions are listed in subsiding order with the newest version on top not indented.

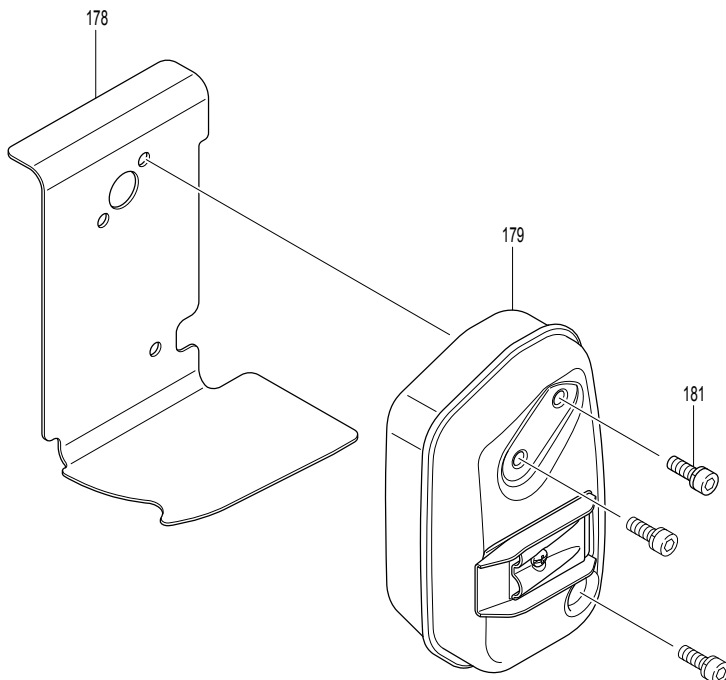
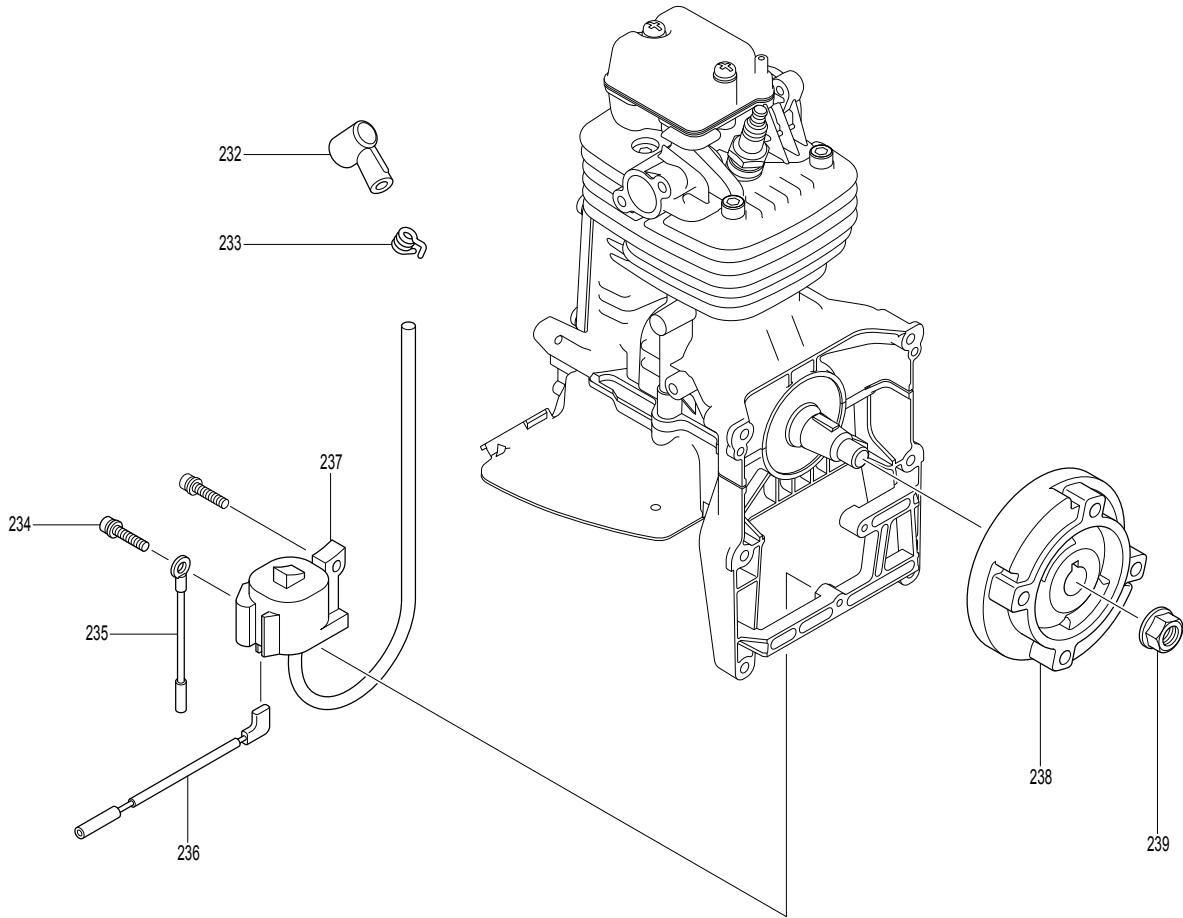
Section	Fig. No.	Part No.	Description	PM7650H	Tech Bulletin	Notes
6	46	126165-1	RECOIL	1		INC. 187-190193-196261262
6	186	597-55000-00	PULLEY	1		
6	187	266585-8	TAPPING SCREW 5X12	1		
6	189	326200-7	SWING ARM	2		
6	190	234257-3	FRICTION SPRING	1		
6	193	444043-6	STARTER ROPE	1		
6	194	441075-4	REEL	1		
6	195	232262-4	SPIRAL SPRING	1		
6	196	141649-8	STARTER CASE COMPLETE	1		





Products with multiple versions are listed in subsiding order with the newest version on top not indented.

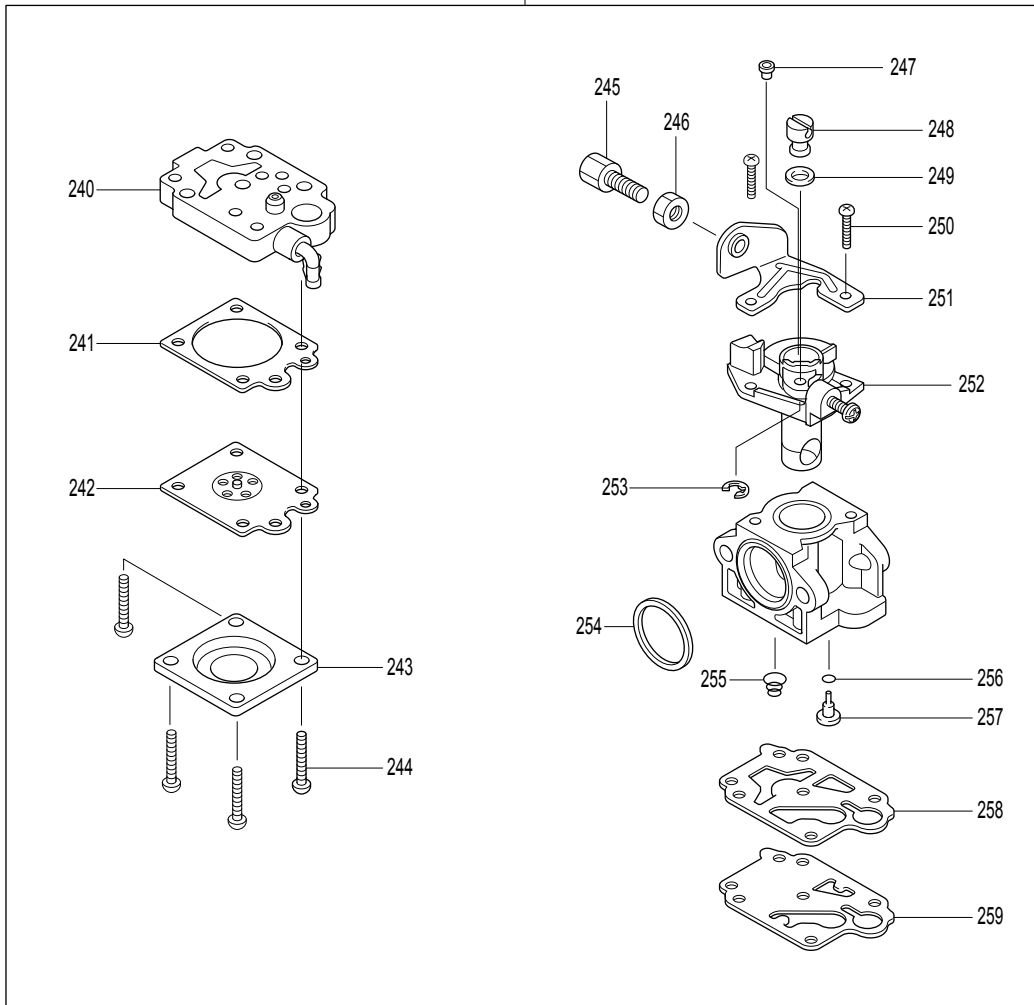
Section	Fig. No.	Part No.	Description	PM7650H	Tech Bulletin	Notes
7	197	523-35042-00	CARBURETOR GASKET	1		
7	198	423438-6	CARBURETOR GASKET	1		
7	199	266749-4	HEX. S.H.B. M5X25 WITH WR	2		
7	200	141670-7	INSULATOR COMPL	1		
7	201	162333-2	INSULATOR GASKET	1		
7	202	922218-2	H.S.H. BOLT M5X14 WITH WR	1		
7	203	168725-3	CARBURETOR	1		INC. 240-246248-251253-259
7	204	282027-4	HOSE CLAMP 6	1		
7	205	412134-1	TUBE 3-210	1		
7	206	454190-5	CORRUGATE TUBE 160	1		
7	207	412121-0	TUBE 3-130	1		
7	208	412123-6	TUBE 10-110	1		
7	209	168398-2	PRIMER PUMP	1		
7	210	412112-1	TUBE 3-60	1		
7	211	452952-5	HOSE JOINT	1		
7	212	422096-5	TUBE 3-25	1		
7	213	412122-8	TUBE 3-240	1		
7	214	412124-4	TUBE 10-220	1		
7	215	346582-1	PLATE 31	1		
7	216	453502-9	CHOKE LEVER	1		
7	217	898347-2	SERIAL NO. LABEL	1		
7	218	126149-9	CLEANER PLATE ASSEMBLY	1		INC. 219-224
7	219	453501-1	AIR CLEANER PLATE	1		
7	220	424316-3	CHECK VALVE	1		
7	221	162325-1	SEPARATOR GASKET	1		
7	222	352013-0	SEPARATOR NET	1		
7	223	162322-7	SEPARATOR STOPPER	1		
7	224	162324-3	SEPARATOR PLATE	1		
7	225	597-35017-00	CHOKE PLATE	1		
7	226	266427-6	TAPPING SCREW 4X12	1		
7	227	911243-8	PAN HEAD SCREW M5X25	1		
7	228	911293-3	PAN HEAD SCREW M5X70	2		
7	229	442181-8	AIR CLEANER ELEMENT	1		
7	230	141525-6	AIR CLEANER COVER COMPLETE	1		



Products with multiple versions are listed in subsiding order with the newest version on top not indented.

Section	Fig. No.	Part No.	Description	PM7650H	Tech Bulletin	Notes
8	178	597-35013-02	MUFFLER GASKET	1		
8	179	597-30010-03	MUFFLER EXHAUST	1		
8	181	266771-1	SOCKET HEAD BOLT M6X18	3		
8	232	424105-6	PLUG CAP	1		
8	233	324891-8	PLUG CAP SPRING	1		
8	234	011-90499-70	SOCKET HEAD BOLT M4X20	2		
8	235	638784-6	WIRE	1		
8	236	638710-5	LEAD WIRE	1		
8	237	597-70010-10	IGNITION COIL	1		
8	238	597-70010-20	FLYWHEEL COMPL	1		
8	239	264054-3	FLANGE NUT M10	1		

203



Products with multiple versions are listed in subsiding order with the newest version on top not indented.

Section	Fig. No.	Part No.	Description	PM7650H	Tech Bulletin	Notes
9	203	168725-3	CARBURETOR	1		INC. 240-246248-251253-259
9	240	141672-3	PUMP BODY ASSEMBLY	1		
9	241	442183-4	METERING DIAPHRAGM GASKET	1		
9	242	168620-7	METERING DIAPHRAGM	1		
9	243	346608-9	METER DIAPHRAGM COVER	1		
9	244	266770-3	SCREW	4		
9	245	266795-7	ADJUST SCREW	1		
9	246	264065-8	CABLE ADJUST NUT M6	1		
9	248	325922-6	SWIVEL	1		
9	249	413140-9	WASHER	1		
9	250	266704-6	PAN HEAD SCREW M3X10	2		
9	251	346491-4	BRACKET CABLE	1		
9	253	257964-1	STOP RING E-3	1		
9	254	424444-4	PACKING RING	1		
9	255	234183-6	CONICAL COMPRESSION SPRING 5-9	1		
9	256	213538-8	O RING 2	1		
9	257	326243-9	JET	1		
9	258	442155-9	PUMP GASKET	1		
9	259	168575-6	PUMP DIAPHRAGM	1		