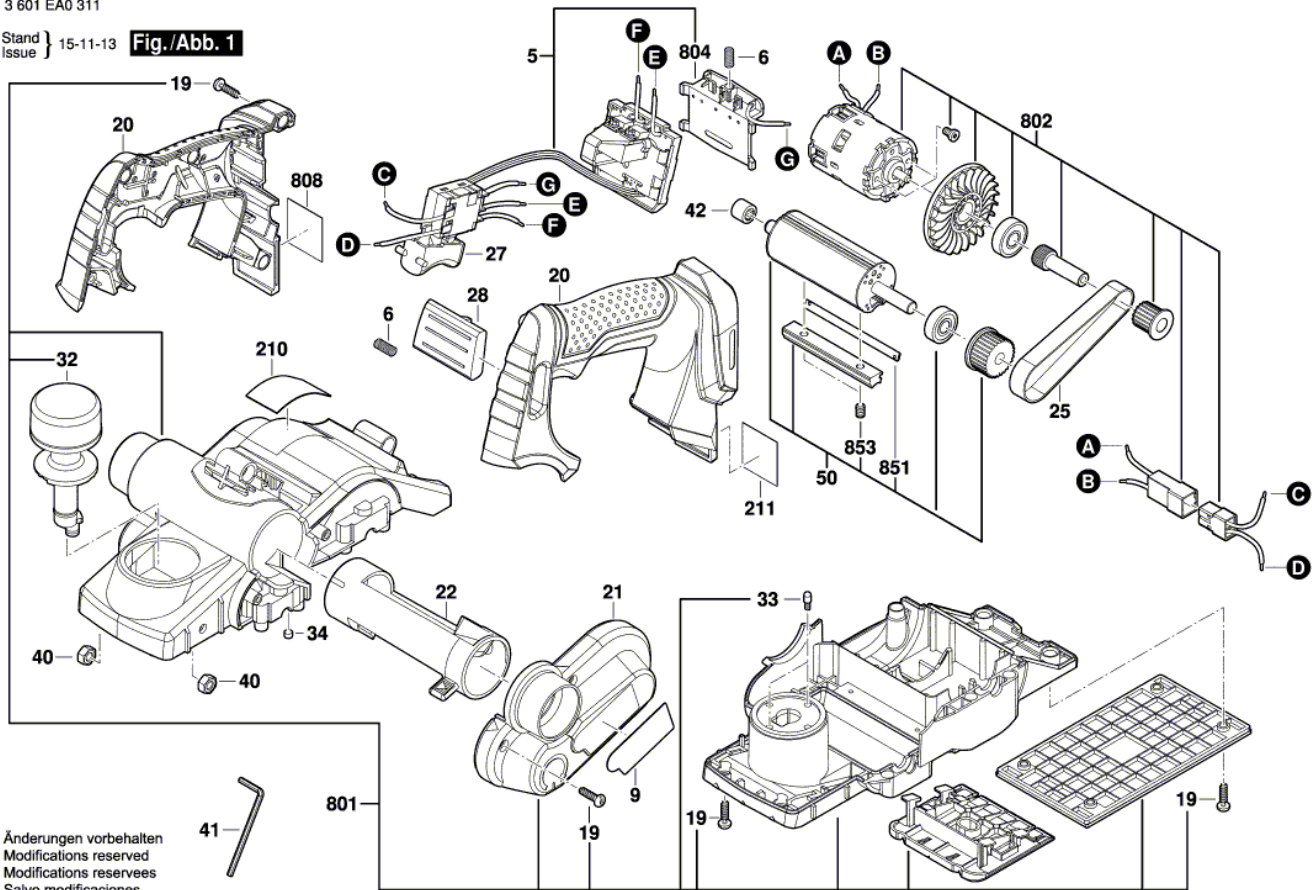




3 601 EA0 311

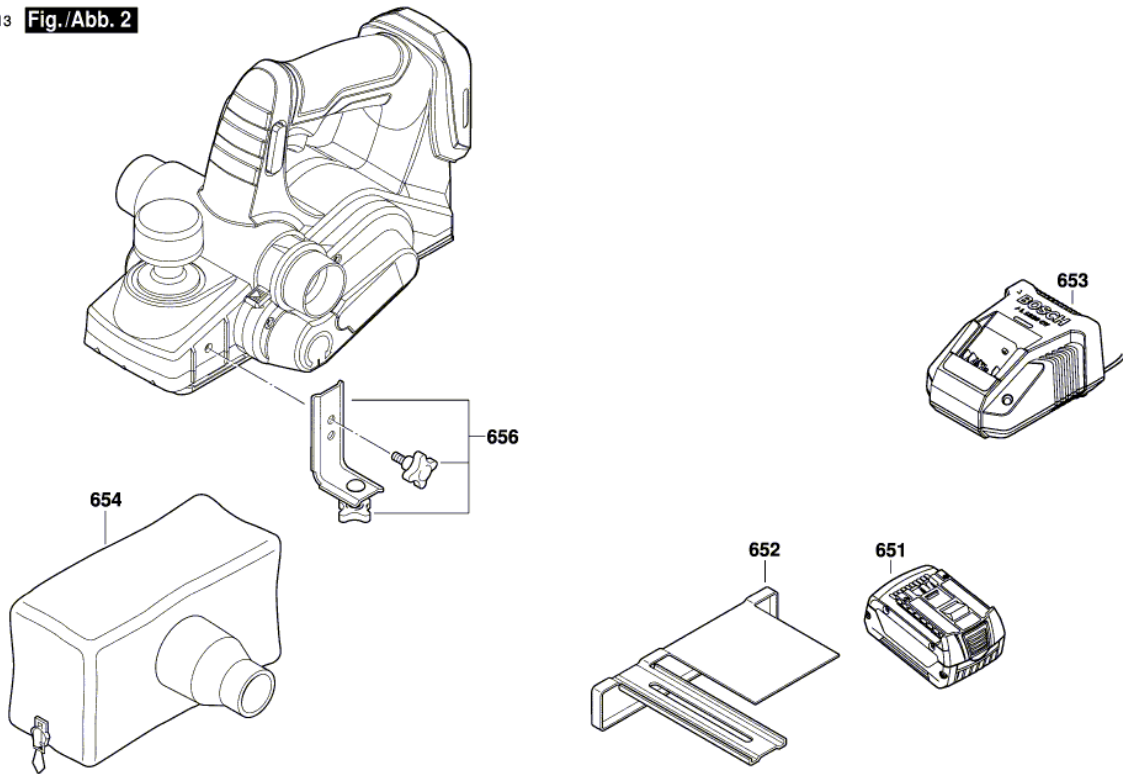
Stand Issue } 15-11-13 **Fig./Abb. 1**





3 601 EA0 311

Stand Issue } 15-11-13 **Fig./Abb. 2**



Änderungen vorbehalten
Modifications reserved
Modifications reserves
Salvo modificaciones



Pos.	Part Number	Description	Pos.	Part Number	Description
5	1 607 233 414				
6	2 604 690 055	Compression Spring			
9	2 601 112 125				
19	2 603 490 022	Torx Oval-Head Screw			
20	2 605 133 037				
21	2 605 500 209				
22	2 600 409 026	Deflector Pipe			
25	2 604 736 001	Toothed Belt			
27	2 610 942 930	Trigger			
28	2 610 955 167				
32	2 602 026 180				
33	2 600 590 006	Ratchet Cap			
34	2 603 100 056	Rubber Buffer			
40	2 915 011 007	Hex Nut			
41	1 907 950 003	Offset Screwdriver			
42	1 610 910 057	Needle bearing			
50	2 608 584 003	Planer Head			
210	2 601 112 127				
211	2 601 112 126				
651	2 607 336 819				
652	2 609 111 412				
653	2 607 225 429				
654	2 609 170 013	Dust Bag			
656	2 607 001 047	Parts Set			
801	2 605 105 968				
802	2 606 625 910				
804	1 609 280 478				
808	1 601 11A 1PY				
851	2 608 635 341	Planing Knife			
853	2 603 400 016	Set screw			