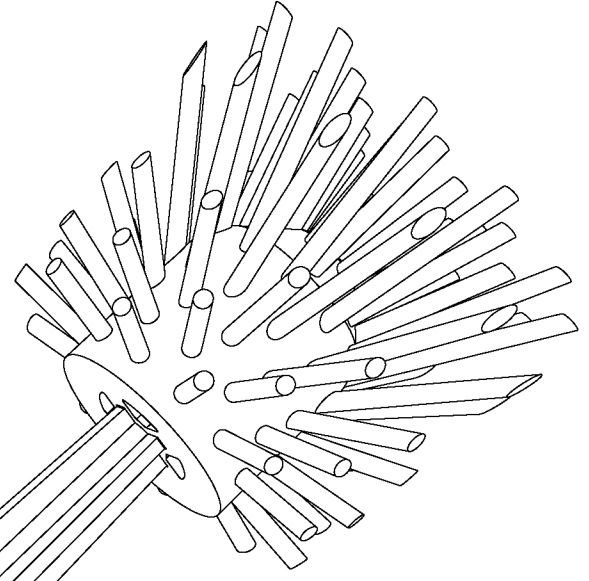
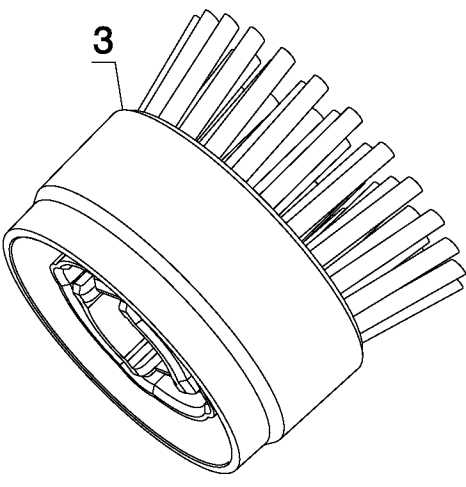


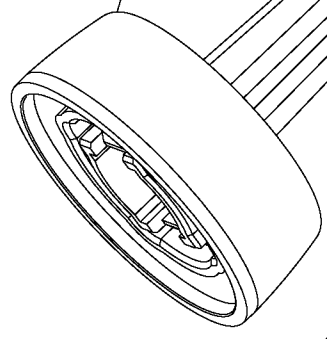
5



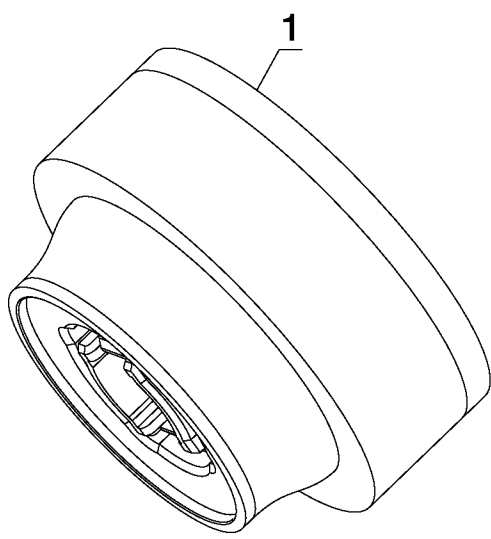
4



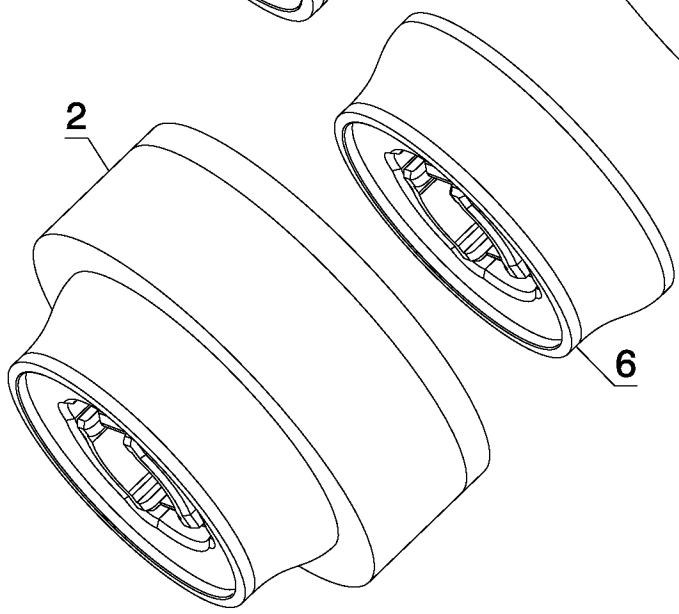
3



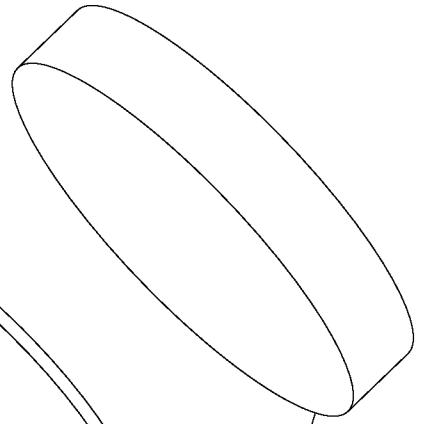
2



1



6



7

Parts List for PKS160 Type 1

Item Number	Part Number	Description	Qty Required
1	478056-00	PAD,SCRUB	1
2	478056-01	PAD,SCRUB-WHITE	1
3	477831-00	SCRUB BRUSH	1
4	478981-00	GLASS SCRUBBER	1
5	000000-00	No Longer Available	1
6	90511574	PAD HOLDER	1
7	90511586	PAD,SCRUB	1