

## Portable Planer - 0 603 296 045 - PHO 25-82

www.powertools-aftersaleservice.com



**BOSCH**

Item	Part Number	Description	Illustration	Price	Quantity	Price Group
	2 2 604 220 704	Field 120V	1	-,-	1	31
	3 2 604 010 762	Armature 110-115V	1	-,-	1	41
3/60	2 606 610 049	Fan	1	-,-	1	12
	4 1 607 000 231	On-Off Switch	1	-,-	1	26
	5 1 614 460 010	Power supply cord USA/CAN/SMA 2,15m 2 x 0,82mm SJ 16/2	1	-,-	1	25
	6 1 600 703 027	Grommet Ø9,6-Ø12,0x81 MM	1	-,-	1	16
	7 2 601 035 001	Cable Clip	1	-,-	1	11
	9 2 601 118 285	Manufacturer's nameplate SUNNY SIDE	1	-,-	1	-
	13 2 600 905 051	groove ball bearing 7x19x6	1	-,-	1	21
	14 2 600 905 052	groove ball bearing 8x22x7	1	-,-	1	20
	16 2 604 449 027	Brush Holder	1	-,-	2	11
	18 2 603 410 001	Socket head cap screw M3x6,5-4.8	1	-,-	2	11
	20 1 601 110 481	Manufacturer's nameplate SHADOW SIDE	1	-,-	1	11
	25 2 605 719 003	Bearing Flange BLACK	1	-,-	1	25
	26 2 606 110 001	Adjusting Eccentric	1	-,-	1	14
	27 2 600 917 003	Needle bearing Ø8x8 MM	1	-,-	1	14
	28 2 600 324 009	Toothed Belt Wheel Z=19	1	-,-	1	16
	29 2 606 625 009	Toothed Belt Wheel Z=43	1	-,-	1	17
	30 2 602 026 004	Rotary Handle BLACK	1	-,-	1	16
	31 2 609 995 917	Toothed Belt 17 MM, Z=89	1	-,-	1	21
	32 2 605 510 064	Gear Cover BLACK	1	-,-	1	17
	33 2 601 120 003	Scale Plate	1	-,-	1	21
	34 2 605 500 105	Cap-Handle	1	-,-	1	12
	35 2 605 510 063	Brush-Cover BLACK	1	-,-	1	19
	37 2 605 819 004	Bearing Bracket	1	-,-	1	21
	38 2 601 098 036	Sheet metal cover	1	-,-	1	12
	39 2 600 324 008	Guide Bushing	1	-,-	1	11
	40 2 600 290 009	Air-Deflector Ring	1	-,-	1	15
	41 2 601 290 016	Spring Plate	1	-,-	2	12
	42 2 603 435 027	Thread-forming tap. Screw M 5x12 MM	1	-,-	2	11
	43 2 917 800 053	Coiled Spring Pin DIN 7343-5x2,5	1	-,-	1	10
	44 2 603 320 004	Square Nut M6	1	-,-	3	11
	45 2 604 651 007	Torsion Spring	1	-,-	1	11

Item	Part Number	Description	Illustration	Price	Quantity	Price Group
47	2 601 254 000	Ratchet Spring	1	-,-	2	11
48	2 603 433 000	Screw and washer assembly	1	-,-	4	11
50	2 917 800 303	Coiled Spring Pin DIN 7343-3,5x8 MM	1	-,-	1	10
51	1 610 100 605	Shim 0,8 MM THICK	1	-,-	2	11
52	1 600 100 632	Shim 0,2 MM THICK	1	-,-	1	11
53	2 916 011 010	Plain Washer DIN 125-A4,3-ST	1	-,-	1	10
55	2 600 905 064	groove ball bearing 10x26x8	1	-,-	1	23
57	2 604 448 196	Connecting Cable	1	-,-	2	13
58	2 603 490 023	Torx Oval-Head Screw 4x20	1	-,-	1	10
60	2 600 409 022	Deflector Pipe BLACK	1	-,-	1	28
68	2 600 409 020	Shrinkable Tube BLACK	N/A	-,-	2	11
72	2 603 320 003	Square Nut M8	1	-,-	1	11
73	2 603 342 006	Round Nut M6 LEFTHAND THREADS	1	-,-	1	11
75	2 603 100 053	Rubber Buffer	1	-,-	1	11
81	2 601 329 053	Contact Strap	1	-,-	1	11
86	2 603 400 014	Set screw	1	-,-	4	11
87	2 603 450 005	Hex Screw	1	-,-	6	15
704	2 609 170 013	Dust Bag	2	-,-	1	32
711	2 605 702 022	Suction Connector	2	-,-	1	-
720	2 605 438 119	Carrying Case GRAY	2	-,-	1	-
730	2 608 133 001	Blade Sharpening Device	2	-,-	1	-
750	2 607 001 077	Width Stop	2	-,-	1	-
754	2 607 950 504	Single-Head Eng. Wrench	1	-,-	1	16
771/1	2 608 040 039	Grip-Spring Tensioning E	1	-,-	2	28
771/1	2 607 000 136	Changeover Set	1	-,-	1	-
771/10	2 607 000 096	Planing Knife	1	-,-	1	-
789	2 607 000 102	Parallel-Guide	2	-,-	1	-
796	2 607 001 106	Knife Guard	2	-,-	1	-
798	0 603 095 000	Straightening Device	2	-,-	1	-
799	0 603 095 002	Base	2	-,-	1	-
801	2 605 190 913	Housing	1	-,-	1	43
810	2 604 321 905	Carbon-Brush Set	1	-,-	1	23
819	2 603 490 022	Torx Oval-Head Screw 4x16	1	-,-	20	10
827	2 600 905 037	groove ball bearing 6x19x6	1	-,-	1	24
837	2 605 819 004	Bearing Bracket	1	-,-	1	21
870	2 603 204 908	Planer Head	1	-,-	1	48
888	1 601 106 032	Nameplate 26x52 MM	1	-,-	1	13

## Product information Portable Planer - 0 603 296 045 - PHO 25-82

Product No	0 603 296 045
Description	251.429; Portable Planer
DIN-Text	
ID_Text_Ext	0
Trading_Description	PHO 25-82
Voltage_1	115 V
ID_Country_Product	CDN

Illustration - Type E

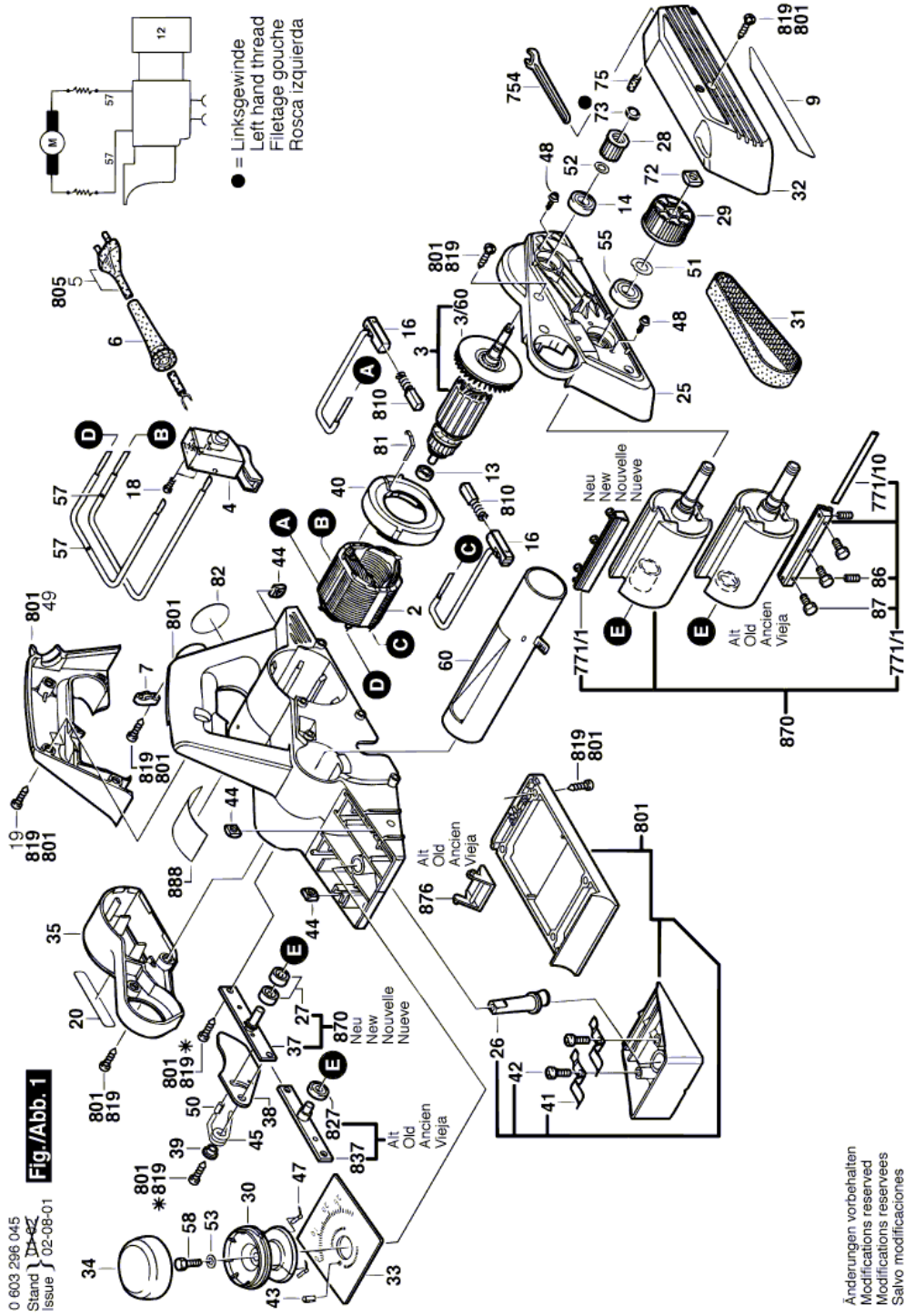
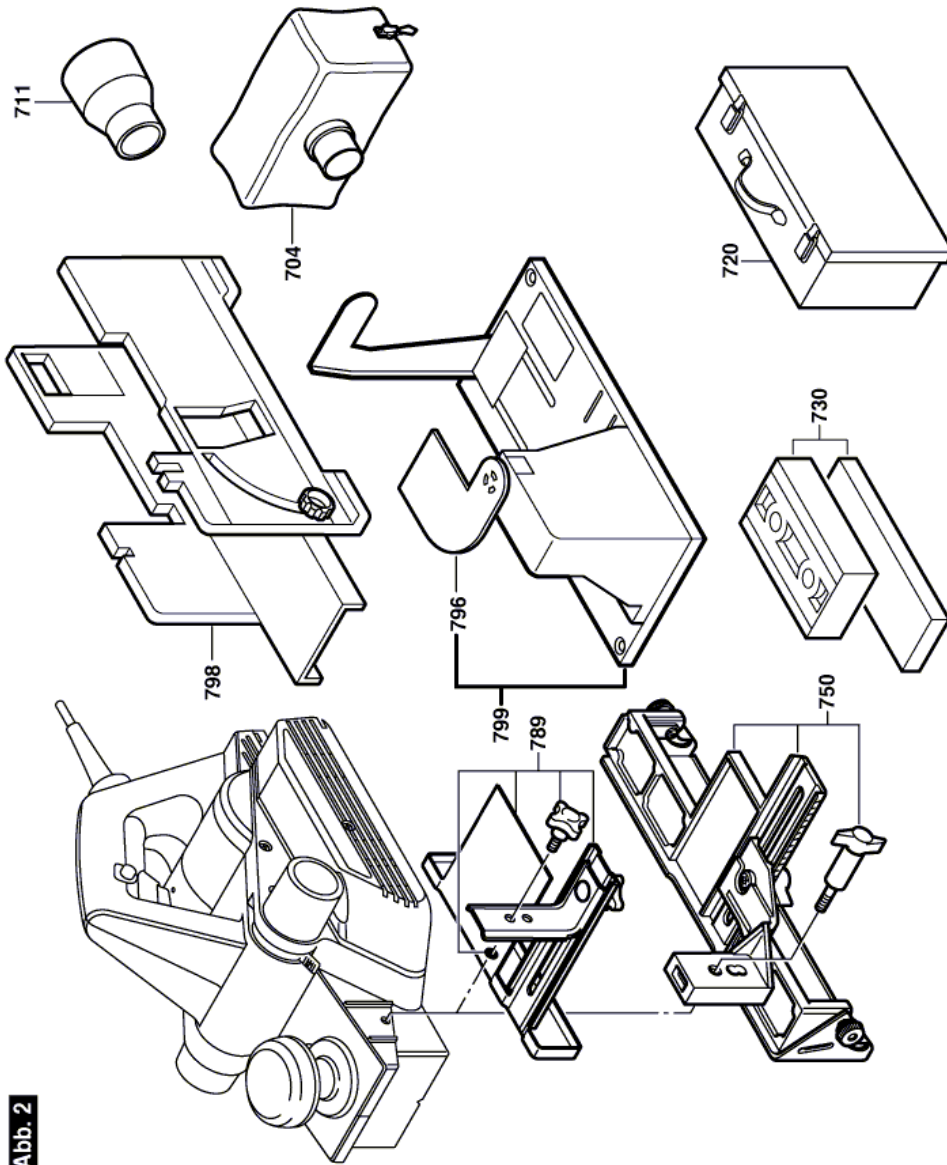


Illustration - Type E



0 603 296 045  
Stand | ~~08-06-04~~  
Issue | 08-06-04  
**Fig./Abb. 2**

Änderungen vorbehalten  
Modifications reserved  
Modificacions reserves  
Salvo modificaciones

Information subject to change without further notice.