



**BOSCH**

# Portable Planer

PHO 16-82 | 0 603 365 043

---

## Table of Content

Spare parts list.....	2
Illustration - Type.....	3

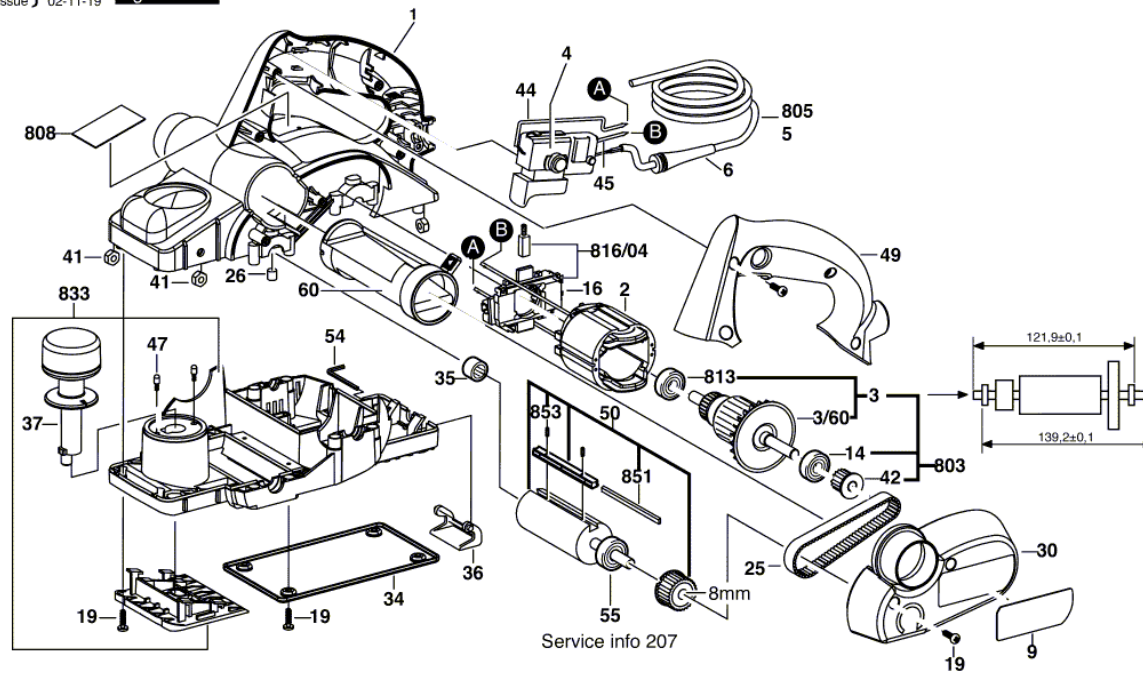
Spare parts list

Item	Part Number	Description		
1	2 605 105 037	Housing Section	GREEN	
2	2 610 390 992	Field	230V	
3	2 604 011 196	Armature	230-240V	
3/60	2 606 610 096	Fan		
4	2 607 200 531	Switch		
6	2 600 703 017	Grommet	Ø6,4-Ø7,2x76 MM	
14	1 610 905 011	groove ball bearing	9x24x7	
16	2 604 337 086	Brush Plate		
19	2 603 490 022	Screw	4x16	
25	2 604 736 001	Toothed Belt		
26	2 603 100 056	Damping rubber		
30	2 605 500 149	Gear Cover	BLACK	
34	2 608 000 225	Base Plate		
35	1 610 910 057	Needle bearing	Ø8xØ12x10 MM	
36	2 601 329 104	Knife Guard		
37	2 602 026 094	Handle	BLACK	
41	2 915 011 007	Hex Nut	DIN 934-M6-8-A	
42	2 606 625 030	Toothed Belt Wheel		
44	2 604 448 221	Connecting Cable	L = 300 MM	WHITE
45	2 604 448 222	Connecting Cable	L = 325 MM	WHITE
47	2 600 590 006	Ratchet Cap		
49	2 605 133 029	Handle Plate	GREEN	
50	2 608 584 003	Planer Head		
54	1 907 950 003	Offset Screwdriver	DIN 911 SW2,5	
55	2 600 905 052	groove ball bearing	8x22x7	
60	2 600 409 027	Deflector Pipe		
803	2 604 010 990	Armature		
808	2 601 117 273	Nameplate		
813	2 600 905 051	groove ball bearing	7x19x6	
816/04	2 607 014 014	Carbon-Brush Set		
833	2 608 000 921	Base Frame		
851	2 608 635 341	Planing Knife		
853	2 603 400 016	Set screw		

Illustration - Type - E

0 603 365 003  
 Stand | 02-11-19  
 Issue

Fig./Abb. 1



Änderungen vorbehalten  
 Modifications reserved  
 Modifications reserves  
 Salvo modificaciones