

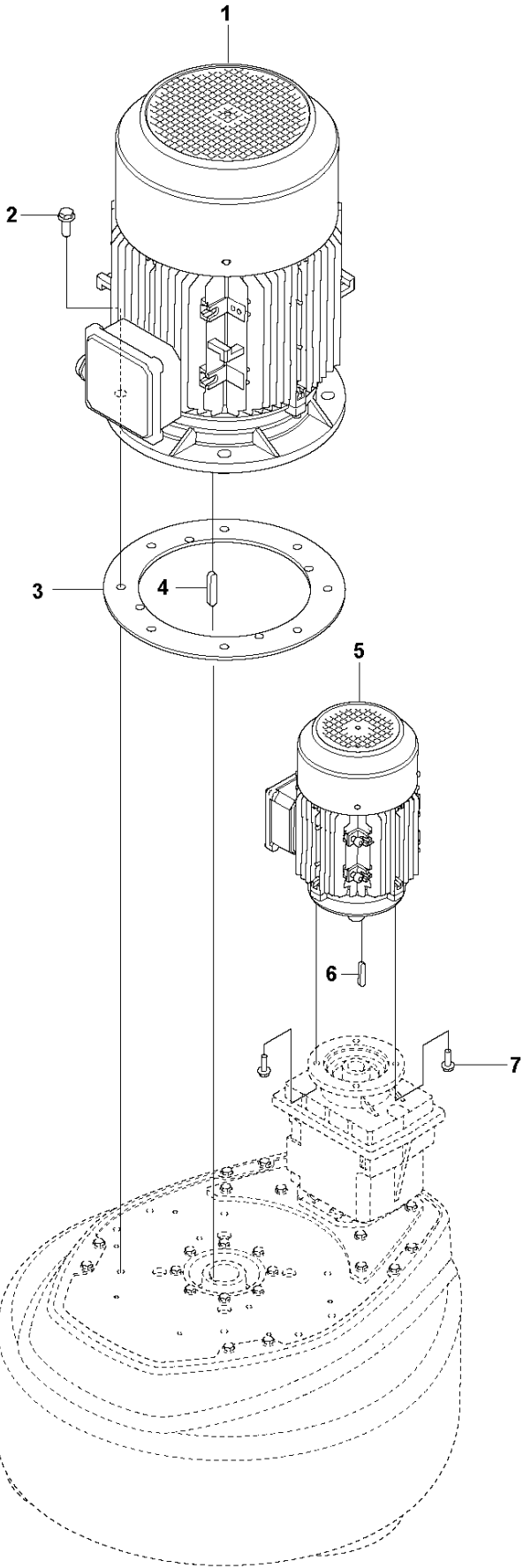


# SPARE PARTS LIST

SURFACE PREPARATION EQUIPMENT

PG 690 RC, 2020-06

**A** PG 690 RC  
MOTOR

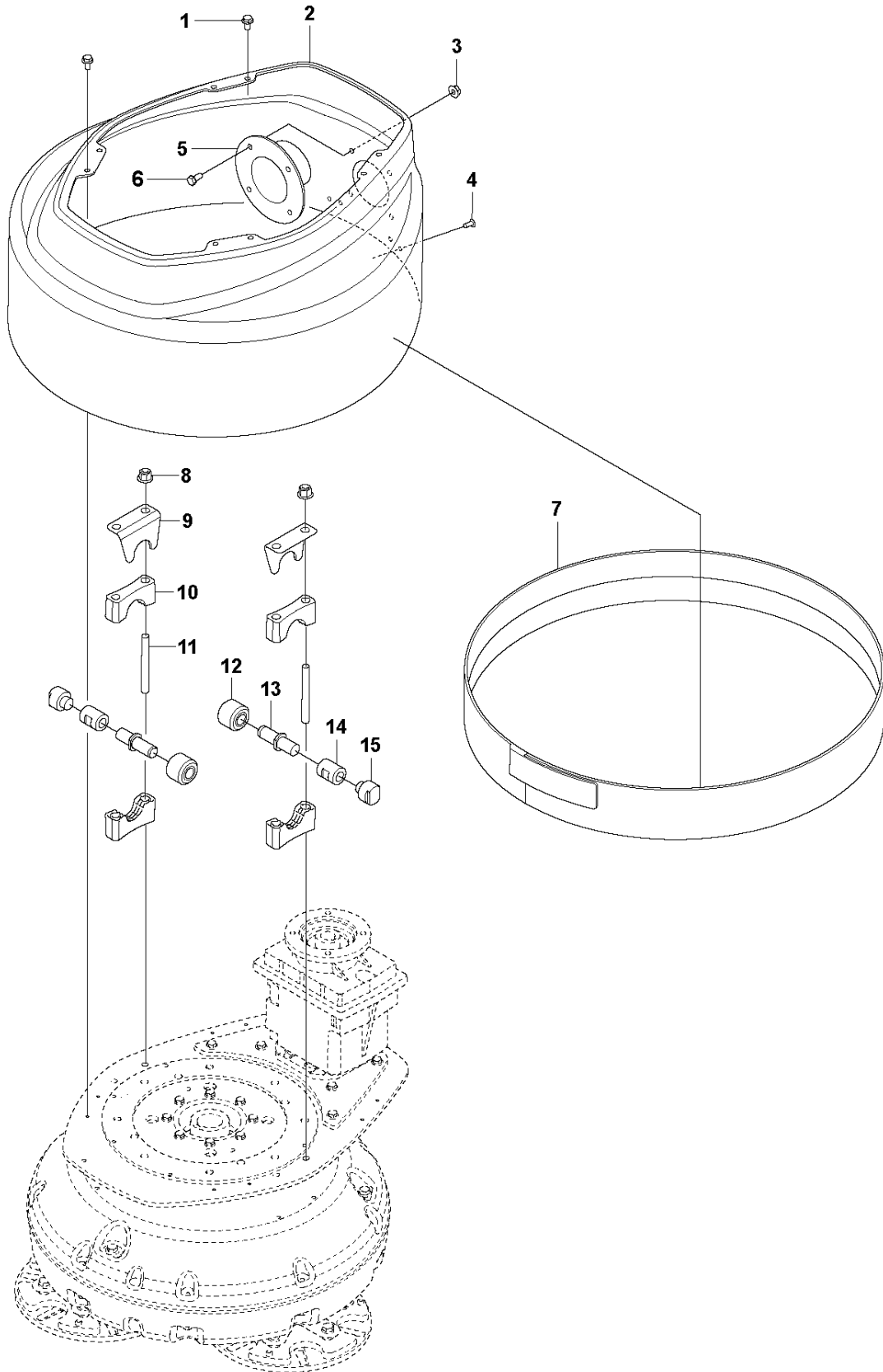


## MOTOR

PG 690 RC, 2020-06

Ref	Part No	Description	Remark	QTY KIT
1	595 53 09-01	MOTOR	11KW, 230-400V 50/60Hz	1
2	598 74 98-01	SCREW	M12x35 DRI-SEAL	4
3	597 25 51-01	SEAL		1
4	000 00 00-00	W/O DESCRIPTION	L=88mm W=12mm t=8mm	1
5	597 77 41-01	MOTOR	1,5KW 230-400V 50/60Hz	1
6	000 00 00-00	W/O DESCRIPTION	L=40mm W=8mm t=7mm	1
7	506 57 01-05	SCREW EHHFM	M8x25	4

**B** PG 690 RC  
GRINDING HEAD, OUTER

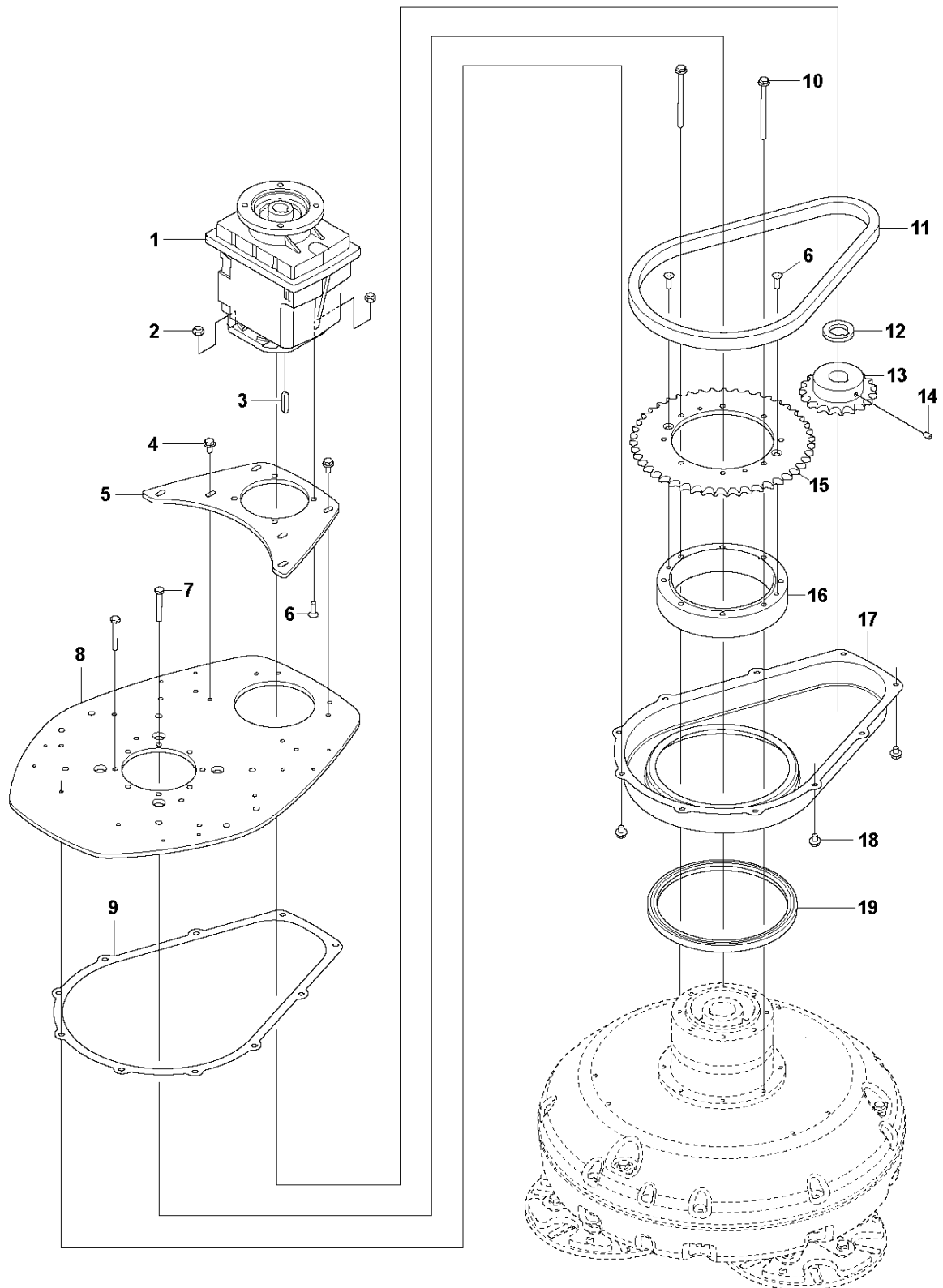


## GRINDING HEAD, OUTER

PG 690 RC, 2020-06

Ref	Part No	Description	Remark	QTY KIT
1	597 72 09-01	SCREW	M8x10	8
2	597 47 38-01	DUST COVER		1
3	576 64 57-03	NUT FLANGE		4
4	593 50 08-01	RIVET		4
5	599 31 60-01	HOSE CONNECTOR		1
6	531 11 94-26	SCREW		4
7	598 03 43-01	RUBBER SKIRT		1
8	576 64 57-06	NUT FLANGE	M12 Nylon lock	4
9	598 77 80-01	STOP	Suspension Bushing	2
10	593 54 20-01	CLAMP	Suspension	4
11	597 80 33-01	STUD		4
12	593 53 90-01	SUSPENSION	rubber	2
13	593 53 83-01	AXLE		2
14	593 53 84-01	NUT	Grinding head suspension	2
15	598 39 97-01	SUPPORT	Support	2

**C** PG 690 RC  
GEARBOX & TRANSMISSION

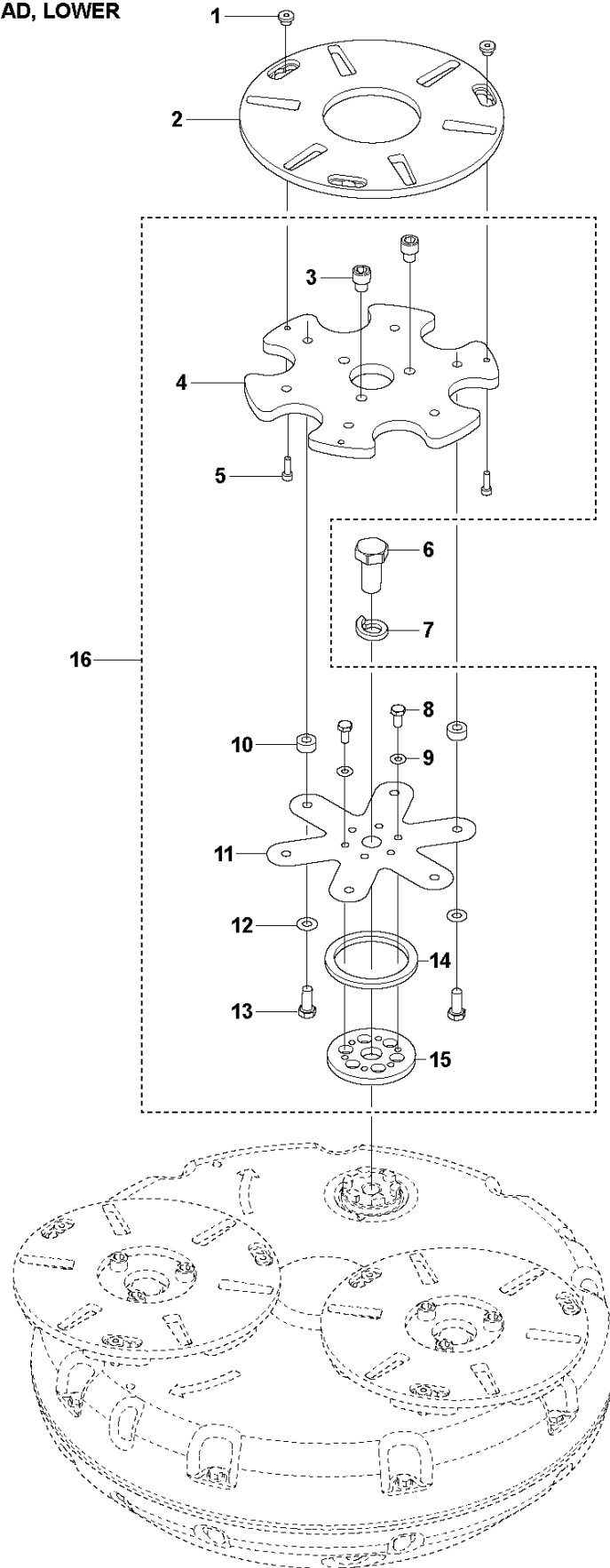


## GEARBOX &amp; TRANSMISSION

PG 690 RC, 2020-06

Ref	Part No	Description	Remark	QTY KIT
1	597 60 59-01	GEARBOX		1
2	522 91 94-01	LOCK NUT	M8 Lock Nut	4
3	000 00 00-00	W/O DESCRIPTION	L=50mm W=8mm t=7mm	1
4	506 57 01-03	SCREW EHHFM	M8x16	6
5	597 60 77-01	PLATE	Secondary motor	1
6	725 64 53-01	SCREW IHCSFM	M8x25	6
7	725 24 62-51	SCREW EHHM	ISO 4014	8
8	597 54 43-01	PLATE	DD motor base 640	1
9	597 70 72-01	SEAL	Housing, PG640	1
10	598 74 96-01	SCREW	M8x110	8
11	597 60 38-01	CHAIN	DD 640	1
12	597 70 73-01	SPACER RING	Driving Sprocket	1
13	597 60 32-01	SPROCKET	Drive	1
14	505 39 03-01	SCREW IHSETM	M8x12 drylock	1
15	597 60 34-01	SPROCKET	Driven DD 640	1
16	597 60 53-01	SPACER RING	Driven sprocket	1
17	597 60 56-01	TRANSMISSION COVER	DD 640	1
18	597 72 09-01	SCREW	M8x10 drylock	10
19	597 60 58-01	RADIAL SEAL	210x240x15	1

**D** PG 690 RC  
GRINDING HEAD, LOWER



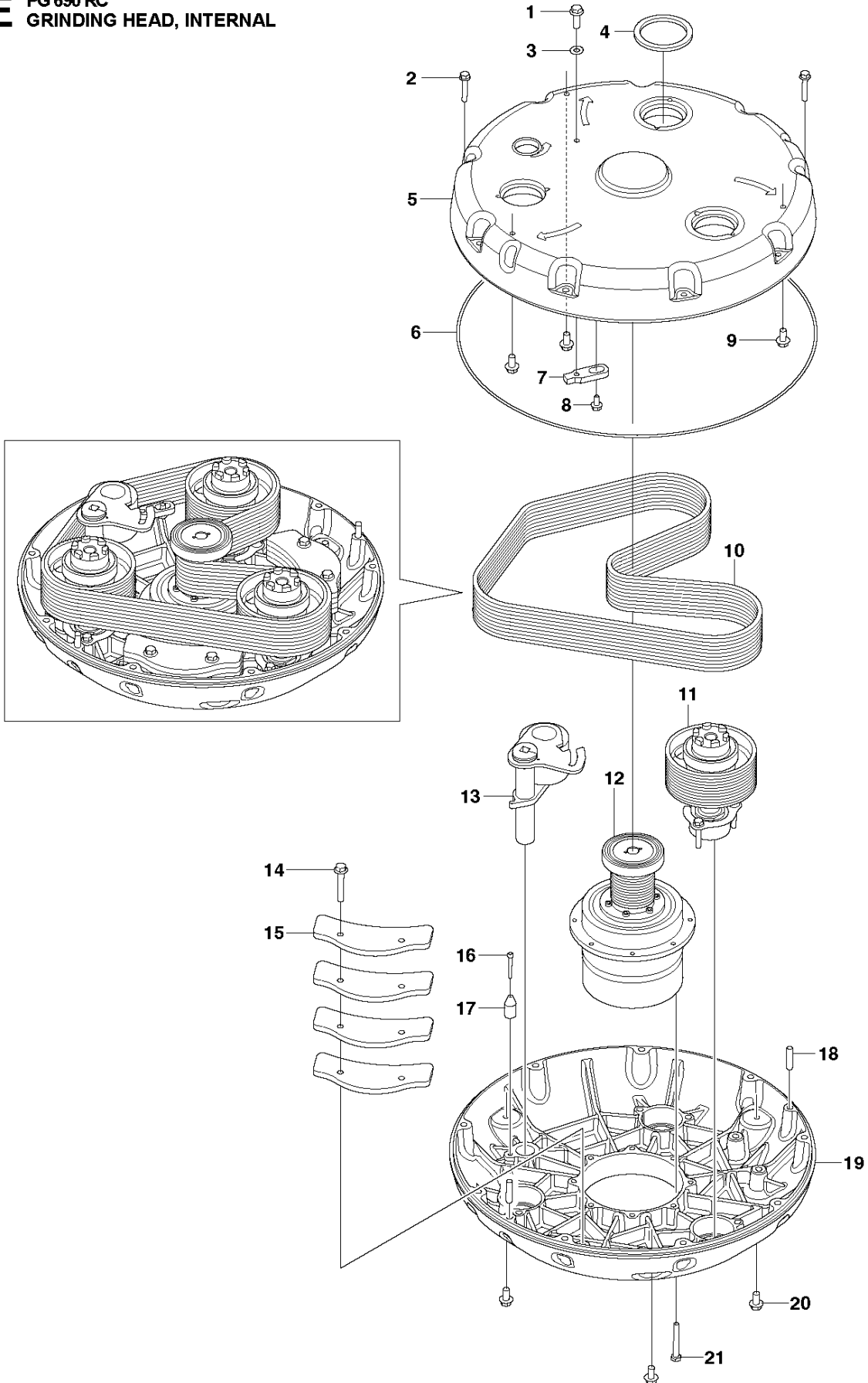


## GRINDING HEAD, LOWER

PG 690 RC, 2020-06

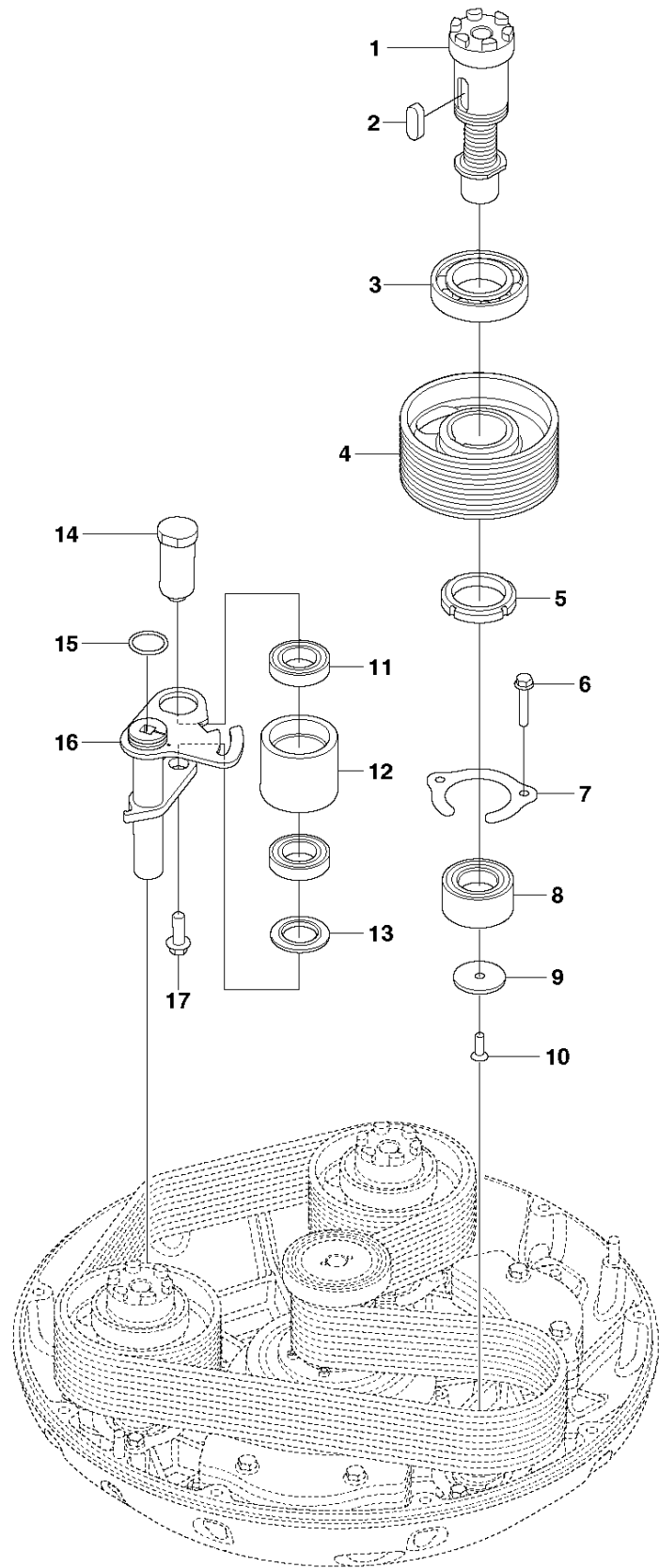
Ref	Part No	Description	Remark	QTY KIT	
1	587 45 14-01	LOCK	M6 drylock	9	
2	502 53 22-01	HOLDER		3	
3	597 16 23-01	SCREW	M12x12 12.9	3	16
4	502 53 40-02	PLATE	Head - Spring steel system	1	16
5	725 53 70-51	SCREW IHSCM	M6x20 12.9	3	16
6	593 48 72-01	RADIAL SEAL	M8X45 8.8	3	
7	504 74 96-03	LOCKWASHER		1	
8	503 20 00-45	SCREW EHHFM	M8x16 10.9	6	16
9	734 11 63-01	WASHER	8.4x16x1.6	6	16
10	502 53 40-14	SPACER	10/20x11	6	16
11	597 68 91-01	SPRING	Grinding Holder	1	16
12	734 11 72-01	WASHER	10.5x20x2	6	16
13	725 24 93-76	SCREW EHHM	M10x25 10.9	6	16
14	502 53 43-01	RING	55/108x17mm (PG820/680)	1	16
15	502 53 40-06	HUB		1	16
16	502 53 40-01	SPRING	Kit Assy	3	

**E** PG 690 RC  
GRINDING HEAD, INTERNAL



Ref	Part No	Description	Remark	QTY KIT
1	593 96 41-01	SCREW	M10x30	1
2	593 51 37-01	SCREW	M8x45	9
3	593 96 42-01	WASHER	10X20X1 - Copper	1
4	593 48 72-01	RADIAL SEAL	60x75x8	3
5	595 76 11-01	HOUSING	T6 Bottom	1
6	593 48 71-01	O-RING		1
7	593 53 81-01	TENSIONER	Locking plate	1
8	593 96 40-01	SCREW	M8x16	1
9	597 55 20-01	SCREW	M10x20	3
10	593 49 05-01	BELT	T6	1
11	598 47 77-01	SHAFT ASSY	Complete Idle Pulley 690	1
12	597 72 25-01	HUB ASSY	Complete Center Pulley 690	1
13	593 54 37-01	BELT TENSIONER		1
14	595 68 15-01	SCREW	M10x60	4
15	595 71 40-01	COUNTERWEIGHT	Weight T6	8
16	597 55 25-01	SCREW	M6x45	1
17	595 71 39-01	TENSIONER		1
18	593 51 41-01	PIN	10x40	2
19	595 76 11-01	HOUSING	T6 Top	1
20	593 96 41-01	SCREW	M10x30	1
21	598 74 96-01	SCREW	M8x110	8

**F** PG 690 RC  
IDLER PULLEY ASSY

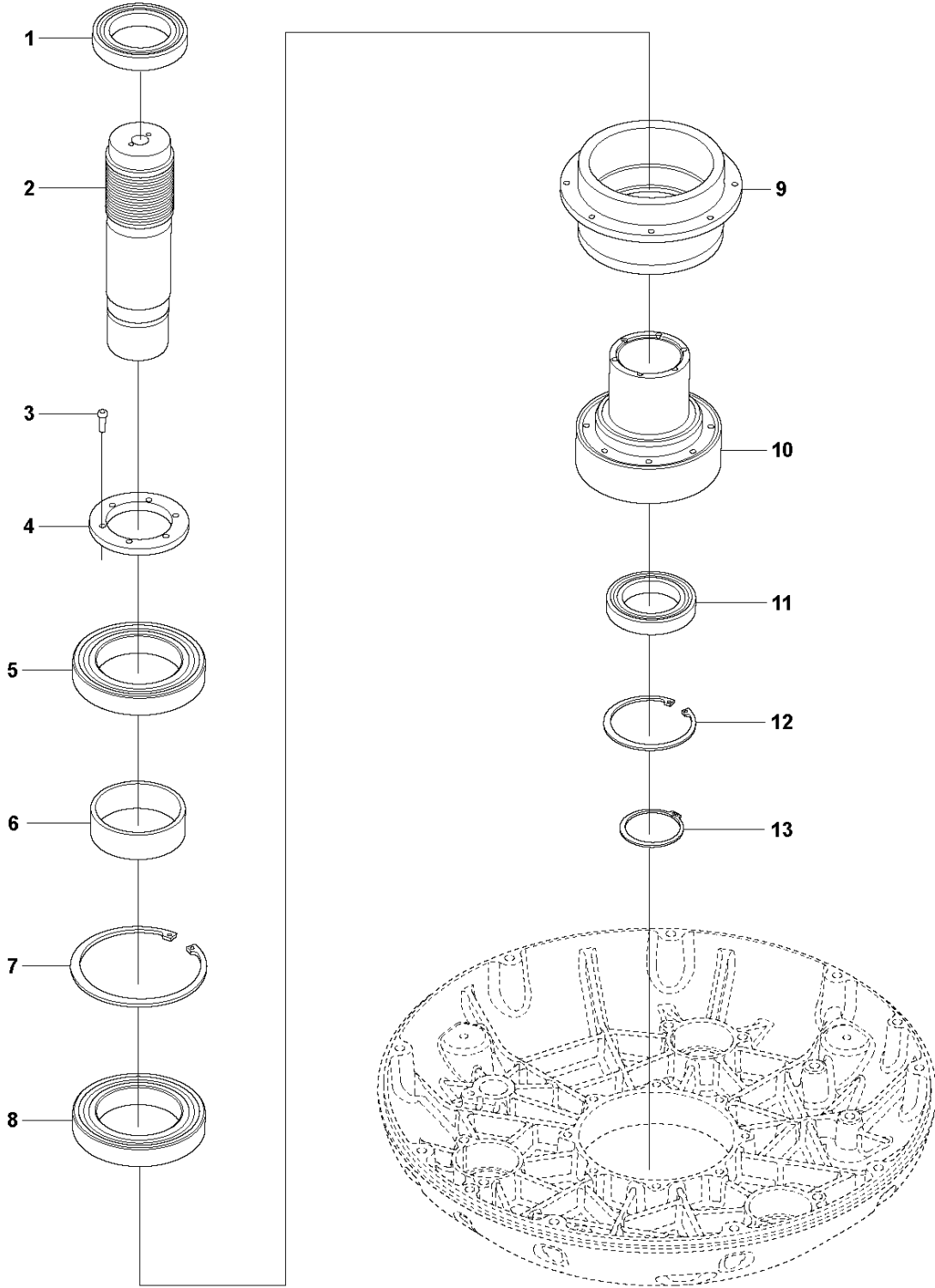


## IDLER PULLEY ASSY

PG 690 RC, 2020-06

Ref	Part No	Description	Remark	QTY KIT
1	598 02 75-01	SHAFT		1
2	593 48 76-01	KEY	14x9x36	1
3	593 49 27-01	BALL BEARING	6210-2Z C3	1
4	595 75 75-01	PULLEY	Ø150 18PK	1
5	593 48 79-01	NUT		1
6	506 57 01-05	SCREW EHHFM	M8x25	6
7	595 71 00-01	WASHER	Grinding Shaft	3
8	593 48 77-01	BEARING	Hub	1
9	595 70 99-01	WASHER	Pretension washer	1
10	593 50 17-01	SCREW	M8x25	1
11	593 49 28-01	BALL BEARING	6007-2Z C3	4
12	595 70 98-01	PULLEY	Idler Ø80	2
13	595 75 73-01	SPACER		1
14	595 76 14-01	AXLE		1
15	593 48 78-01	O-RING	34.2x3	1
16	595 76 06-01	TENSIONER	Belt Tensioner	1
17	595 68 01-01	SCREW	M12x35	1

**G** PG 690 RC  
CENTRAL HUB ASSY

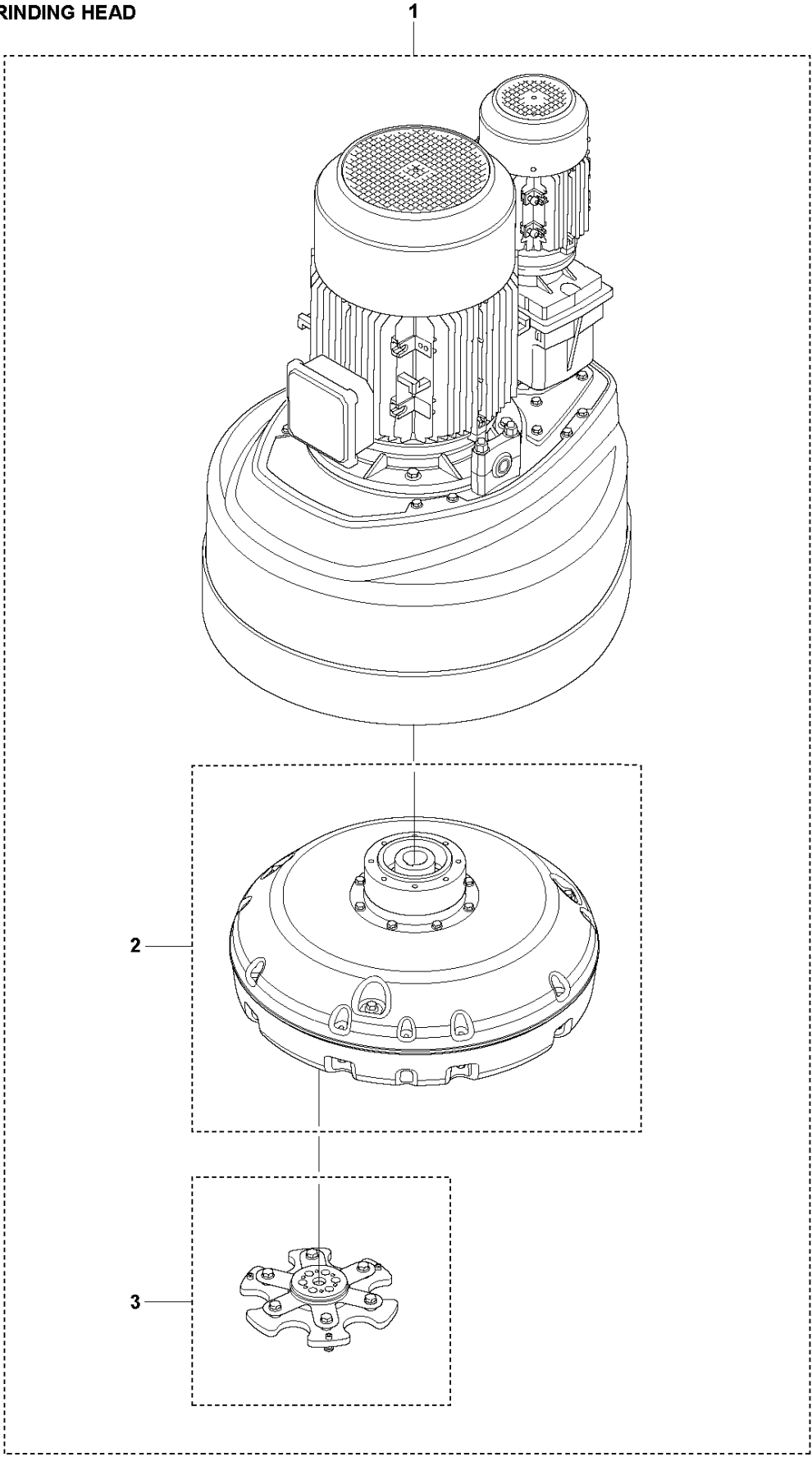


## CENTER HUB ASSY

PG 690 RC, 2020-06

Ref	Part No	Description	Remark	QTY KIT
1	593 49 26-01	BALL BEARING	6013-2Z C3	2
2	595 74 40-01	ADAPTER	SPECIAL CENTER Ø75	1
3	593 51 42-01	SCREW	M6x20	6
4	597 72 21-01	RETAINER		1
5	593 62 99-01	BALL BEARING	6018-2RS1	2
6	595 71 31-01	SPACER		1
7	595 67 98-01	CIRCLIP	140x4, internal	1
8	593 62 99-01	BALL BEARING	6018-2RS1	2
9	595 71 30-01	HUB	Hub outer	1
10	593 54 29-01	HUB	Center	1
11	593 49 26-01	BALL BEARING	6013-2Z C3	2
12	593 50 30-01	CIRCLIP	100x3, internal	1
13	593 50 29-01	CIRCLIP	65x2.5, external	1

**H** PG 690 RC  
GRINDING HEAD



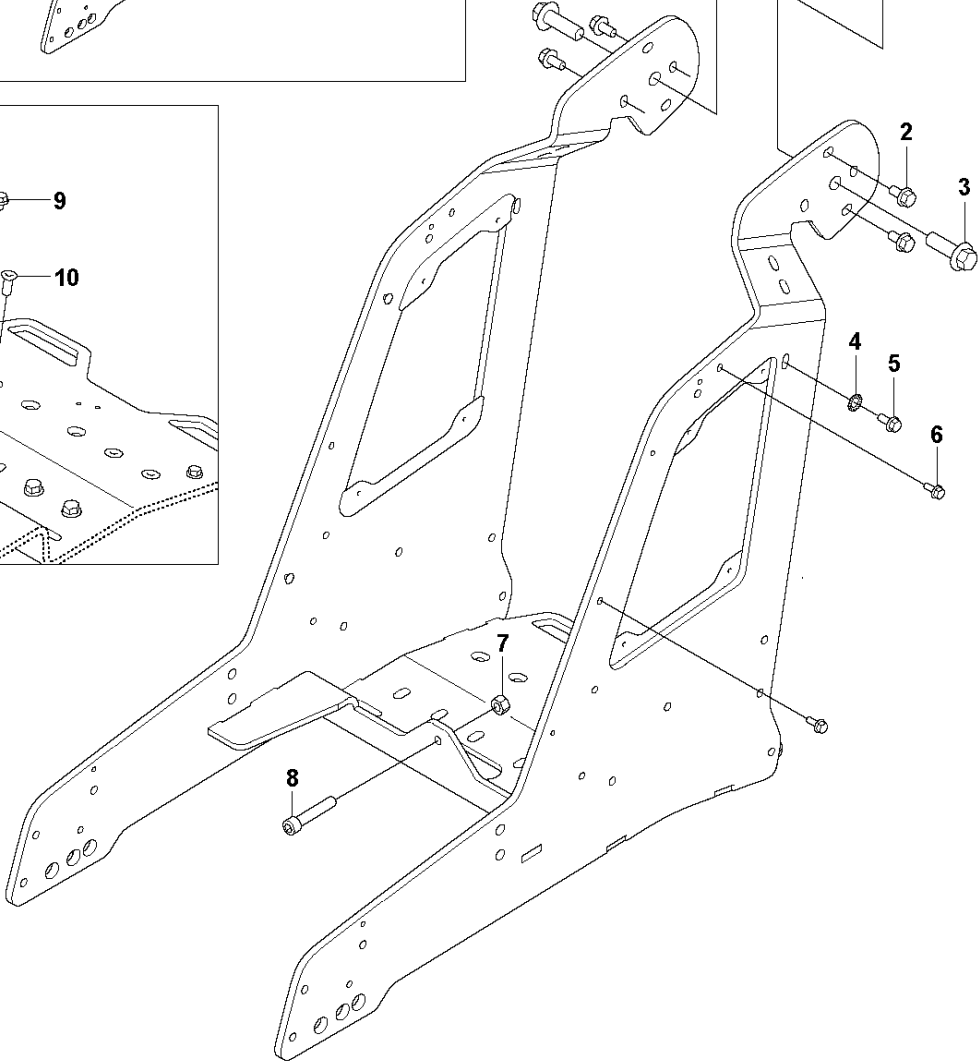
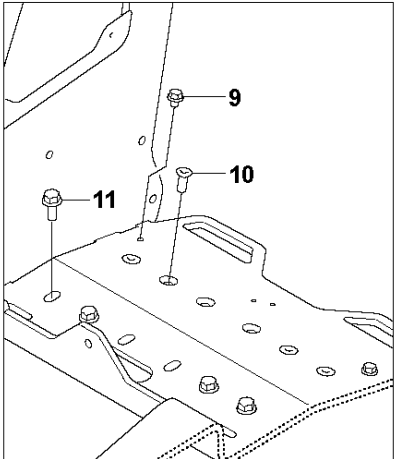
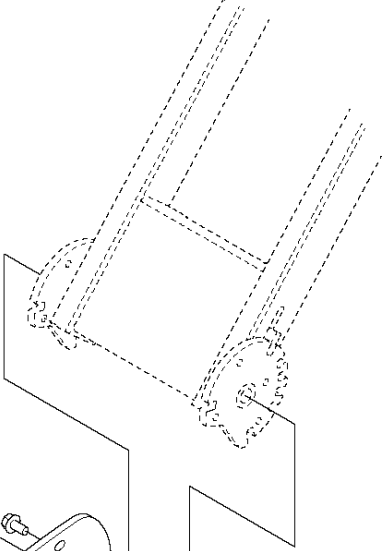
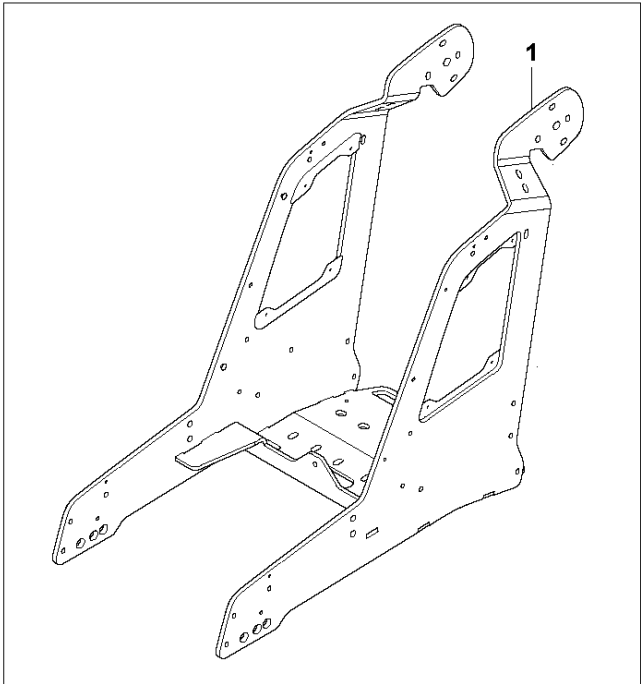


GRINDING HEAD

PG 690 RC, 2020-06

Ref	Part No	Description	Remark	QTY KIT	
1	597 74 24-01	GRINDING HEAD	incl Motor, Shroud & Tool Holders	1	
2	597 77 00-01	GRINDING HEAD	excl Motor and Dual Drive	1	1
3	502 53 40-01	SPRING	CPL Tool Holder, Head Locks	3	1

**J** PG 690 RC  
CHASSIS

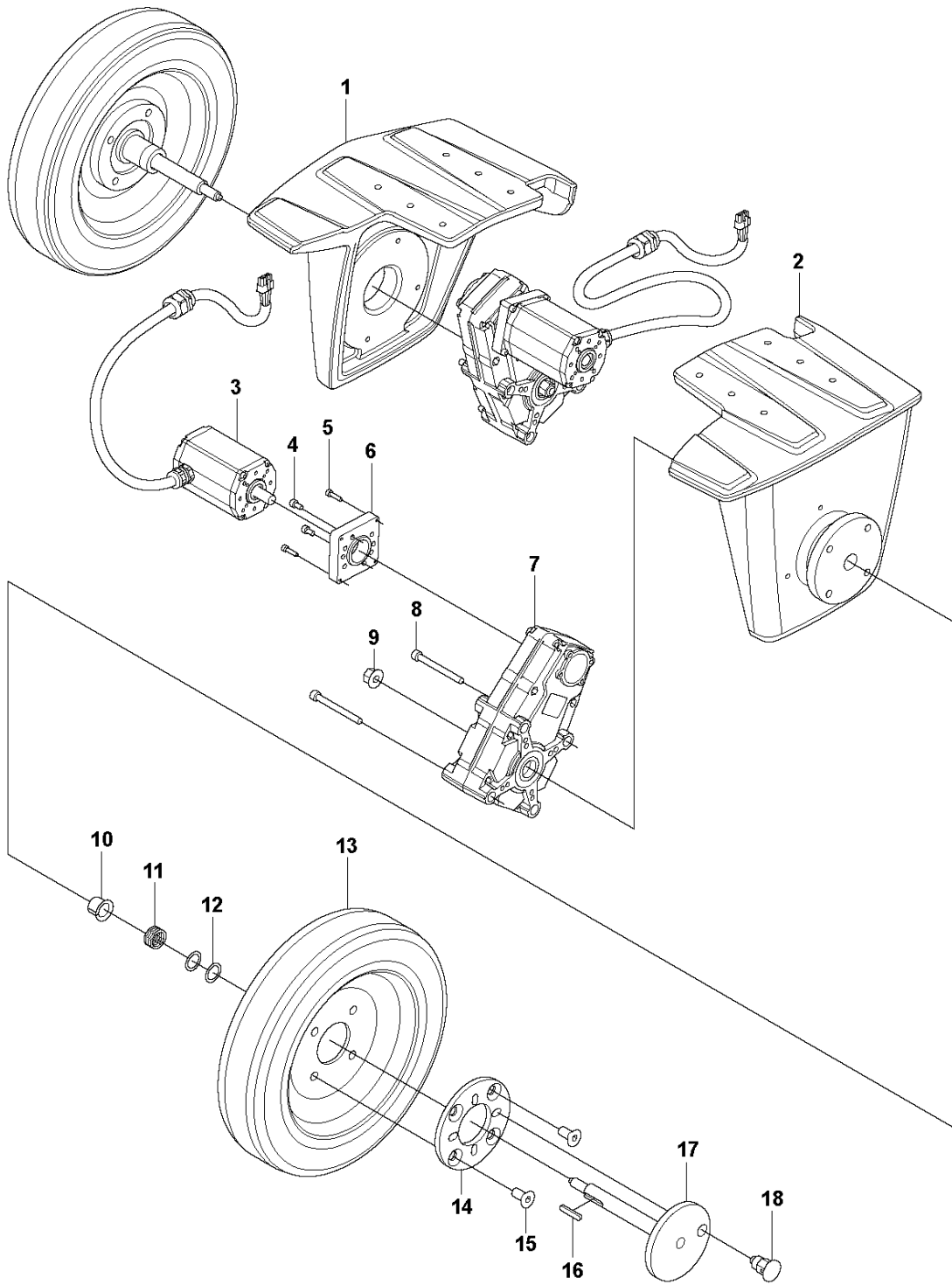


## CHASSIS

PG 690 RC, 2020-06

Ref	Part No	Description	Remark	QTY KIT
1	596 61 20-01	FRAME ASSY	Weld Assy	1
2	593 51 48-01	SCREW	M10x20	8
3	582 64 48-01	BOLT	M16x50	2
4	735 21 64-01	LOCKWASHER	8.4x15	4
5	506 57 01-04	SCREW EHHFM	M8x20	2
6	585 98 06-01	SCREW EHHFM	M6x16	6
7	731 23 22-01	HEXAGON NUT	M12	1
8	725 25 38-71	SCREW EHHM	M12x35	1
9	597 72 09-01	SCREW	M8x10	2
10	593 50 24-01	SCREW	M10X30 10.9 DRI-LOC	4
11	585 97 31-01	SCREW EHHFM	M10x25	4

**K** PG 690 RC  
DRIVE WHEEL ASSY

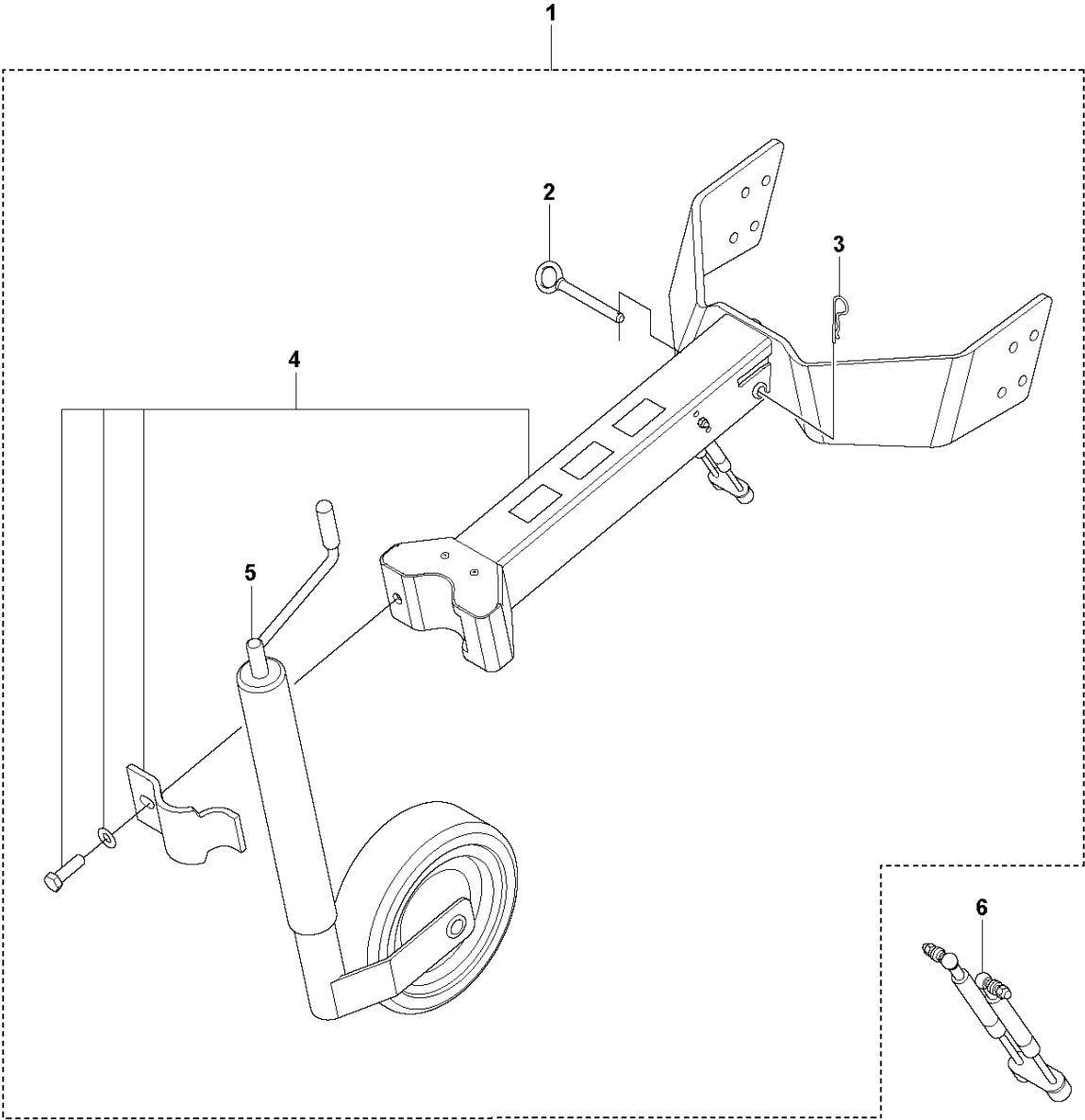


## DRIVE WHEEL ASSY

PG 690 RC, 2020-06

Ref	Part No	Description	Remark	QTY KIT
1	597 80 19-01	HUB ASSY	RH	1
2	597 80 20-01	HUB ASSY	LH	1
3	597 61 24-01	DRIVE MOTOR	LH/RH	2
4	593 50 07-01	SCREW	M6X16	8
5	599 23 05-01	SCREW	M5x18 - DRI LOC	8
6	593 54 03-01	ADAPTER		2
7	597 61 26-01	GEARBOX	LH/RH	2
8	725 54 67-01	SCREW IHSCM	M8x80	8
9	576 64 57-06	NUT FLANGE	M12	2
10	593 49 39-01	BUSHING	Bronze	2
11	593 49 08-01	SPRING		2
12	593 51 44-01	RING	20x28x0.3	4
13	593 48 93-01	WHEEL	690 RC	2
14	593 54 57-01	SPACER		2
15	595 68 04-01	SCREW	M12x25	8
16	593 49 07-01	KEY	6x6x36	1
17	593 54 56-01	DRIVE SHAFT ASSY	Assy	2
18	593 54 58-01	PISTON		2

**L** PG 690 RC  
SUPPORT WHEEL

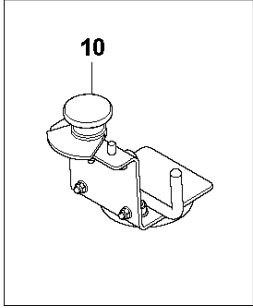
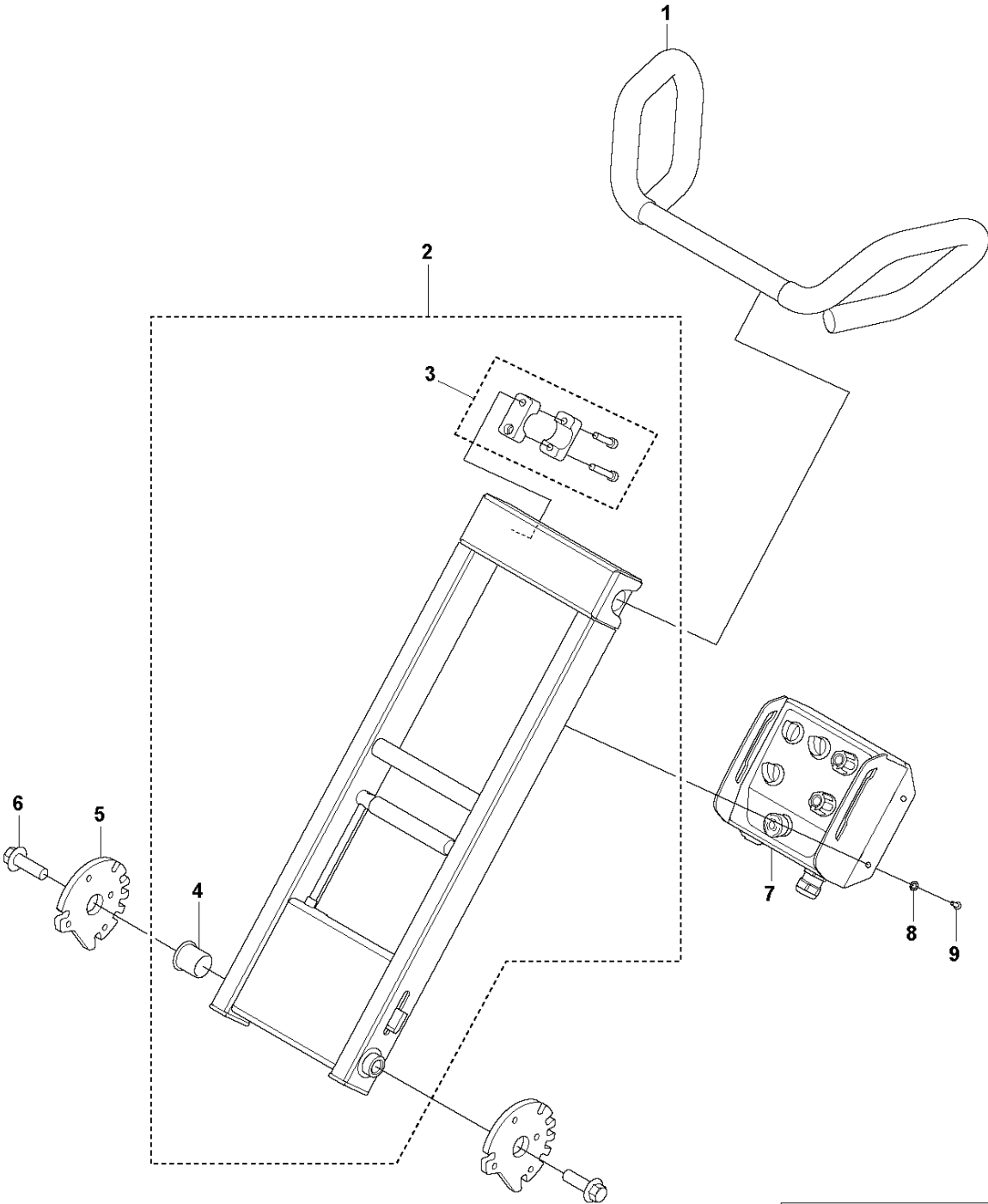


SUPPORT WHEEL

PG 690 RC, 2020-06

Ref	Part No	Description	Remark	QTY	KIT
1	598 41 87-01	SUPPORT WHEEL		1	
2	598 41 93-01	AXLE		1	1
3	721 68 02-51	SPRING COTTER		1	1
4	598 76 59-01	SUPPORT WHEEL	Arm, Holder and Gas Spring Kit	1	1
5	593 47 00-01	SUPPORT WHEEL		1	1
6	598 76 53-01	GAS SPRING	Kit	1	

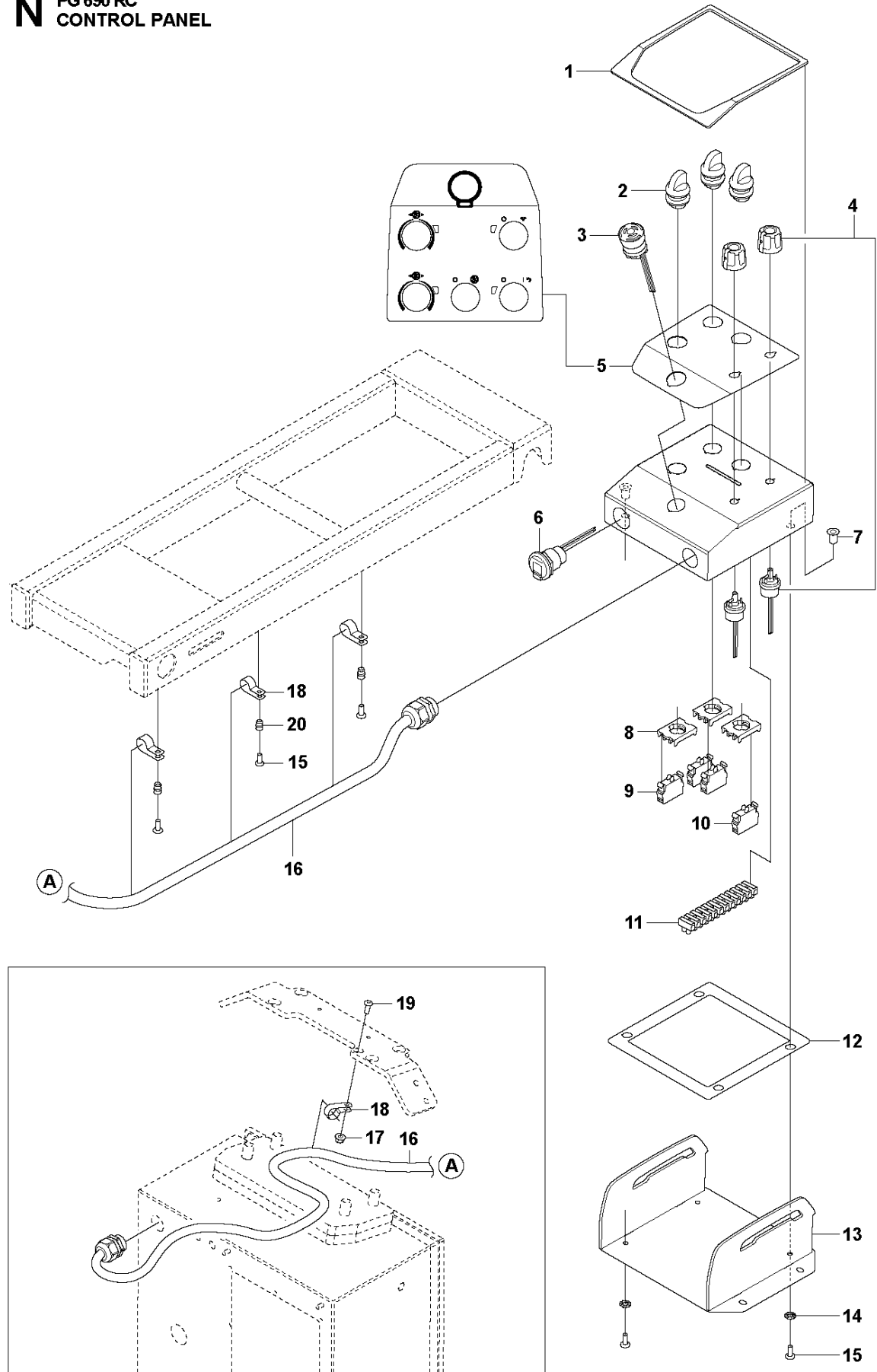
**M** PG 690 RC  
FRAME, UPPER





Ref	Part No	Description	Remark	QTY	KIT
1	597 18 39-01	HANDLE		1	
2	597 80 35-01	HANDLEBAR ASSY	Pre-assembled arm	1	
3	599 65 64-01	CLAMP		2	2
4	597 79 70-01	BUSHING		2	2
5	596 61 24-01	LOCKING PLATE		2	
6	582 64 48-01	BOLT	M16x50	2	
7	599 77 21-01	CONTROL PANEL	HMI Assy 690/830 DD	1	
8	735 21 53-01	LOCKWASHER	6.4x11	4	
9	531 11 94-26	SCREW	M6x16	4	
10	598 94 95-01	HOLDER KIT	Magnetic	1	

**N** PG 690 RC  
CONTROL PANEL

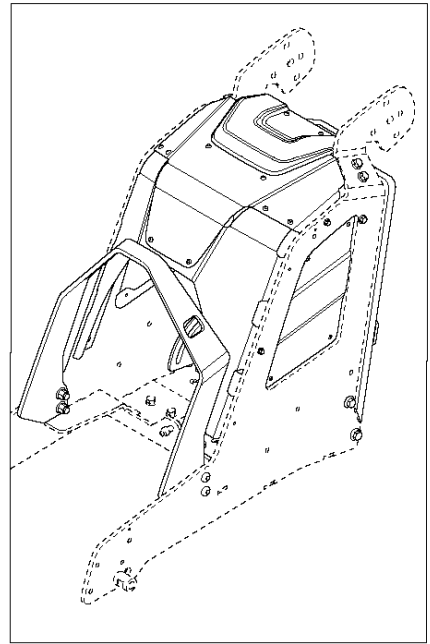
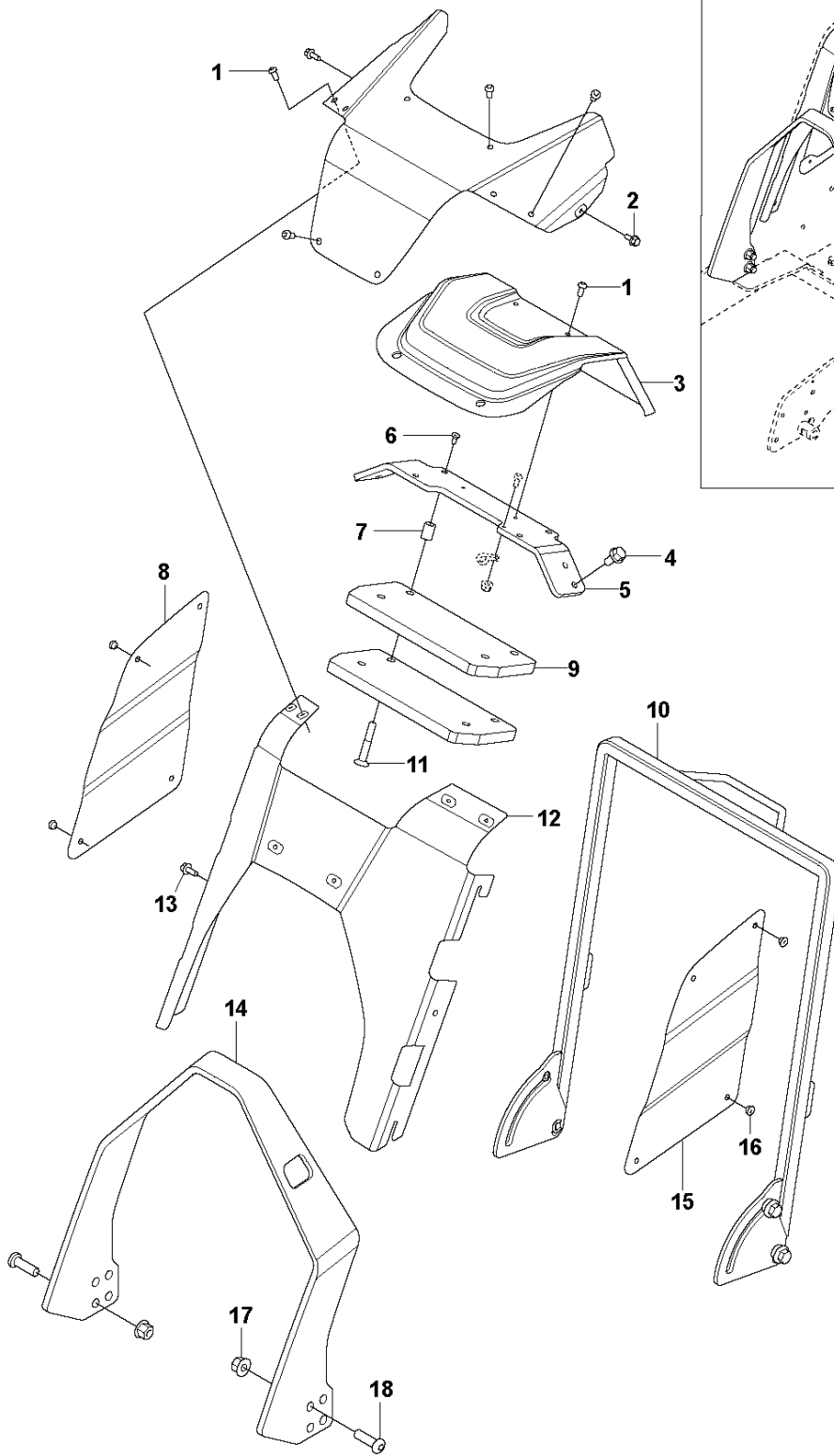


## CONTROL PANEL

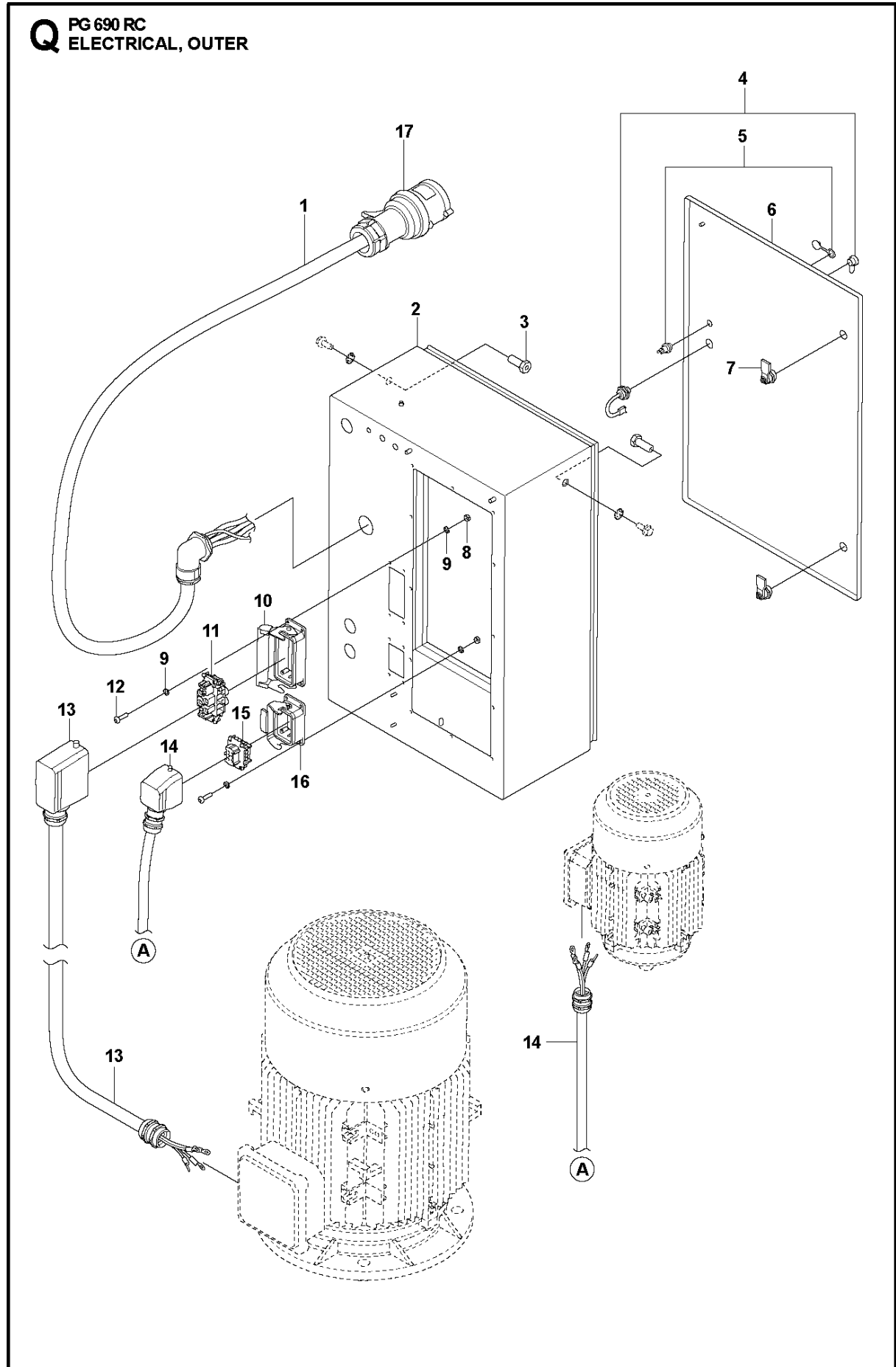
PG 690 RC, 2020-06

Ref	Part No	Description	Remark	QTY KIT
1	597 65 41-01	PLATE		1
2	598 53 98-01	SWITCH		3
3	598 54 15-01	SWITCH		1
4	587 28 36-01	SWITCH		2
5	598 55 59-01	STICKER	HMI Decal	1
6	598 55 60-01	CONTACT		1
7	591 95 78-01	RIVET	M5 Rivet Nut	4
8	598 53 95-01	SWITCH		3
9	598 55 70-01	CONTACT	EATON M22-K01/216378	2
10	598 54 00-01	CONTACT	EATON M22-K10/216376	2
11	598 55 71-01	TERMINAL BLOCK	Terminal block, 4mm <sup>2</sup>	1
12	598 42 96-01	GASKET	Gasket, HMI	1
13	597 64 61-01	BRACKET	Holder, HMI	1
14	735 21 46-01	LOCKWASHER	5.3x10	4
15	593 50 91-01	SCREW	M5x12	7
16	598 53 91-01	FITTING	M25 Ø8-17 BLACK	1
17	576 64 57-03	NUT FLANGE	M6 Nylon lock	1
18	589 66 91-01	CLIP	Cable clip	4
19	522 66 90-01	SCREW IHSCFM	M6x20	1
20	597 97 82-01	RIVET	M5 Rivet Nut	3

**P** PG 690 RC  
FRAME, LOWER



Ref	Part No	Description	Remark	QTY KIT
1	531 11 94-26	SCREW	M6x16 Torx	10
2	585 98 06-01	SCREW EHHFM	M6x16 Flange	2
3	598 48 91-01	COVER		1
4	593 51 48-01	SCREW	M10x20	4
5	596 61 39-01	FRAME BRACKET		1
6	598 92 13-01	SCREW	M8x16	4
7	598 48 01-01	DISTANCE	20x15x12	4
8	597 24 97-01	COVER	Right	1
9	596 61 41-01	COUNTERWEIGHT		2
10	598 45 79-01	BAR	Assy	1
11	598 92 12-01	SCREW	M8x35	4
12	597 94 67-01	FRONT COVER		1
13	585 98 06-01	SCREW EHHFM	M6x16 Flange	4
14	597 39 89-01	LIFTING ARM		1
15	597 24 97-02	COVER	Left	1
16	593 50 08-01	RIVET	Blind rivet 4,8x12	8
17	576 64 57-06	NUT FLANGE	M12 Nylon Lock Nut	4
18	598 74 93-01	SCREW	M12x40 10.9	4

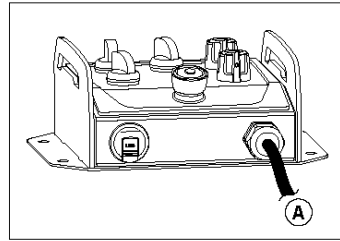
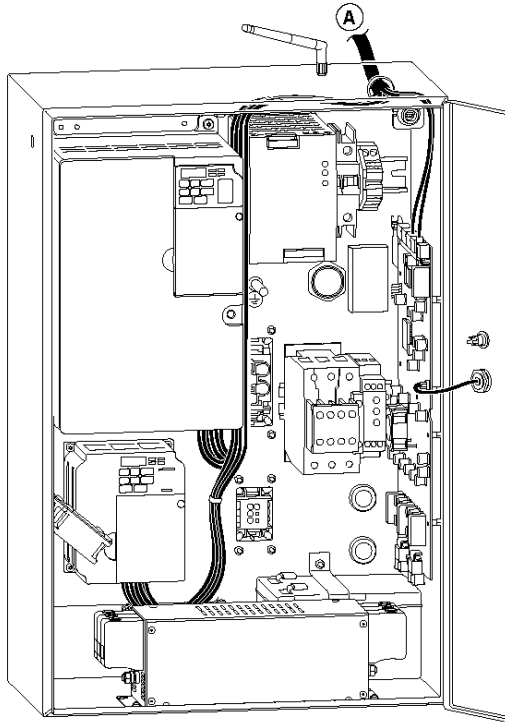


Ref	Part No	Description	Remark	QTY KIT
1	597 63 31-01	CABLE		1
2	597 61 43-01	ELECTRONIC BOX		1
3	595 72 13-01	SCREW	M12 Outer, M8 Inner	2
4	585 47 86-01	RUBBER PLUG	CAN Connector	1
4	576 87 78-03	CONTACT	Can Connector Assy 4-pole	1
5	598 52 67-01	CONTACT		1
5	598 52 68-01	CAP	DC Protection Cap	1
6	599 66 92-01	DOOR	Door incl. Locks and hinges	1
7	599 66 96-01	LOCK ASSY		2
8	731 23 12-01	HEXAGON NUT	M4	8
9	735 21 36-01	LOCKWASHER	4.3x8	16
10	598 51 91-01	BRACKET	Housing 11Kw	1
11	598 51 92-01	RECEPTACLE	Insert 11Kw	1
12	544 29 13-03	SCREW ITXPANM	M4x16	8
13	597 60 73-01	CABLE ASSY	Assy 11 Kw	1
14	597 60 75-01	CABLE ASSY	Assy 1.5 Kw	1
15	598 51 95-01	RECEPTACLE	Insert 1.5Kw	1
16	598 51 93-01	RECEPTACLE	Housing 1.5Kw	1
17	593 58 48-01	PLUG	3x380-415V 32A EU	1
17	502 54 40-01	PLUG	3x380-415V 32A AUS	1
17	593 58 44-01	PLUG	3x440-480V 30A US	1
17	597 52 84-01	PLUG	3x220-240V 50A US	1

**R** PG 690 RC  
ELECTRICAL WIRING

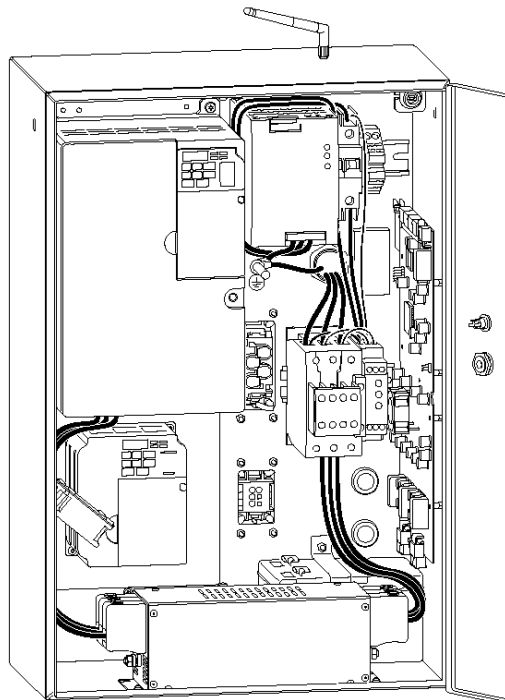
1

**CONTROL**



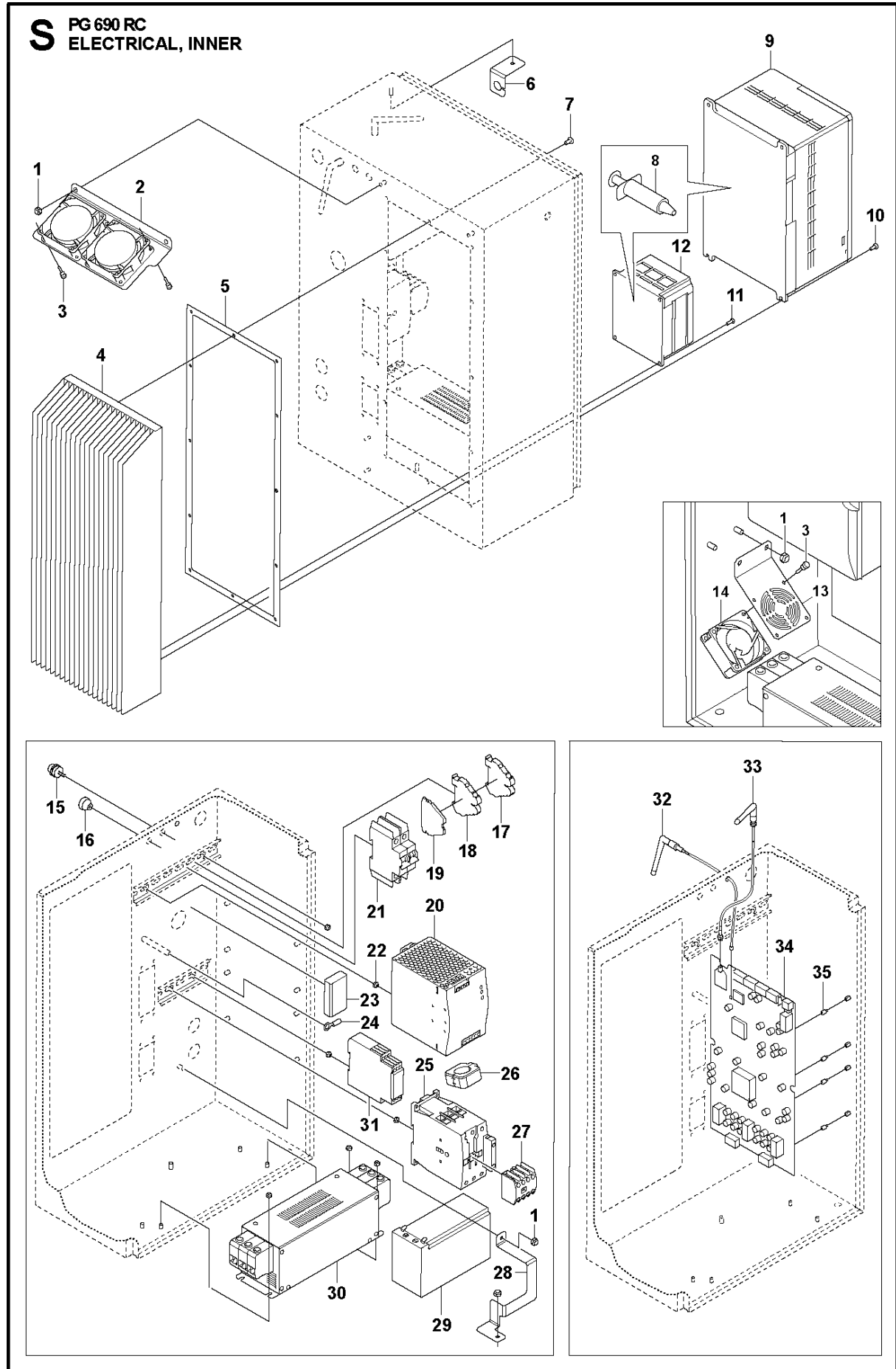
2

**POWER**



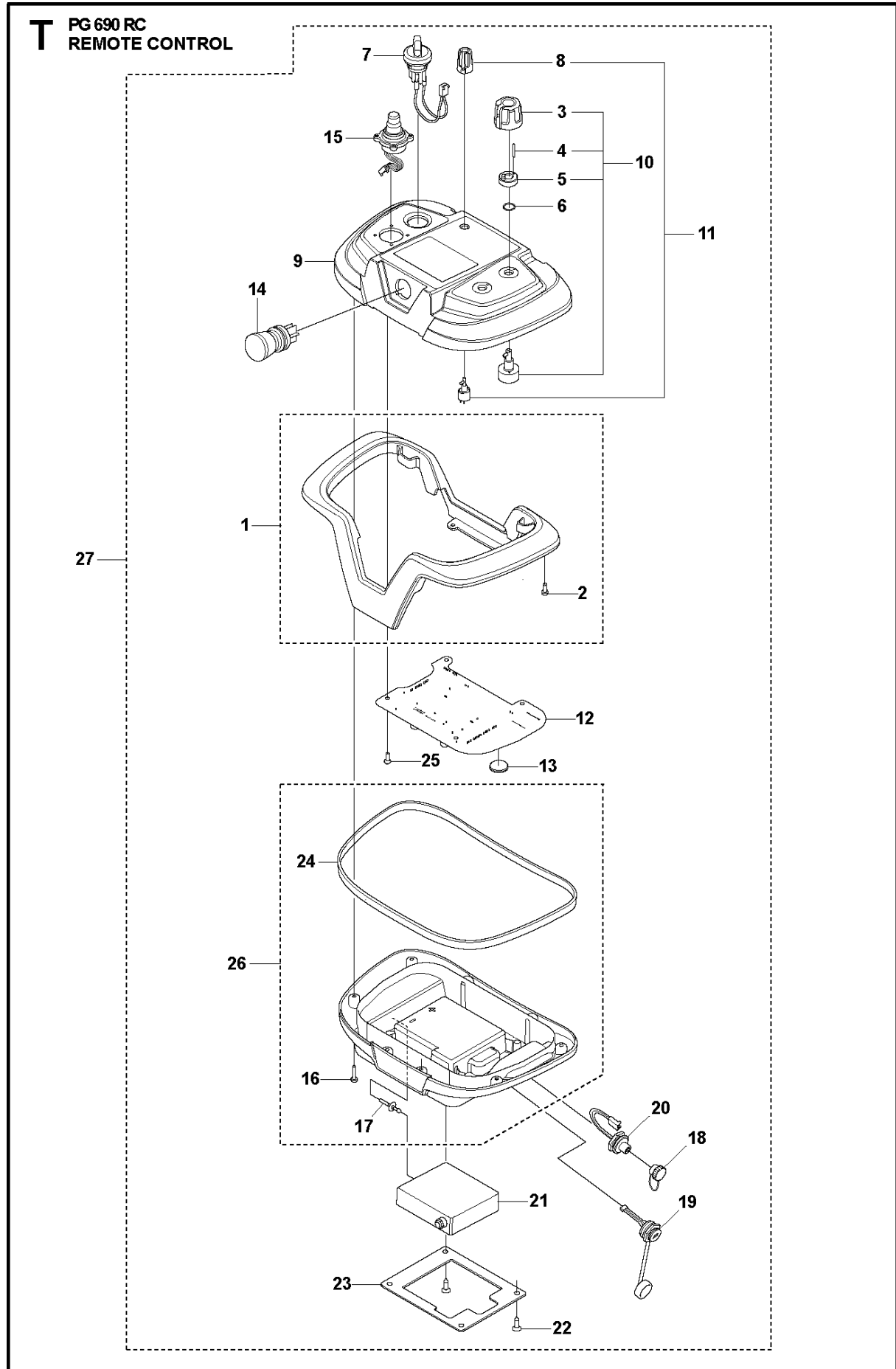


Ref	Part No	Description	Remark	QTY KIT
1	599 77 15-01	CABLE KIT		1
2	599 77 11-01	CABLE KIT		1



Ref	Part No	Description	Remark	QTY KIT
1	732 21 16-01	LOCK NUT	M6 Locknut	8
2	593 54 94-01	FAN	24VDC - Heatsink	1
3	595 74 43-01	FAN		8
4	597 63 36-01	HEAT SINK		1
5	597 63 33-01	GASKET		1
6	598 53 08-01	BRACKET		1
7	595 68 22-01	SCREW	M5x10	12
8	597 25 59-01	HEAT SINK		1
9	597 75 39-01	DRIVER	3x400V 11kW	1
9	593 55 98-01	FREQUENCY INVERTER	3x200V 11kW	1
10	593 50 89-01	SCREW	M4x10 (inverter 11kW)	4
11	595 68 21-01	SCREW	M5x12 -(inverter 1.5kW)	4
12	597 75 41-01	DRIVER	3x400V 1.5kW	1
12	597 75 40-01	DRIVER	3x200V 1.5kW	1
13	595 71 08-01	MOUNT	Fan internal Cabinet	1
14	595 74 44-01	FAN	24VDC Internal Cabinet	1
15	598 83 65-01	CONNECTOR	Light contact female	1
16	598 51 88-01	SEAL	T-VET	1
17	598 51 97-01	TERMINAL	Phoenix contact 3270220	1
18	598 51 98-01	TERMINAL	Phoenix contact 3270158	1
19	598 51 99-01	TERMINAL	Phoenix contact 3270152	1
20	593 56 02-01	POWER UNIT	24VDC - 480W	1
21	593 56 01-01	CIRCUIT BREAKER	2-P 5A	1
22	732 21 14-01	LOCK NUT	M5	7
23	598 48 29-01	BATTERY BOX	BLEM	1
24	598 68 94-01	RING	Ring terminal M8	1
25	593 55 94-01	CONTACTOR	380-480V	1
25	593 55 92-01	CONTACTOR	200-240V	1
26	598 85 63-01	FERRITE CORE		1
27	598 52 62-01	CONTACT	DILM17 & DILM32	1
28	598 53 07-01	BRACKET	Bracket for Li-ion battery	1
29	597 96 84-01	BATTERY	Li-ion battery	1
30	593 55 99-01	FILTER	3x200-520V - 30A	1
30	593 56 00-01	FILTER	3x200V - 50A	1
31	598 52 63-01	SENSOR	Phase/Voltage Monitor 380-480V	1
31	598 53 88-01	SENSOR	Phase/Voltage Monitor 200-240V	1
32	598 47 03-01	ANTENNA	Antenna GCU. MaxStream A24-HASM-450-ND	1
33	598 47 03-01	ANTENNA	Antenna BLEM. MaxStream A24-HASM- 450-ND	1
34	598 47 16-01	CONTROL BOARD	GCU/Control Board with BLEM	1
35	598 48 28-01	SPACER	GCU Anti-Vibration Screws	8

**T** PG 690 RC  
REMOTE CONTROL

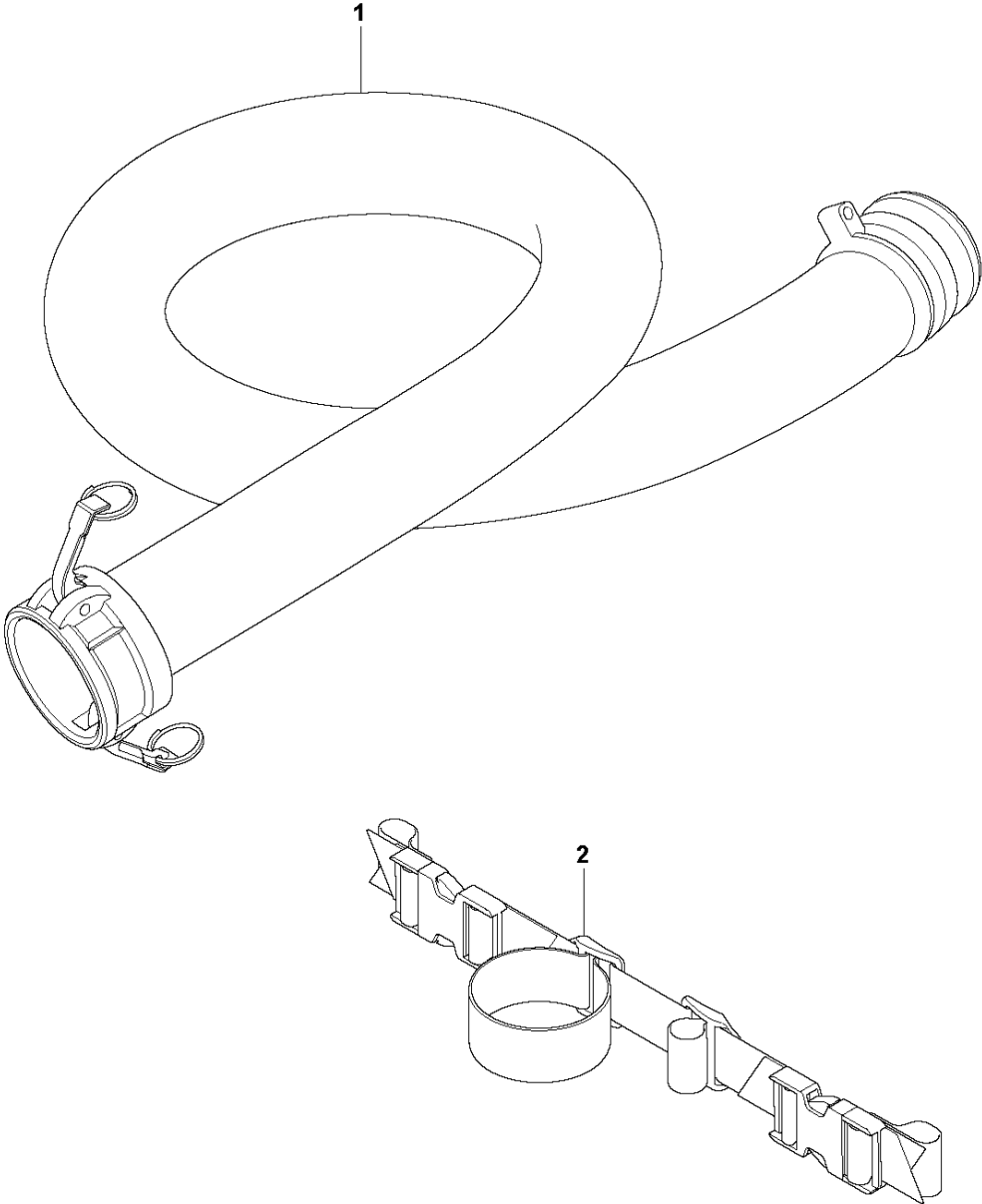


REMOTE CONTROL

PG 690 RC, 2020-06

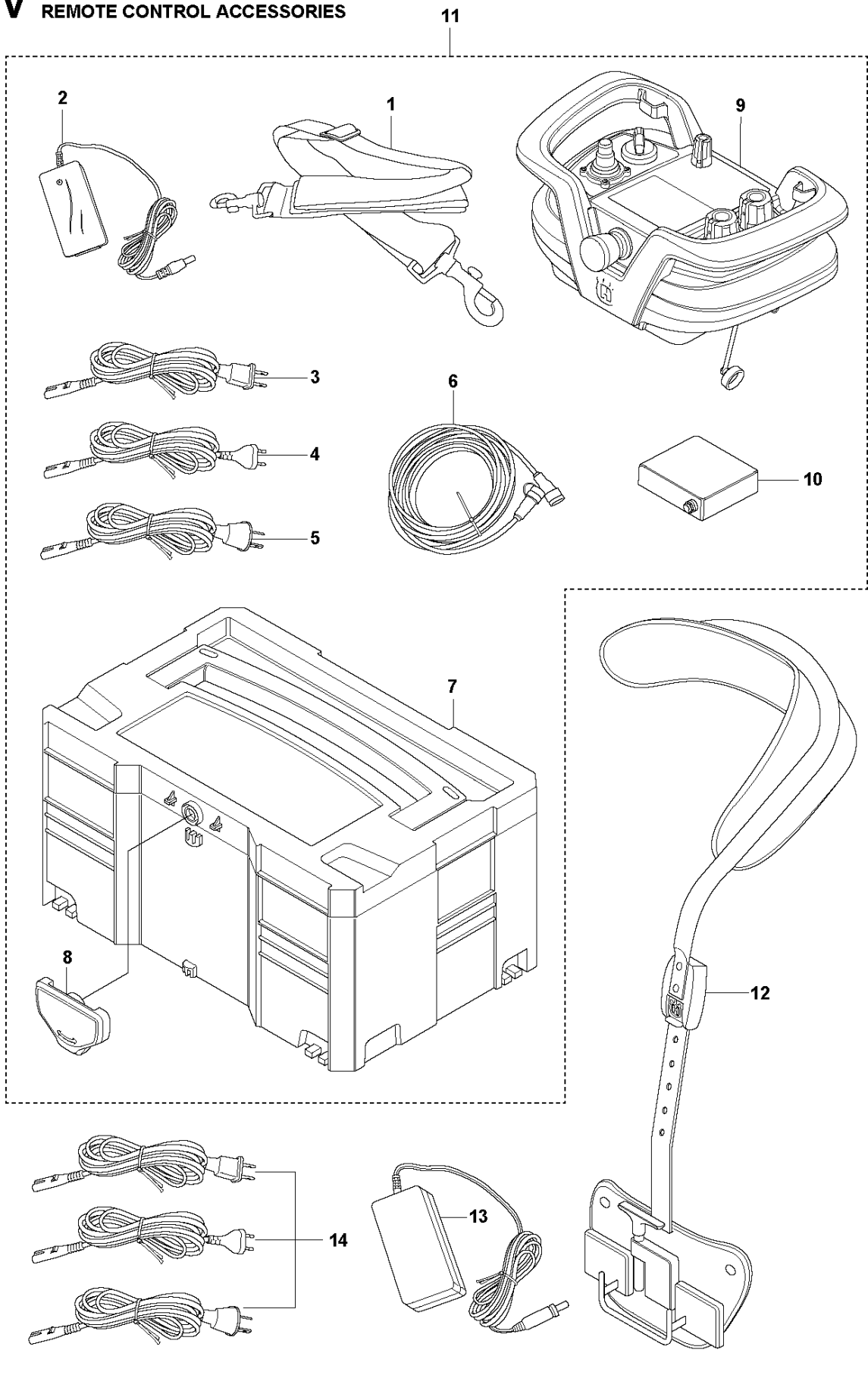
Ref	Part No	Description	Remark	QTY	KIT
1	576 25 34-01	HANDLE ASSY	Handle assy	1	27
2	578 77 61-01	SCREW ITPANT	3.5x10	4	27, 1
3	576 25 94-01	TURNING KNOB ASSY		2	27, 10
4	720 11 90-00	PARALLEL PIN	2x16	2	27, 10
5	576 26 14-01	NUT		2	27, 10
6	576 26 16-01	O-RING	11.0x1.0	2	27
7	587 12 92-01	KNOB	Assy w cable and contact	1	27
8	577 73 55-01	KNOB	Speed control	1	27, 11
9	587 07 29-01	DISPLAY	with display, keyboard & decals	1	27
10	576 80 93-01	POTENTIOMETER	Grinding motors, assy	2	27
11	576 81 49-01	POTENTIOMETER	Speed control	1	27
12	597 45 01-01	PRINTED CIRCUIT ASSY	PG RC EMC	1	27
13	000 00 00-00	W/O DESCRIPTION	3V CR2032	1	27
14	576 81 51-01	SWITCH		1	27
15	587 01 16-01	JOYSTICK		1	27
16	578 77 61-02	SCREW ITPANT	3.5x16	8	27, 26
17	577 71 10-01	SPRING PIN	With washer	2	27, 26
18	585 47 86-01	RUBBER PLUG		1	27
19	586 14 66-02	CONTACT	Mini USB, Type B, incl cable	1	27
20	576 87 78-02	CONTACT	CAN contact assy 4 pol	1	27
21	587 31 16-02	BATTERY	Main battery	1	27
22	523 00 52-01	SCREW CRCSFT	4x12	4	27
23	510 10 85-01	PLATE	BATTERY RRC UNIT	1	27
24	576 88 80-02	SEALING STRIP		1	27, 26
25	729 52 55-75	SCREW CRPANT	K35x10	4	27
26	586 18 04-01	COVER	Cover bottom inc seal & pins	1	27
27	576 25 92-01	REMOTE CONTROL	CPL Unit	1	

**U** PG 690 RC  
MISC SPARE PARTS



Ref	Part No	Description	Remark	QTY KIT
1	599 69 00-01	HOSE KIT		1
2	593 53 67-01	STRAP	Vac hose guide assy	1

**V PG 690 RC  
REMOTE CONTROL ACCESSORIES**



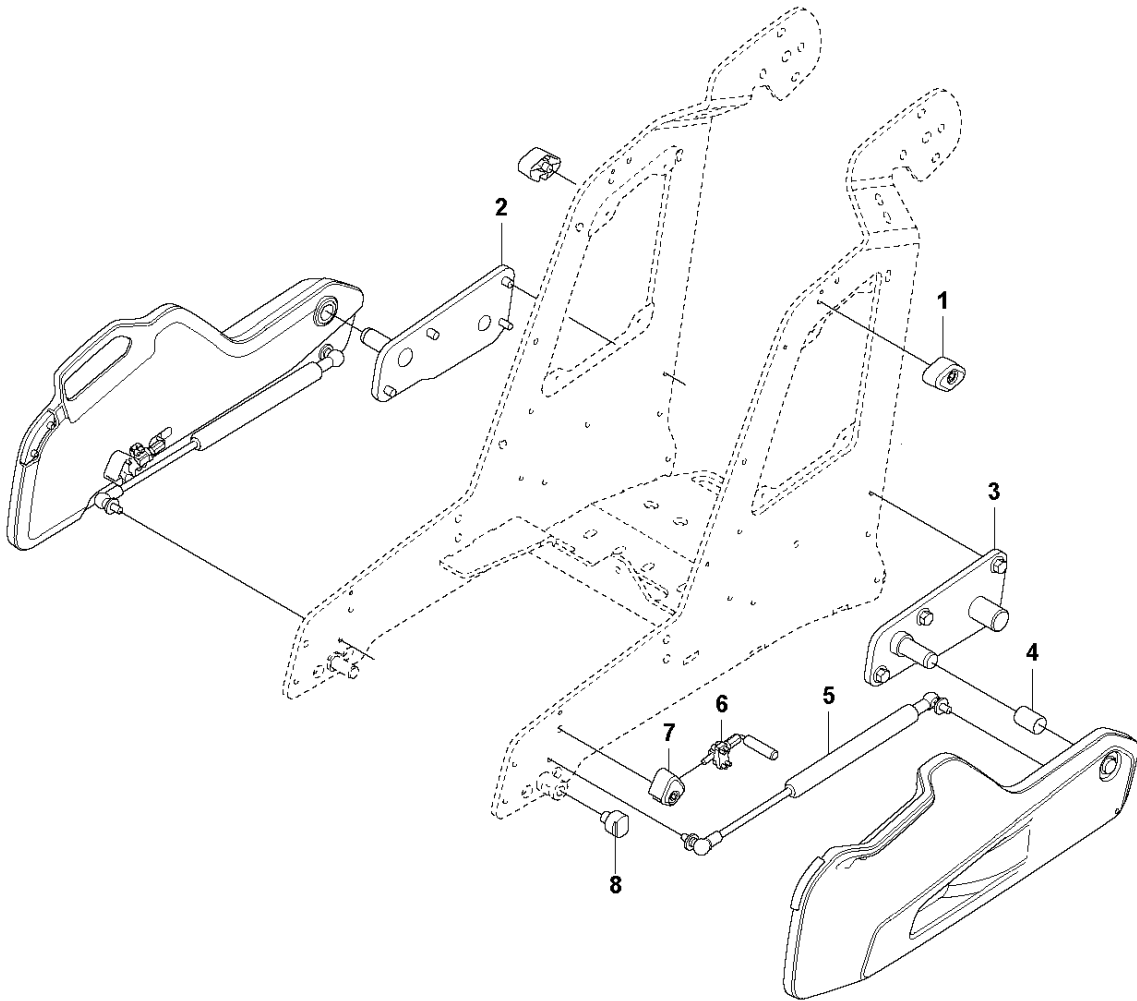


REMOTE CONTROL ACCESSORIES

PG 690 RC, 2020-06

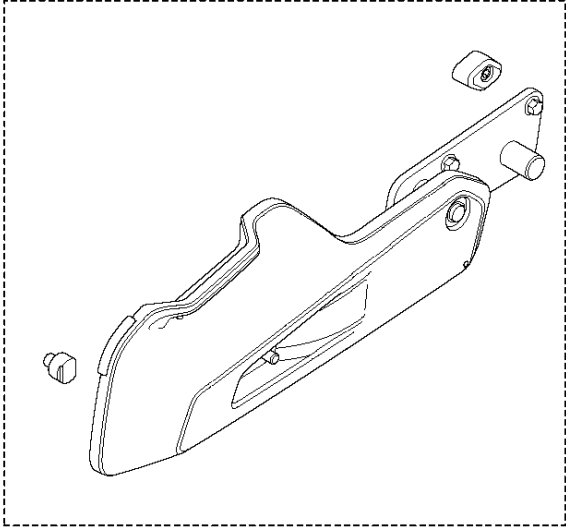
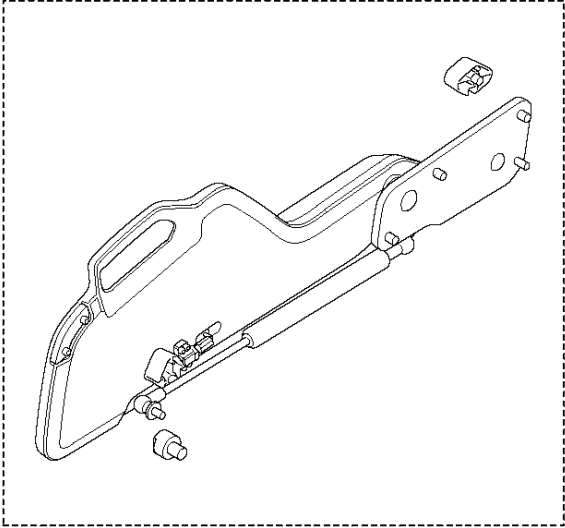
Ref	Part No	Description	Remark	QTY	KIT
1	506 29 76-61	SHOULDER STRAP	RC Unit waist carrying	1	11
2	510 28 50-03	CHARGER	RC Unit battery charger	1	11
3	510 28 07-02	CABLE	RC Unit charging US, 2 meters	1	11
4	510 28 07-01	CABLE	RC Unit charging EU, 2 meters	1	11
5	510 28 07-04	CABLE	RC Unit charging AUS, 2 meters	1	11
6	577 05 99-02	CABLE ASSY	6 meters	1	11
7	587 18 97-01	BOX	Storage box	1	11
8	582 82 02-01	LOCK		1	11
9	576 25 92-01	REMOTE CONTROL		1	11
10	510 10 91-01	BATTERY		2	11
11	501 79 30-01	HARNESS	CPL RC Unit incl acc & box	1	
12	510 28 00-01	HARNESS	Carrying Hook	1	
13	598 44 83-01	CHARGER	New range, 24VDC, power supply	1	
14	587 06 94-01	CABLE	1 phase grinder charging EU, 4 meters	1	
14	587 06 94-02	CABLE	1 phase grinder charging US, 4 meters	1	
14	587 06 94-03	CABLE	1 phase grinder charging AUS, 1.8 meters	1	

**W** PG 690 RC  
WEIGHT ASSY



9

10

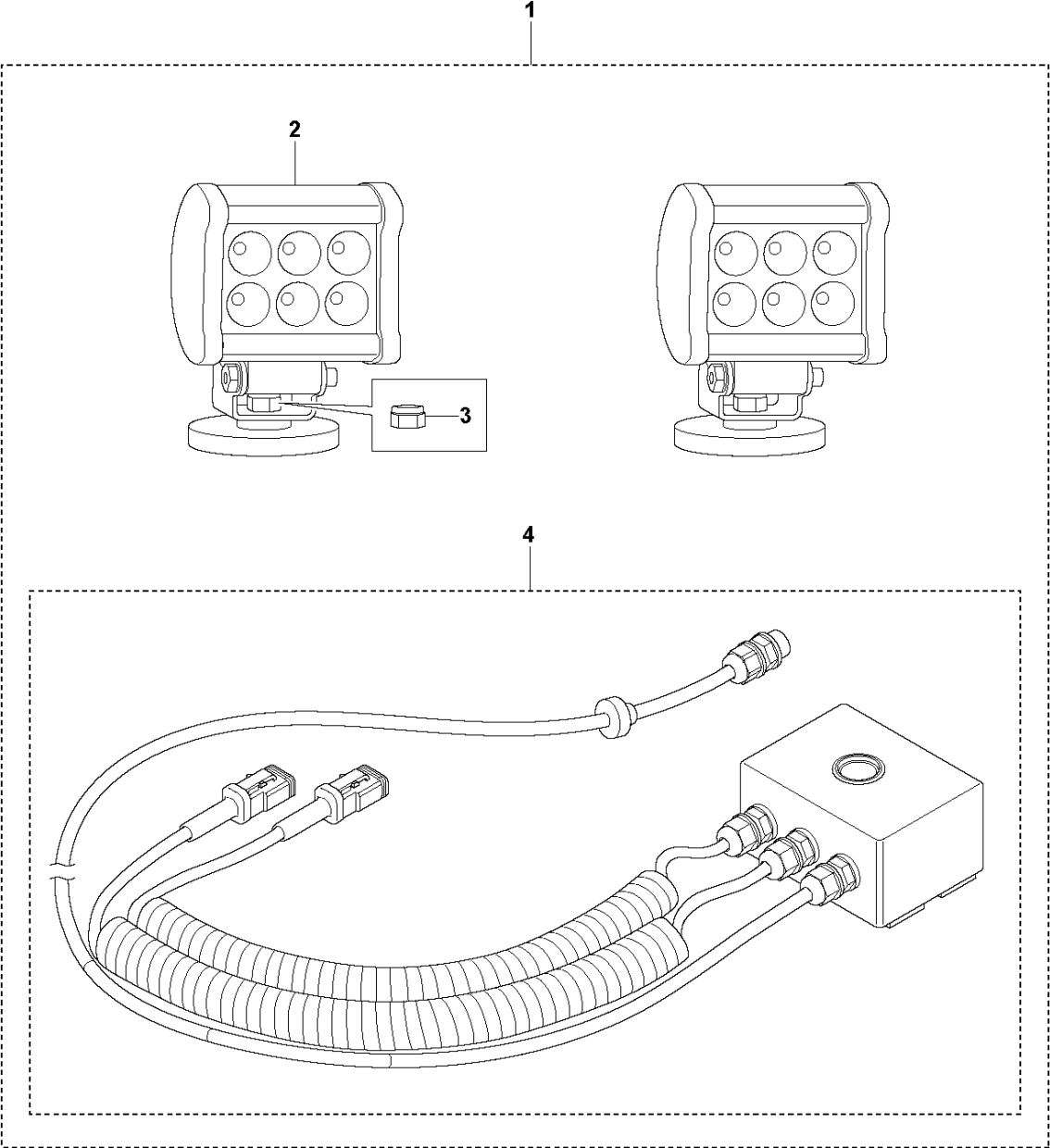


## WEIGHT ASSY

PG 690 RC, 2020-06

Ref	Part No	Description	Remark	QTY KIT
1	599 65 62-02	BLOCK	Block incl. Screw	2
2	596 61 46-01	BRACKET	RH	1
3	596 61 46-02	BRACKET	LH	1
4	593 41 72-01	BUSHING		2
5	593 58 23-01	GAS SPRING	LH/RH	2
6	535 40 38-01	SPRING PIN	LH/RH Assy w M5x20	2
7	599 65 62-01	BLOCK	Block incl. Screw	2
8	598 39 97-01	SUPPORT		2
9	598 03 89-01	WEIGHT	Right	1
10	598 03 88-01	WEIGHT	Left	1

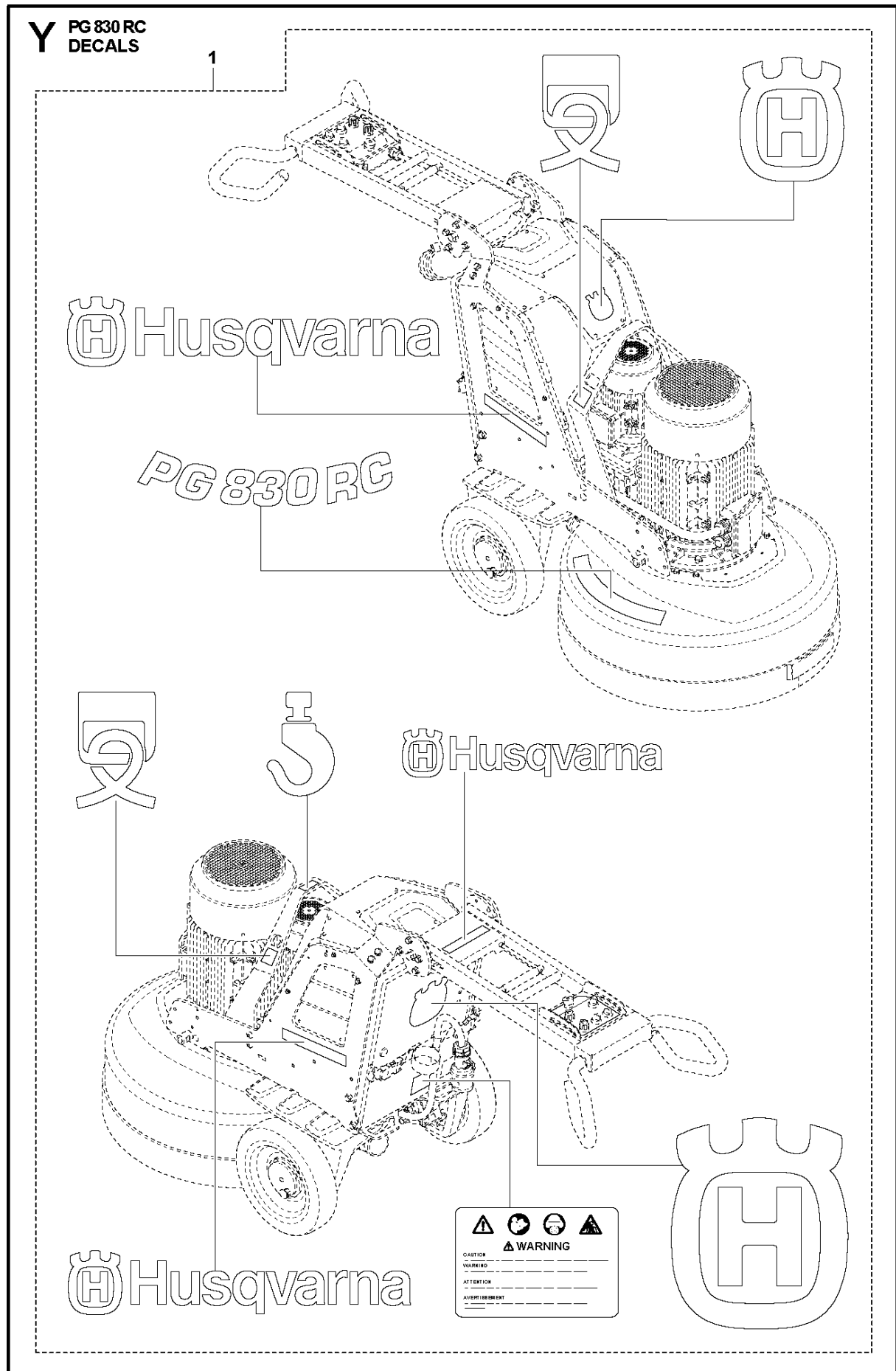
**X** PG 830 RC  
LIGHT KIT



LIGHT KIT

PG 690 RC, 2020-06

Ref	Part No	Description	Remark	QTY KIT	
1	597 92 52-01	LIGHT KIT		1	
2	593 54 06-01	LIGHT		2	1
3	593 49 98-01	LOCK NUT	M8	2	1
4	598 69 22-01	CABLE	with on/off switch	1	1



Ref	Part No	Description	Remark	QTY KIT
1	599 65 56-02	DECAL KIT	CPL decal kit PG 690 RC	1