



**BOSCH**

# General Purpose Saw

PFZ 600 E | 0 603 363 743

---

## Table of Content

Spare parts list.....	2
Illustration - Type.....	4

Spare parts list

Item	Part Number	Description
1	2 605 104 604	Housing Section GREEN
2	2 604 220 647	Field 230V
3	2 604 011 219	Armature 230-240V
3/50	2 606 610 093	Fan
4	2 607 200 579	Switch
5	1 614 460 072	Power supply cord
6	2 600 703 017	Grommet Ø6,4-Ø7,2x76 MM
7	2 601 035 001	Cable Clip
9	2 601 117 193	Sticker
14	2 600 905 095	Ball Bearing 9x24x7
16	2 605 807 082	Brush Plate
19	2 603 490 022	Screw 4x16
21	2 600 100 103	Shim
23	2 600 100 525	Shim
28	2 603 410 049	Thread-forming tap. Screw M4x12 MM
37	2 916 650 903	Spring retaining ring DIN 471-12x1-FSTM
38	2 600 105 001	Shim
39	2 606 320 062	Eccentric Cog Wheel
40	2 600 100 623	Shim 0,5 MM
43	1 610 910 057	Needle bearing Ø8xØ12x10 MM
45	2 600 105 109	Shim washer
46	2 600 105 013	Shim
47	2 600 913 008	Needle-Roller Assembly
48	2 600 105 004	Shim
49	2 916 660 008	Spring retaining ring DIN 472-24x1,2 MM
54	2 603 105 065	Pivot Pin
57	2 600 302 022	Sintered-Metal Bushing
61	2 601 334 011	Sealing disk
62	2 600 108 078	Felt Disc
67	2 601 321 012	Clamping Saddle
68	2 910 405 154	Hex Socket Head Cap Screw DIN 912-M5x12-12.9
75	2 601 015 082	Rubber Gasket 1 MM
76	2 600 101 038	Scraper
77	2 601 334 012	Guiding Plate

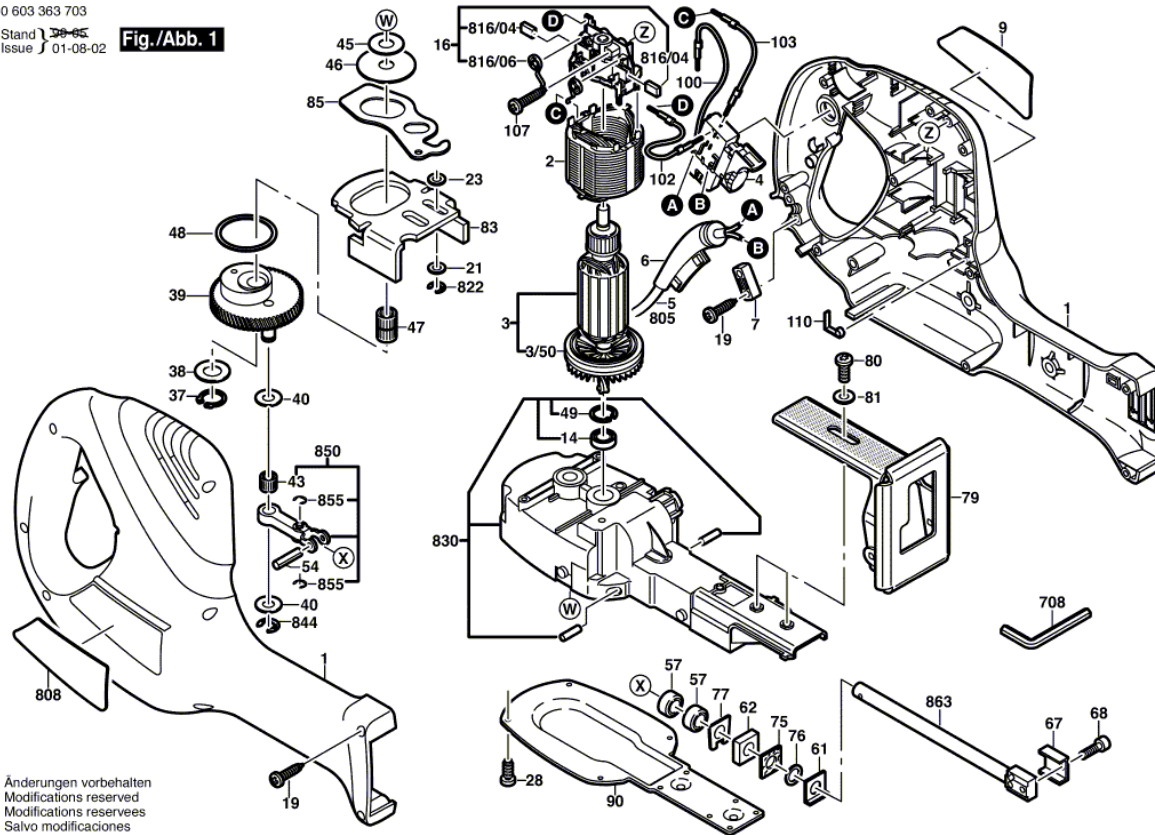
Spare parts list

Item	Part Number	Description
79	2 608 000 239	Base Plate
80	2 603 414 007	Oval-Head Screw M 5x10
81	3 600 100 002	Plain Washer
83	2 608 012 009	Counterweight
85	2 601 923 011	Fork Lever
90	2 605 500 142	Gear Cover
100	2 604 448 217	Earth Conductor
102	2 604 448 127	Connecting Cable L=220 MM WHITE
103	2 604 448 220	Connecting Cable
107	2 603 490 024	Torx Oval-Head Screw 4x25
110	2 601 329 057	Contact Spring
708	2 607 950 004	Offset Screwdriver DIN 911-4
805	1 607 000 386	Power supply cord EU 230V 4,15m 2 x 1,0mm H05 RN-F
808	2 601 117 546	Nameplate
816/04	2 604 320 914	Carbon-Brush Set
816/06	1 604 652 013	Spiral Spring
822	2 916 080 909	Locking Washer DIN 6799-6-FST
830	2 605 806 897	Gear Housing
844	2 916 080 910	Locking Washer DIN 6799-7-FSt
850	2 602 130 903	Connecting Rod
855	2 916 080 007	Locking Washer DIN 6799-4-FSt
863	2 600 780 910	Lifting Rod

Illustration - Type - E

0 603 363 703  
 Stand 1 2015  
 Issue 01-08-02

Fig./Abb. 1



Änderungen vorbehalten  
 Modifications reserved  
 Modifications reserves  
 Salvo modificaciones