

Tanaka Illustrated Parts Manual

Model Number:

PF-4010

UTILITY / SCOOTER ENGINE (W/O FUEL TANK)

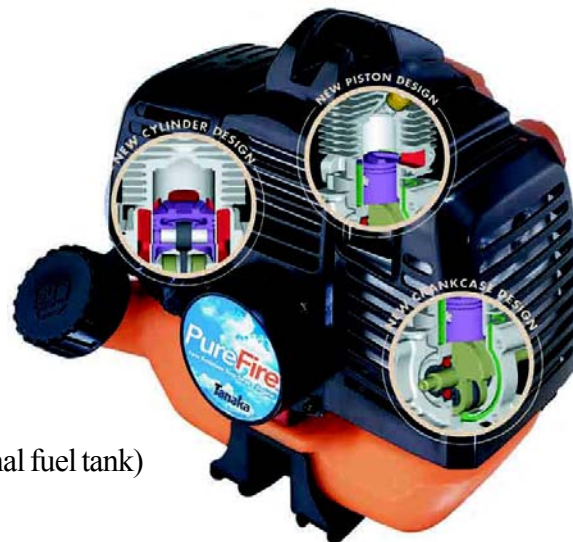
P/N 30094

Rev 002

Date 07-03-01



C.A.R.B. Tier II Certified!

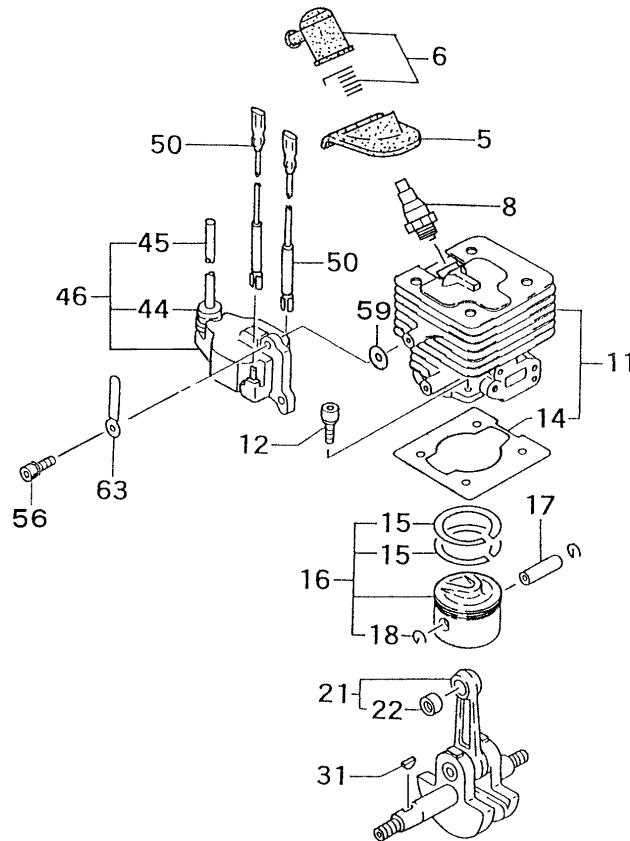


(Shown with optional fuel tank)

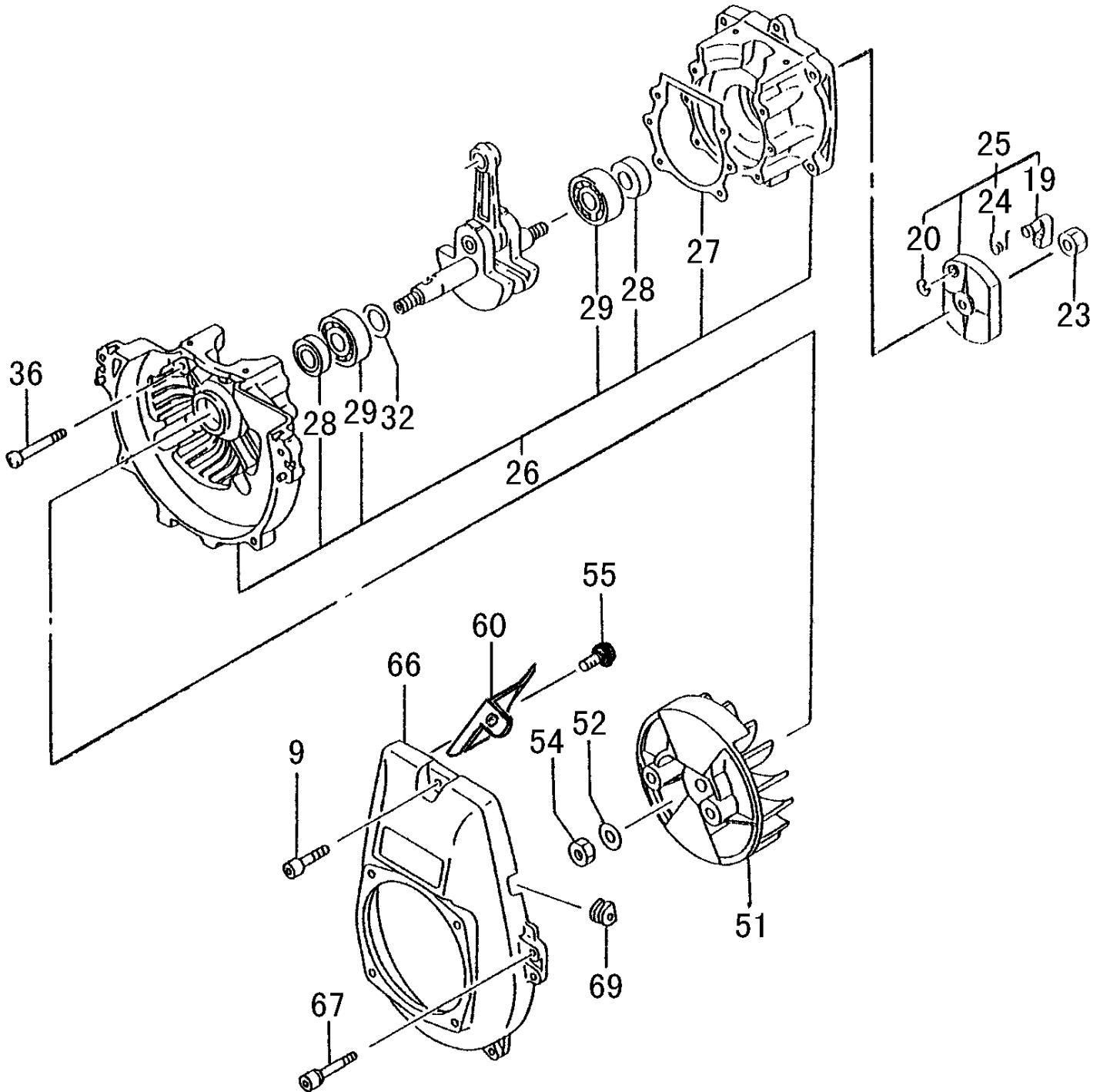


Supplier To The Outdoor Power Equipment Industry

ISM, Inc. • 1028 4th Street SW • Auburn, WA 98001 • Phone: (253) 333-1200 • Fax: (253) 333-1212



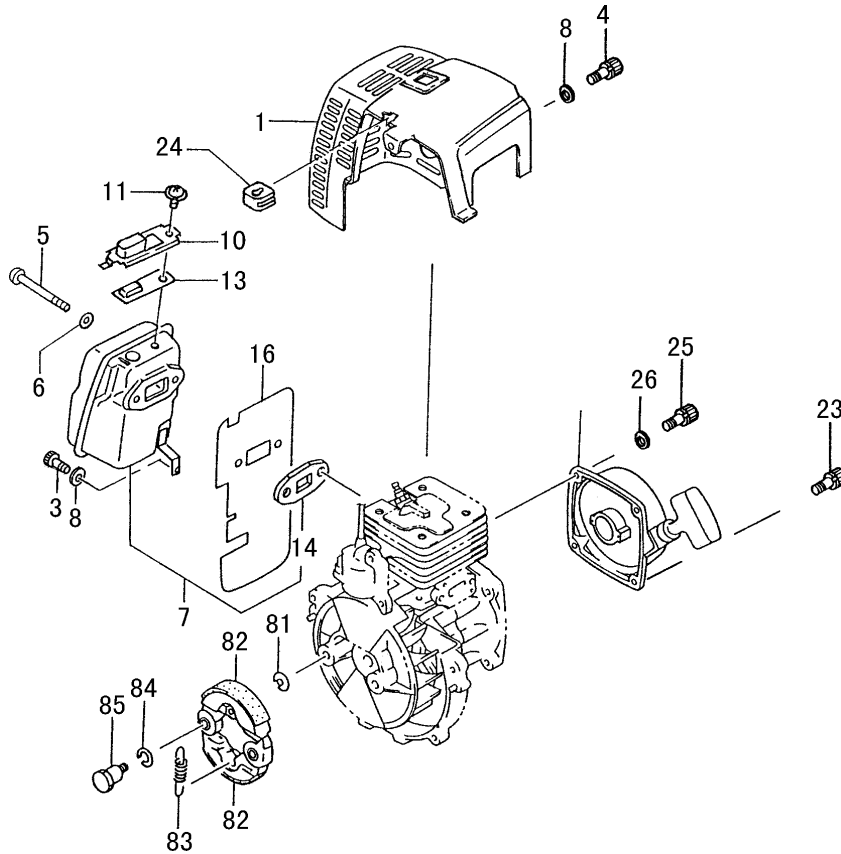
ITEM	PART NUMBER	DESCRIPTION	QTY	COMMENTS
1-5	25504200200	COVER, SPARK PLUG, RUBBER	1	
1-6	15711666900	CAP, SPARK PLUG ASS'Y	1	
1-8	01804075200	PLUG, SPARK	1	
1-11	0010440590	SET, CYLINDER	1	
1-12	99461050204	BOLT, HEX, HOLE, 5X20, S	4	
1-14	0170440020	GASKET, CYLINDER	1	
1-15	04104050200	RING, PISTON	2	
1-16	0300440090	SET, PISTON	1	
1-17	0370100020	PIN, PISTON	1	
1-18	03905004200	CIRCLIP, PISTON PIN	2	
1-21	0460440080	CRANKSHAFT	1	
1-22	99962101004	BEARING, NEEDLE, F1010B	1	
1-31	06802000200	KEY, WOODRUFF, 3X13X5	1	
1-44	56020517200	CAP, RUBBER	1	
1-45	1782054320	CORD, HIGH TENSION	1	
1-46	1672054390	ASSY, IGNITION COIL	1	
1-50	1790007080	STOP CORD, 220MM	2	
1-56	99011040182	SCREW, 4X18	2	Before S/N U112140
1-56	99416040183	SCREW 4X18/WS	2	S/N U112141 and after
1-59	1820186A201	WASHER, SPECIAL	2	
1-63	19805015800	CLAMP, CORD	1	



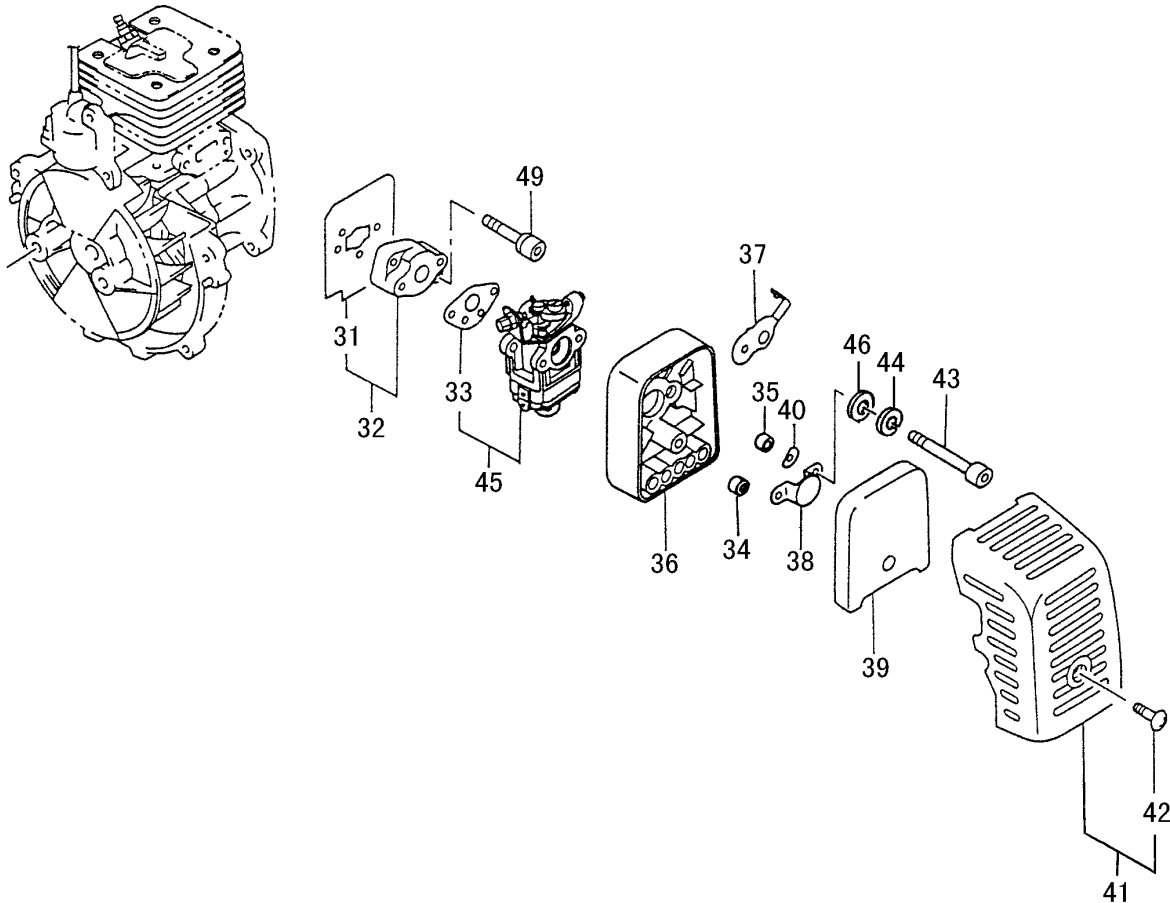
CRANKCASE, FLYWHEEL, STARTER PULLEY • FIGURE 2

ITEM	PART NUMBER	DESCRIPTION	QTY	COMMENTS
2-9	99463050204	BOLT, HEX 5X20	1	
2-19	7880162V20	PAWL,STARTER	1	
2-20	99355050000	RING,STOP,5	1	
2-23	99111100013	NUT,10	1	
2-24	7900162V200	SPRING,PAWL,STARTER	1	
2-25	7980422090	PAWL,STARTER ASS'Y	1	
2-26	0720440090	CASE,CRANK	1	Before S/N U207604
2-26	0720440091	CASE,CRANK	1	S/N U207605 and after
2-27	0900440020	GASKET,CRANKCASE	1	*Crankcase assy includes bearings, seals and gaskets.
2-28	99966152511	SEAL,OIL,#VE15X25X7	2	
2-29	99961620200	BEARING,BALL,#6202	2	
2-32	07102007200	SHIM,15.2X20X.05	V	*Shims are "as needed" to obtain
2-32	07102007210	SHIM,15.2X20X.10	V	correct side clearance
2-32	07102007220	SHIM,15.2X20X.15	V	
2-32	07111600230	SHIM,16X21X.20	V	
2-32	07111600240	SHIM,16X21X.30	V	
2-36	99461050304	BOLT,HEX,5X30S	4	
2-51	1552053880	ROTOR,MAGNETO	1	
2-52	99201100011	WASHER,10	1	
2-54	99101100011	NUT,10	1	
2-55	99414050101	SCREW,S,5X10	1	
2-60	1320440020	DEFLECTOR,AIR	1	
2-66	1120440021	CASE,FAN	1	
2-67	99461050204	BOLT,HEX,HOLE,5X20,S	4	
2-69	20311660200	GROMMET,PRIMARY CORD	1	

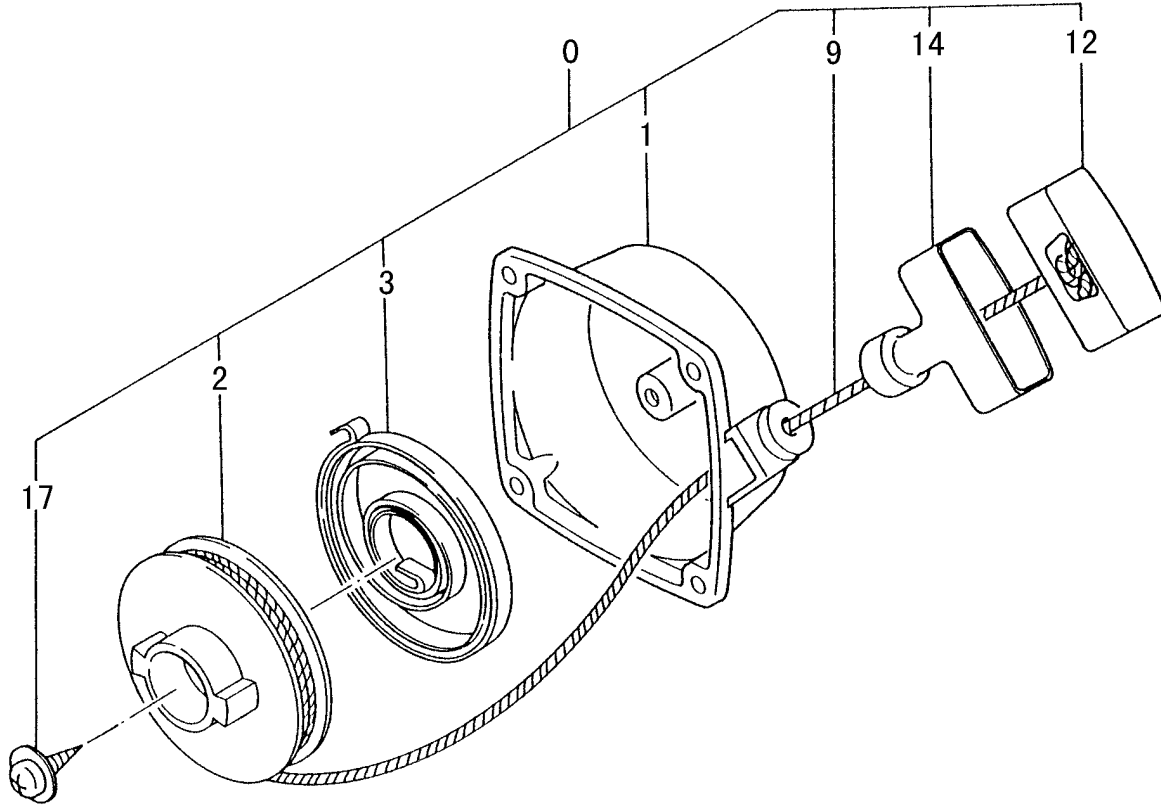
MUFFLER, MUFFLER COVER • FIGURE 3



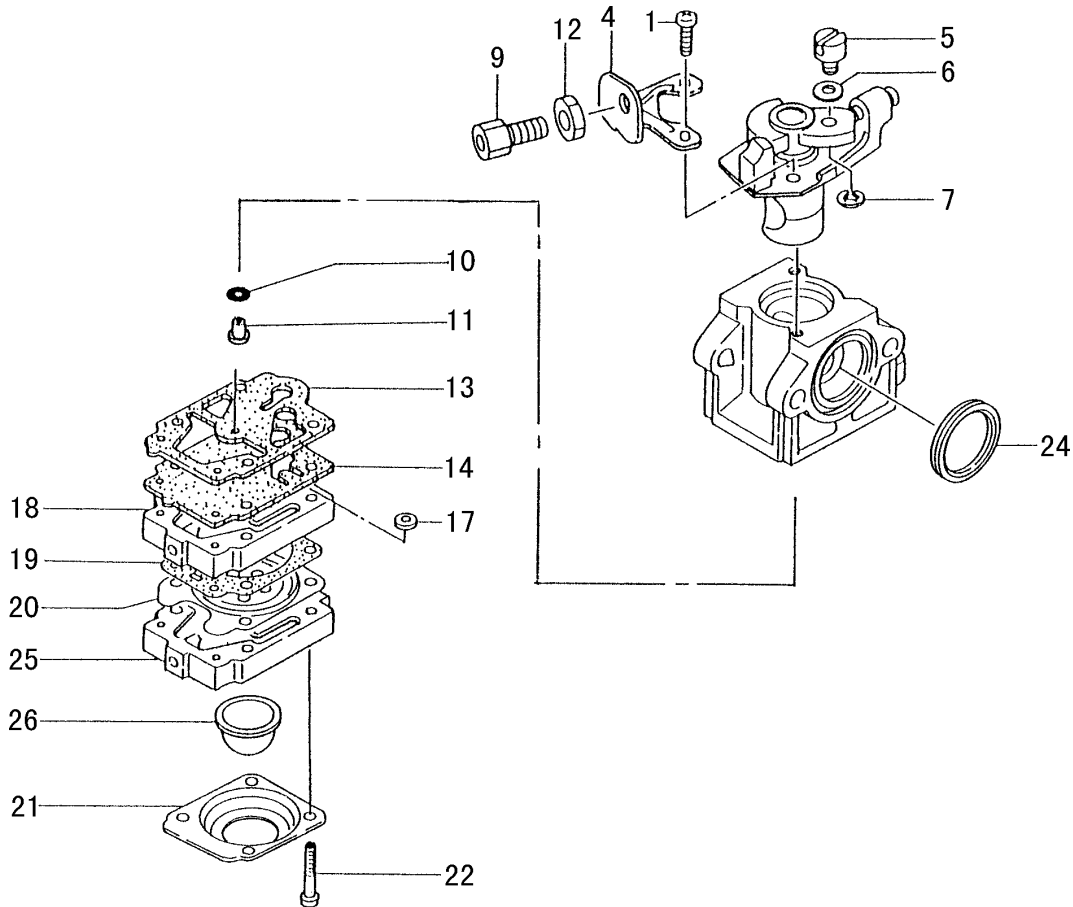
ITEM	PART NUMBER	DESCRIPTION	QTY	COMMENTS
3-1	7380440A21	PROTECTOR,MUFFLER	1	
3-3	99461050124	BOLT,HEX,5X12S	1	
3-4	99461050164	BOLT,HEX,5X16,S	1	Before S/N U207604
3-5	99053060653	SCREW,HEX,6X65	2	
3-6	99201060011	WASHER,6	2	
3-7	7040440090	SET,MUFFLER	1	
3-8	99201050061	WASHER,5	2	Before S/N U207604
3-8	99201050061	WASHER,5	1	S/N U207605 and after
3-10	7210440020	PIPE, TAIL	1	
3-11	99434040081	SCREW,4X8/S	1	
3-13	7320440020	ARRESTER,SPARK	1	
3-14	73704230200	GASKET,MUFFLER	1	
3-16	1330440020	SHIELD,HEAT	1	
3-23	99463050204	BOLT, HEX 5X20	4	Before S/N U207604
3-23	99463050204	BOLT, HEX 5X20	2	S/N U207605 and after
3-24	2030604A202	GROMMET	1	
3-25	99461050254	BOLT,HEX HOLE,5X25S	2	S/N U207605 and after
3-26	99201050061	WASHER,5	2	S/N U207605 and after
3-81	35910112203	WASHER,CLUTCH B	2	
3-82	2900420081	SHOE,CLUTCH	2	
3-83	34204200200	SPRING,CLUTCH	1	
3-84	99204100030	WASHER,WAVE,10	2	
3-85	35704201200	BOLT,CLUTCH STEP	2	



ITEM	PART NUMBER	DESCRIPTION	QTY	COMMENTS
4-31	4030430020	GASKET, INLET MANIFOLD	1	
4-32	4040430090	SET, CARB INSULATOR	1	
4-33	4020430020	GASKET, CARBURETOR	1	
4-34	4530637C200	COLLAR	1	
4-35	4700138020	COLLAR, CLEANER	1	
4-36	4230138082	BODY, CLEANER	1	
4-37	5280138021	VALVE, CHOKE	1	
4-38	47601700200	BOARD, BLOW OVER CHECK	1	
4-39	4460138020	ELEMENT, CLEANER	1	
4-40	99204080030	WASHER, 8	1	
4-41	4520138091	COVER, CLEANER, ASSY	1	
4-42	3800637C200	BOLT, CLEANER COVER	1	
4-43	99011050602	SCREW, 5X60	2	
4-44	99210050012	WASHER, S, 5	2	
4-45	4550440090	CARBURETOR	1	
4-46	78600601200	WASHER, RECOIL STARTER	2	
4-49	99416050252	SCREW, 5X25WS	2	



ITEM	PART NUMBER	DESCRIPTION	QTY	COMMENTS
5-0	7620422090	STARTER,RECOIL ASS'Y	1	
5-1	7720422080	BODY,RECOIL STARTER	1	
5-2	7690422020	REEL,STARTER ROPE	1	
5-3	7790422020	SPRING,RECOIL	1	
5-9	7830422020	ROPE,STARTER	1	
5-12	8350422020	CAP,HANDLE	1	
5-14	7850422020	HANDLE,STARTER	1	
5-17	8390422020	SCREW,SET	1	



ITEM	PART NUMBER	DESCRIPTION	QTY	COMMENTS
6-0	4550440090	SET,CARBURETOR	1	Includes carburetor gasket
6-1	51425100200	SCREW,THROTTLE SET	2	
6-4	54425164200	STAY,ADJUST,CABLE	1	
6-5	53925120200	SWIVEL	1	
6-6	5492516520	WASHER,THRUST	1	~ Contained in Carb Repair Kit
6-7	48925100200	RING,STOP	1	P/N 650-25124-900
6-9	61425137200	ADJUSTER,CABLE	1	(Not available individually)
6-10	55025100200	O-RING	1	
6-11	5992001W44	JET,MAIN,LONG,#44	1	
6-12	99101060013	NUT,6	1	
6-13	~ ~ ~	GASKET,PUMP	1	
6-14	~ ~ ~	DIAPHRAGM,PUMP	1	
6-17	57825007200	SCREEN,INLET	1	
6-18	5752515380	BODY,PUMP	1	
6-19	~ ~ ~	GASKET,DIAPHRAGM	1	
6-20	~ ~ ~	DIAPHRAGM,METERING	1	
6-21	4762515120	COVER,DIAPHRAGM	1	
6-22	5482515120	SCREW,SET	4	
6-24	4310634C200	GASKET,CLEANER	1	
6-25	4422515180	PUMP,PRIMING	1	
6-26	44725108200	BULB,PRIMING	1	