

Random orbital sander - 0 603 298 735 - PEX 15 AE

www.powertools-aftersaleservice.com



BOSCH

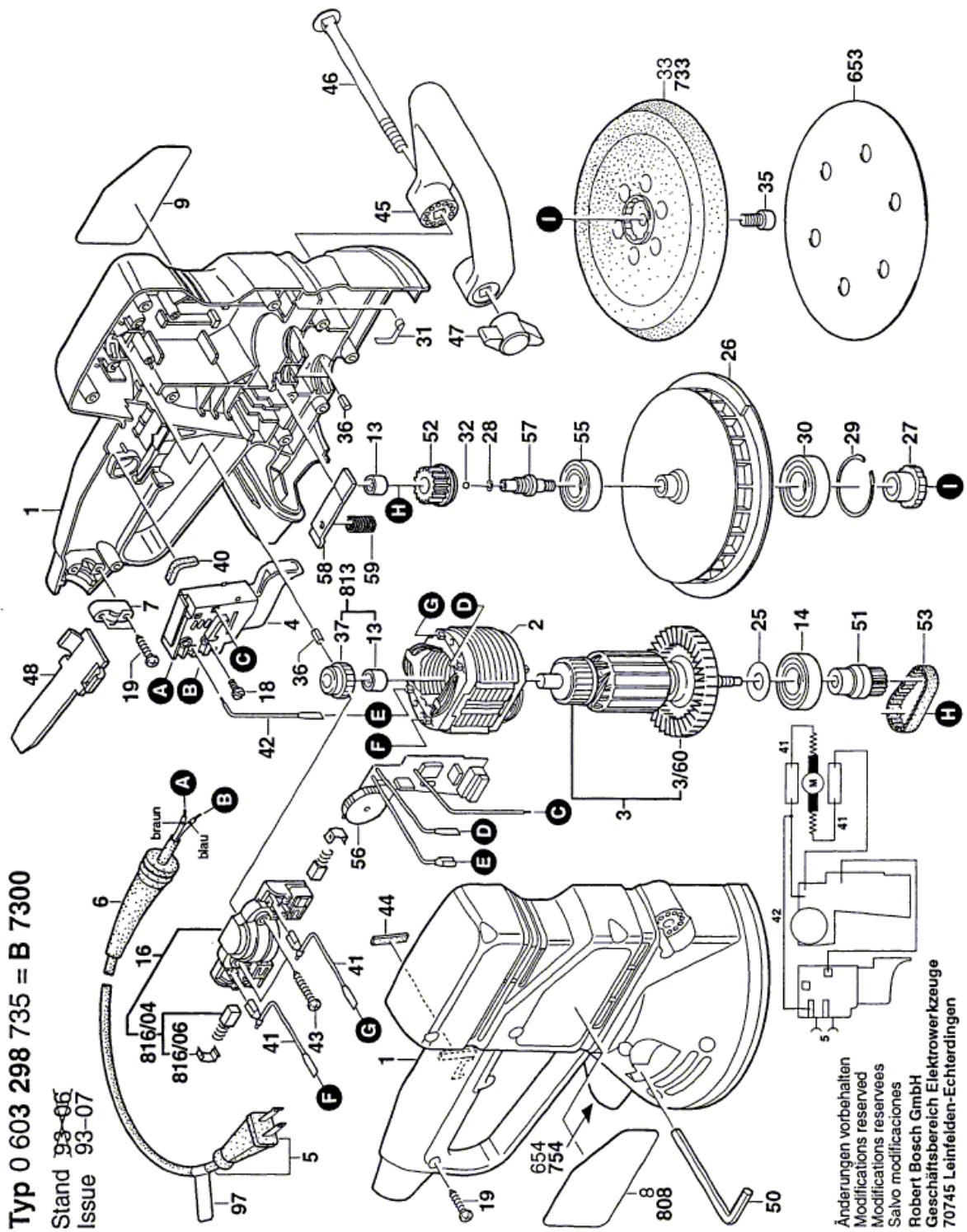
Item	Part Number	Description	Illustration	Price	Quantity	Price Group
1	2 605 104 403	Housing Section BLUE	1	-,-	1	-
2	2 604 220 543	Field 100-115V	1	-,-	1	28
3	2 604 010 880	Armature 115V	1	-,-	1	36
3/60	2 606 610 055	Fan	1	-,-	1	12
4	2 607 200 260	Switch	1	-,-	1	23
5	2 604 460 188	Power supply cord USA/CDN 2,68m 2 x 0,82mm SJ 18/2	1	-,-	1	26
6	2 600 703 018	Grommet Ø7,3-Ø8,6x76 MM	1	-,-	1	13
7	2 601 035 004	Cable Clip	1	-,-	1	12
9	2 601 118 499	Manufacturer's nameplate	1	-,-	1	13
13	2 600 917 002	Needle bearing	1	-,-	2	15
14	2 600 905 034	Deep-Groove Ball Bearing	1	-,-	1	25
16	2 605 807 121	Brush Plate	1	-,-	1	-
18	2 603 410 001	Socket head cap screw M3x6,5-4.8	1	-,-	2	11
19	2 603 490 021	Torx Oval-Head Screw 4x12	1	-,-	2	10
25	2 600 100 041	Plain Washer DIN 315-M8-GT-C	1	-,-	1	11
26	2 606 610 066	Fan	1	-,-	1	28
27	2 606 490 053	Carrier	1	-,-	1	21
28	2 600 000 025	Shim 1,0 MM	1	-,-	1	11
28	2 600 000 022	Shim 0,1 MM	1	-,-	1	11
28	2 600 000 023	Shim 0,2 MM	1	-,-	1	11
28	2 600 000 024	Shim 0,5 MM	1	-,-	1	11
29	2 600 116 014	Spring retaining ring	1	-,-	1	11
30	2 600 905 111	Deep-Groove Ball Bearing 15x35x11	1	-,-	1	22
31	2 601 329 057	Contact Spring	1	-,-	1	11
32	1 903 230 007	Ball DIN 5401-4 MM-III-ST	1	-,-	1	10
35	2 910 141 238	Hex Socket Head Cap Screw DIN 912-M8x16-8.8	1	-,-	1	11
36	1 603 100 036	Rubber Buffer	1	-,-	4	11
40	2 601 022 000	Damping Plate	1	-,-	1	11
42	2 604 448 166	Connecting Cable	1	-,-	1	11
43	2 603 490 023	Torx Oval-Head Screw 4x20	1	-,-	2	10
44	2 602 380 003	Seal Strip	1	-,-	2	11
45	2 602 025 068	Handle BLACK	1	-,-	1	16

Item	Part Number	Description	Illustration	Price	Quantity	Price Group
46	2 910 285 226	Round-Head Bolt DIN 603-M6x110	1	-,-	1	11
47	1 603 339 006	Wing Nut M6	1	-,-	1	11
48	2 608 005 043	Pusher	1	-,-	1	11
50	1 907 950 006	Offset Screwdriver DIN 911-SW5 BLACK	1	-,-	1	15
51	2 606 625 014	Toothed Belt Wheel Z=18	1	-,-	1	18
52	2 606 625 015	Toothed Belt Wheel Z=30	1	-,-	1	18
53	2 604 736 009	Toothed Belt	1	-,-	1	21
55	2 600 923 002	Deep-Groove Ball Bearing	1	-,-	1	28
56	2 608 300 007	Speed governor 100-120V	1	-,-	1	38
57	2 603 124 116	Output Shaft	1	-,-	1	24
58	2 601 901 006	Lever	1	-,-	1	15
59	2 604 610 032	Compression Spring	1	-,-	1	11
97	2 610 904 501	Reference Plate CAUTION	1	-,-	1	13
733	2 608 601 053	Backing Pad Ø 150 MM	1	-,-	1	-
733	2 608 601 051	Backing Pad Ø 150 MM	1	-,-	1	-
733	2 608 601 052	Backing Pad Ø 150 MM	1	-,-	1	-
754	2 605 411 067	Dust Bag 3 PIECE	1	-,-	1	-
754	2 605 411 068	Dust Bag 10 PIECE	1	-,-	1	-
757	2 600 282 014	Suction Hood	N/A	-,-	1	-
808	2 601 119 246	Nameplate	1	-,-	1	15
813	2 600 917 002	Needle bearing	1	-,-	1	15
816/04	2 604 321 914	Carbon-Brush Set	1	-,-	1	22
816/06	2 601 329 051	Ratchet Cap	1	-,-	2	11
816/06	2 601 322 013	Ratchet Cap	1	-,-	2	11

Product information Random orbital sander - 0 603 298 735 - PEX 15 AE

Product No	0 603 298 735
Description	251.372; Random orbital sander
DIN-Text	
ID_Text_Ext	0
Trading_Description	PEX 15 AE
Voltage_1	120 V
ID_Country_Product	USA

Illustration - Type E



Information subject to change without further notice.