

## Cordless Percus Screwdriv - 0 603 939 734 - PDR 7,...

www.powertools-aftersaleservice.com

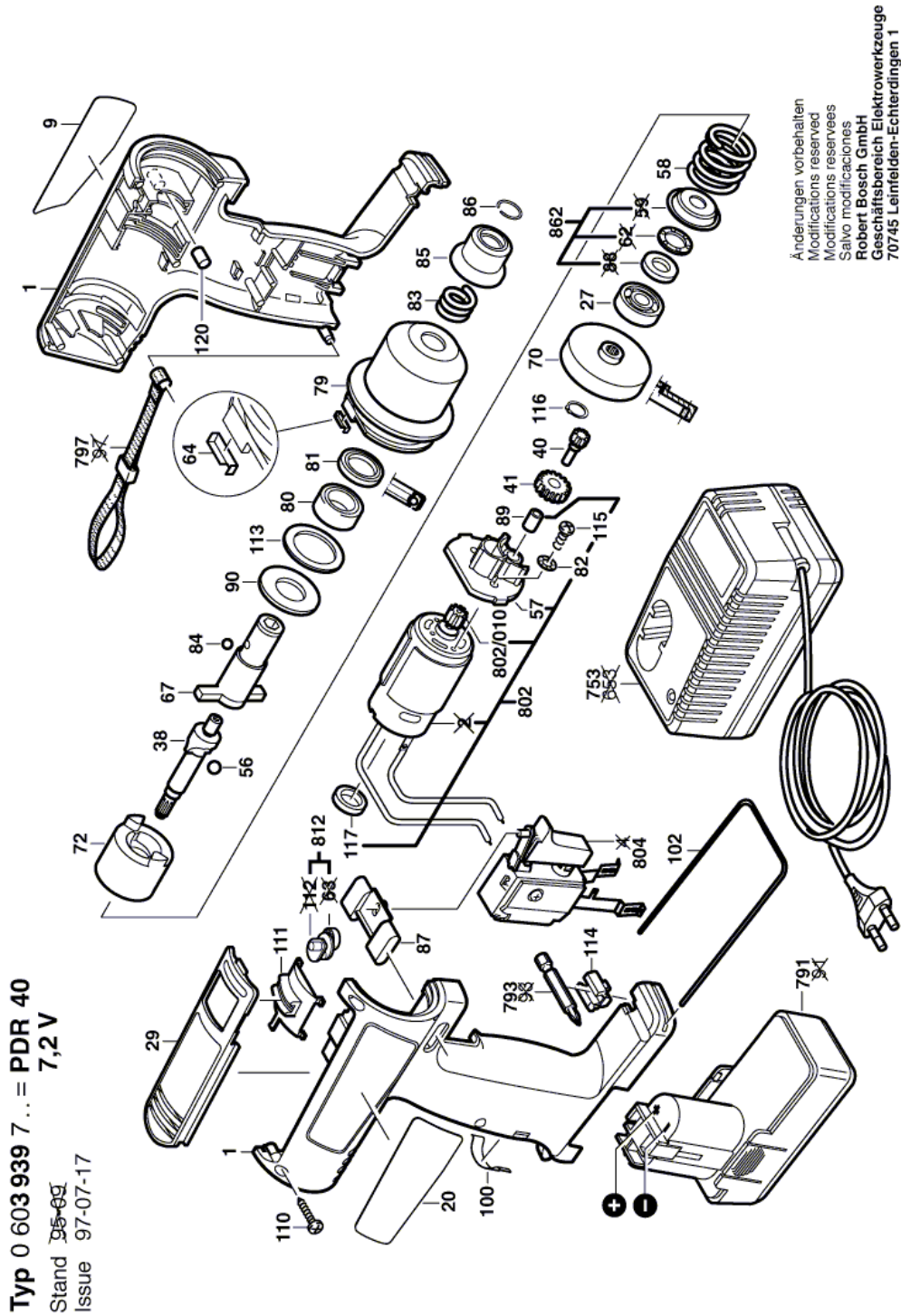


**BOSCH**

Item	Part Number	Description	Illustration	Price	Quantity	Price Group
1	2 605 104 456	Housing Section GREEN	1	-,-	1	-
9	2 601 118 636	Manufacturer's nameplate SUNNY SIDE	1	-,-	1	14
20	2 601 118 637	Reference Plate SHADOW SIDE	1	-,-	1	14
27	1 900 900 224	Deep-Groove Ball Bearing 7x22x7	1	-,-	1	19
29	2 605 510 142	Insert Piece BLACK	1	-,-	1	15
38	2 603 000 016	Jack Shaft	1	-,-	1	31
40	2 606 309 045	Toothed Shaft Z= 10	1	-,-	1	26
41	2 606 319 086	Cylindrical Gear Z=23	1	-,-	1	16
56	1 903 230 010	Ball DIN 5401-5,5MM-III-ST	1	-,-	2	10
57	2 605 700 236	Intermediate Flange BLACK	1	-,-	1	13
57	2 605 700 236	Intermediate Flange BLACK	1	-,-	1	13
58	2 604 610 036	Compression Spring	1	-,-	1	14
64	2 600 509 001	Sealing cap	1	-,-	1	15
67	2 606 445 010	Coupling Half	1	-,-	1	34
70	2 606 319 085	Ring Gear Z=46	1	-,-	1	24
72	2 600 322 052	Striker	1	-,-	1	36
79	2 605 806 411	Gear Housing GREEN	1	-,-	1	14
80	2 605 801 018	Plain bearing	1	-,-	1	11
81	2 601 015 062	Radial Seal	1	-,-	1	15
82	2 916 070 005	Serrated Lock-Washer DIN 6798-A3,2-FST	1	-,-	1	10
83	2 604 619 016	Compression Spring	1	-,-	1	15
84	1 903 230 406	Ball DIN 5401-3,5-II	1	-,-	2	10
85	2 600 400 032	Taper Sleeve	1	-,-	1	16
86	2 916 600 007	Retaining ring 12 DIN 9045	1	-,-	1	11
87	2 601 099 055	Adjusting Slide RED	1	-,-	1	15
89	2 605 801 019	Plain bearing	1	-,-	1	13
90	2 600 100 638	Plain Washer	1	-,-	1	11
100	2 601 322 016	Clamp Spring	1	-,-	1	14
102	2 601 329 041	Retaining Bracket	1	-,-	1	11
110	2 603 490 018	Torx Oval-Head Screw 3x18	1	-,-	6	10
111	2 607 200 333	Slide Switch	1	-,-	1	13
113	2 600 100 098	Rubber Ring	1	-,-	1	13
114	2 608 040 131	Support	1	-,-	1	12

Item	Part Number	Description	Illustration	Price	Quantity	Price Group
115	2 912 301 050	Oval-Head Screw DIN 7895-M3x8-4.8-Z	1	-,-	2	10
116	2 916 640 003	Spring retaining ring DIN 471-6x0,7-FSt	1	-,-	1	10
117	2 608 040 099	Intermediate Ring Ø 13 MM	1	-,-	1	11
117	2 608 040 092	Inserted Part Ø 10,2 MM	1	-,-	1	-
120	2 603 100 056	Rubber Buffer	1	-,-	1	11
753	2 607 224 431	Fast Charger USA 120/7,2-24V, 1h	1	-,-	1	48
791	2 607 336 141	Slide-In Accu Package 7,2V,1,5Ah,NiCd	1	-,-	1	40
793	2 607 000 442	Screwdriver Blade	1	-,-	1	17
795	2 608 572 075	Keyless Chuck Ø 1-10 MM	N/A	-,-	1	-
797	2 601 398 009	Carrying Loop	1	-,-	1	-
802	2 607 022 939	DC motor 7,2V	1	-,-	1	-
802	2 607 022 933	DC motor 7,2V	1	-,-	1	31
802/010	2 606 316 145	Pinion Z=13	1	-,-	1	18
804	2 607 200 351	On-Off Switch	1	-,-	1	36
812	2 606 110 900	Eccentric Shaft	1	-,-	1	28
862	2 600 923 006	Ball Cage	1	-,-	1	17
899	0 603 939 723	Cordless Percus Screwdriv BATTERY WITHOUT CHARGER	N/A	-,-	1	-

Illustration - Type E



Information subject to change without further notice.