

## Delta Sander - 0 603 346 735 - PDA 240 E

www.powertools-aftersaleservice.com

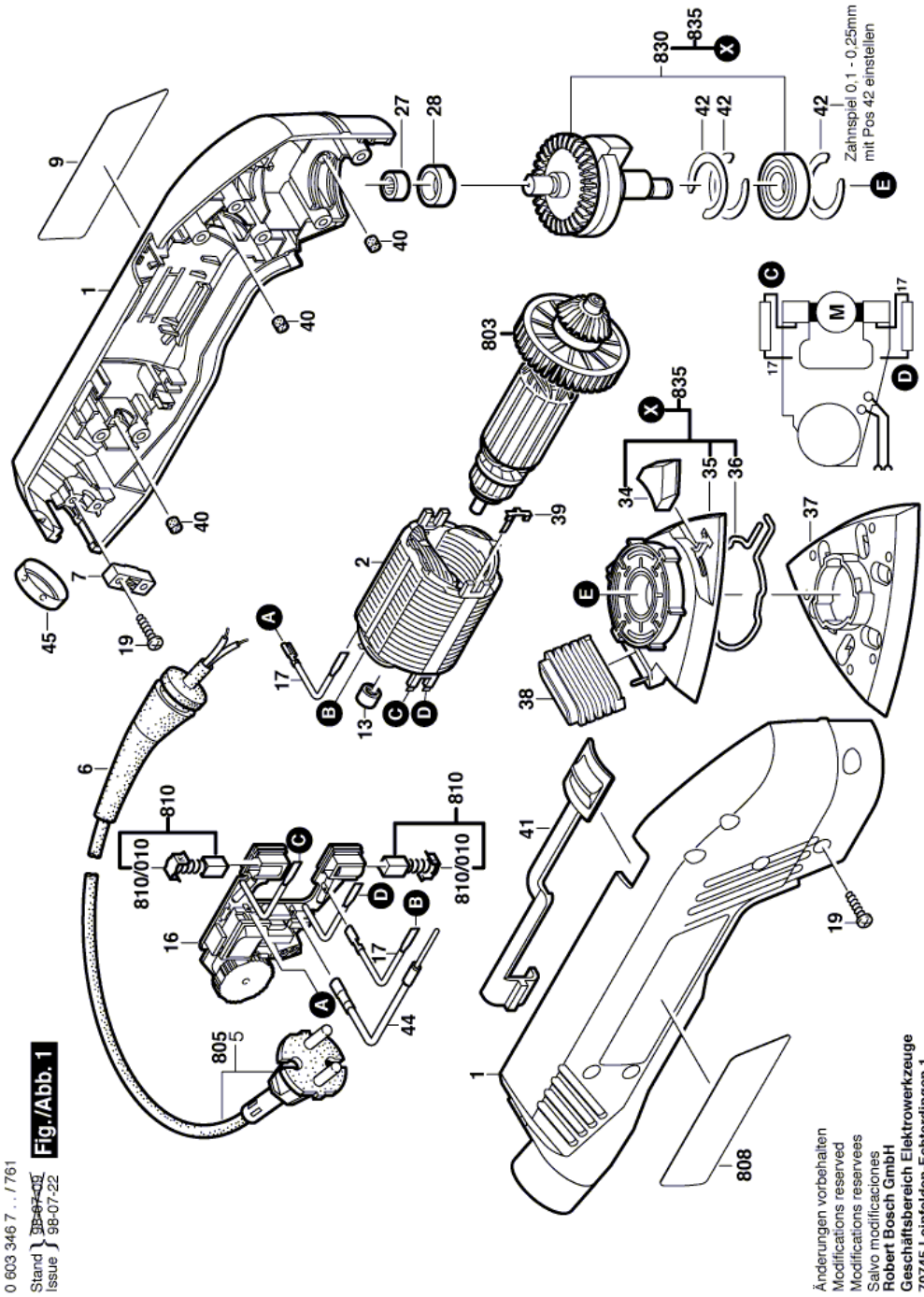
**BOSCH**

Item	Part Number	Description	Illustration	Price	Quantity	Price Group
1	2 605 104 573	Housing Section BLUE	1	-,-	1	-
2	2 604 220 577	Field 110-115V	1	-,-	1	27
5	2 604 460 187	Power supply cord USA/CDN 2,68m 2 x 082mm SJ 18/2	1	-,-	1	26
6	2 600 703 018	Grommet Ø7,3-Ø8,6x76 MM	1	-,-	1	13
7	2 601 035 001	Cable Clip	1	-,-	1	11
9	2 601 118 942	Manufacturer's nameplate	1	-,-	1	15
13	2 600 917 002	Needle bearing	1	-,-	1	15
16	2 607 233 024	Speed governor 120V	1	-,-	1	35
17	2 604 448 034	Connecting Cable L=88 MM WHITE	1	-,-	2	11
19	2 603 490 022	Torx Oval-Head Screw 4x16	1	-,-	9	10
27	2 600 917 003	Needle bearing Ø8x8 MM	1	-,-	1	14
28	2 600 390 026	Bearing Carrier	1	-,-	1	13
34	2 608 000 173	Catch Slide	1	-,-	1	11
35	2 601 098 044	Tool Holding Fixture	1	-,-	1	29
36	2 604 680 000	Clamping Spring	1	-,-	1	11
37	2 608 000 174	Sander Plate	1	-,-	1	26
38	2 600 712 006	Flexible Connection	1	-,-	1	13
39	2 601 329 037	Contact Spring	1	-,-	1	11
40	2 603 100 056	Rubber Buffer	1	-,-	3	11
41	2 602 319 010	Switch Slide	1	-,-	1	11
42	2 600 101 088	Shim 0,2 MM	1	-,-	2	11
42	2 600 101 089	Shim 0,3 MM	1	-,-	2	11
42	2 600 101 090	Shim 0,4 MM	1	-,-	2	11
42	2 600 101 091	Shim 0,5 MM	1	-,-	2	11
44	2 604 448 200	Earth Conductor	1	-,-	1	13
45	2 600 290 025	Clamping Ring	1	-,-	1	14
803	2 604 010 939	Armature 115V	1	-,-	1	34
808	2 601 119 302	Marking Plate	1	-,-	1	15
810	2 607 014 010	Carbon-Brush Set	1	-,-	1	21
810/010	2 601 322 018	Ratchet Cap	1	-,-	2	11
830	2 606 100 900	Bevel Gear Shaft Z= 31	1	-,-	1	30
835	2 601 098 900	Tool Holding Fixture	1	-,-	10	38

Product information Delta Sander - 0 603 346 735 - PDA 240 E

Product No	0 603 346 735
Description	255.025; Delta Sander
DIN-Text	
ID_Text_Ext	0
Trading_Description	PDA 240 E
Voltage_1	120 V
ID_Country_Product	USA

Illustration - Type E



0 603 346 7 ... 7761  
 Stand } 30-07-02  
 Issue } 98-07-22  
**Fig./Abb. 1**

Änderungen vorbehalten  
 Modifications reserved  
 Modificaciones reservées  
 Salvo modificaciones  
 Robert Bosch GmbH  
 Geschäftsbereich Elektrowerkzeuge  
 70745 Leinfelden-Echterdingen 1

Information subject to change without further notice.