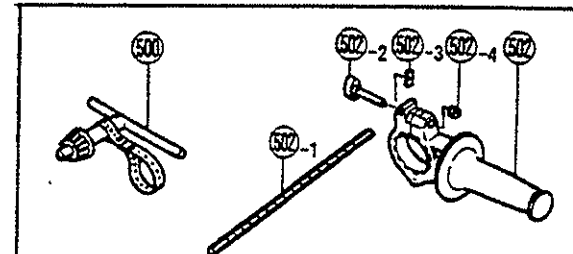
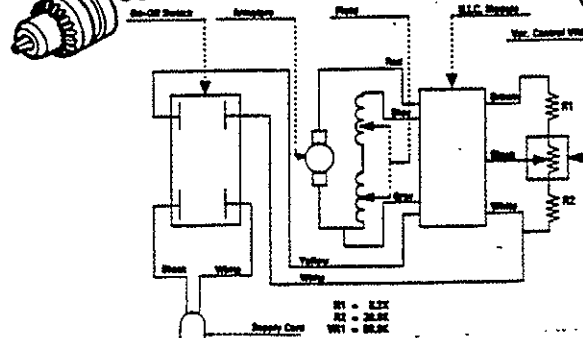
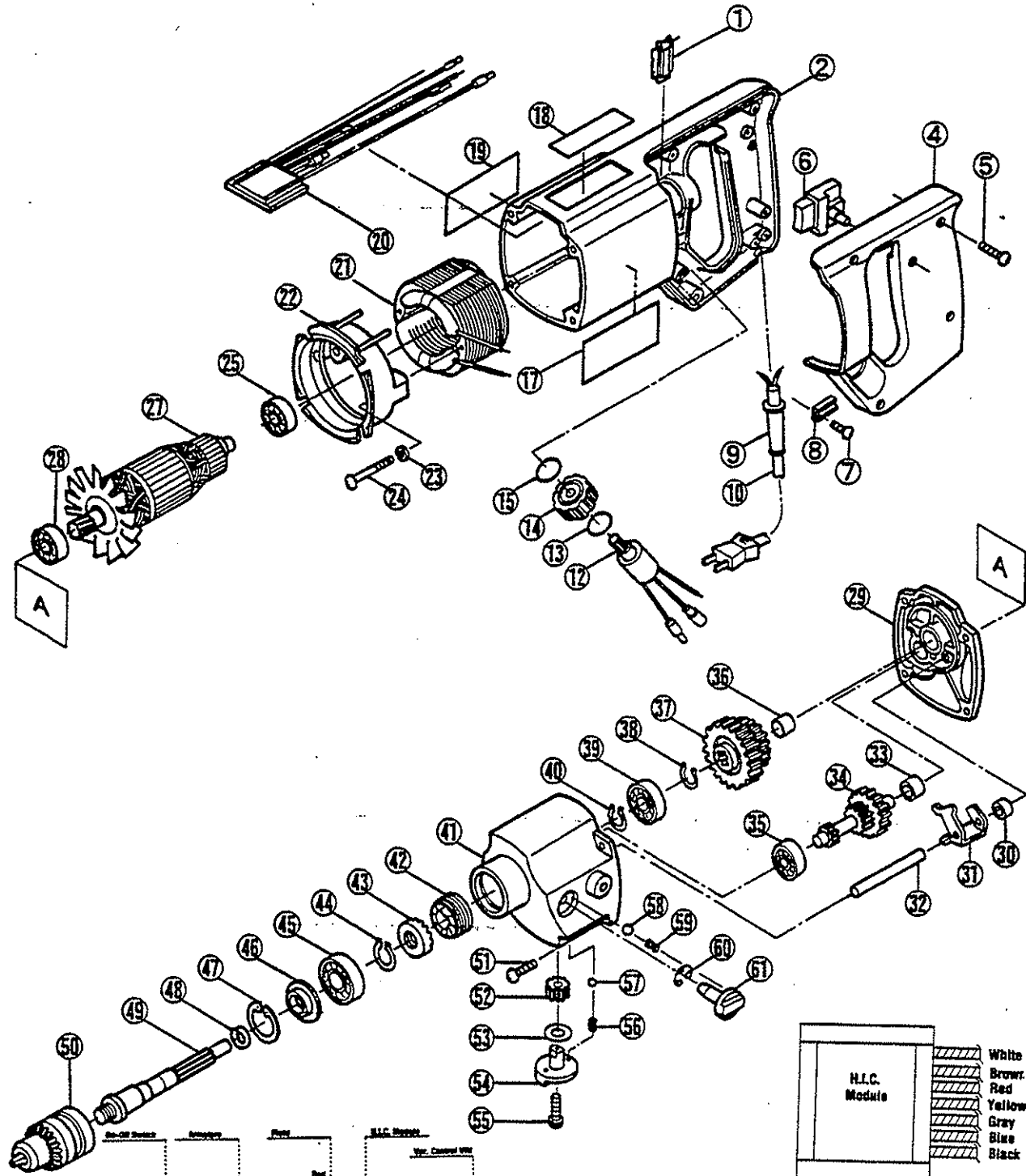


# IMPACT DRILL

PD-1930, PDE-1930



## PARTS LIST FOR AFTER SALES SERVICE MODEL PD1930, PDE1930

R	PART NO.	DESCRIPTION	MODEL	QTY	REF	PART NO.	DESCRIPTION	QTY
1	6540633	CARBON BRUSH SET		1	38	9511200	RETAINING RING S-12	1
2	6800842	MOTOR HOUSING		1	39	9826201	BALL BEARING #6201LLB	1
4	6830722	HANDLE COVER	PD1930	1	40	9511200	RETAINING RING S-12	1
—	6830723	HANDLE COVER	PDE1930	1	41	6820380	GEAR CASE	1
5	9060420	TAPPING SCREW (B) M4X20		5	42	6190079	FIXED CLUTCH	1
6	6550225	TRIGGER SWITCH	PD1930	1	43	6190080	MOVABLE CLUTCH	1
—	6550227	TRIGGER SWITCH	PDE1930	1	44	9511400	RETAINING RING S-14	1
7	9060416	TAPPING SCREW (B) M4X16		2	45	1750001	BALL BEARING #6202LLB	1
8	6560103	CORD CLAMP		1	46	6930028	DUST SEAL	1
9	6560131	CORD HOLDER		1	47	9523500	RETAINING RING R-35	1
10	6520331	CORD ASS'Y AWG#18X2X2		1	48	6180145	COMPRESSION SPRING	1
12	6430061	VARIABLE DEVICE	PDE1930	1	49	6100128	SPINDLE	1
13	9760018	O-RING P-18	PDE1930	1	50	6940318	13MM (1/2") DRILL CHUCK	1
14	6360140	DIAL	PDE1930	1	51	9060540	TAPPING SCREW (B) M5X40	4
15	9760018	O-RING P-18	PDE1930	1	52	6110101	PINION GEAR	1
17	6920989	"RYOBI" MARK	PD1930	1	53	6900296	WASHER	2
—	6920985	"RYOBI" MARK	PDE1930	1	54	6830740	CHANGE BUTTON	1
18	6911579	NAME PLATE	PD1930	1	55	9020425	PHILLIPS PAN SCREW M4X25	1
—	6911565	NAME PLATE	PDE1930	1	56	6180146	COMPRESSION SPRING	2
19	920376	INDICATION LABEL	PDE1930	1	57	6290055	STEEL BALL 5/32"	2
20	430064	SPEED CONTROL CIRCUIT MDLE	PDE1930	1	58	6290055	STEEL BALL 5/32"	1
21	6500916	FIELD COIL		1	59	6180146	COMPRESSION SPRING	1
22	6490190	FAN CASING		1	60	9500500	RETAINING RING E-5	1
23	9550500	SPRING WASHER M5		2	61	6830744	SHIFTING BUTTON	1
24	9060560	TAPPING SCREW (B) M5X60		2	—	6530134	TIGHTENING BAND PDE1930	1
25	622274001	BALL BEARING #608LLB		1	—	6530394	FASTEN SLEEVE	2
27	6031152	ARMATURE		1	—	6530396	SLEEVE COVER	2
28	622274001	BALL BEARING #608LLB		1	—	6560002	CONNECTOR PDE1930	3
29	6820371	INNER COVER		1	—	9674318	LEAD WIRE PD1930	1
30	6900294	COLLAR		1				
31	6151133	CHANGE ARM		1				
32	6120104	SHIFTER ROD		1	500	6240563	CHUCK KEY	1
33	6760052	OILLESS METAL		1	502	6071393	AUX. HANDLE SET	1
34	6050024	INTERMEDIATE GEAR		1	502-1	6100153	STOPPER	1
35	622274001	BALL BEARING #608LLB		1	502-2	6130391	WING BOLT M6X35	1
36	6760052	OILLESS METAL		1	502-3	6151184	STOPPER PLATE	1
37	6050025	FINAL GEAR		1	502-4	9300600	HEX NUT M6	1

SERVICE NOTES: