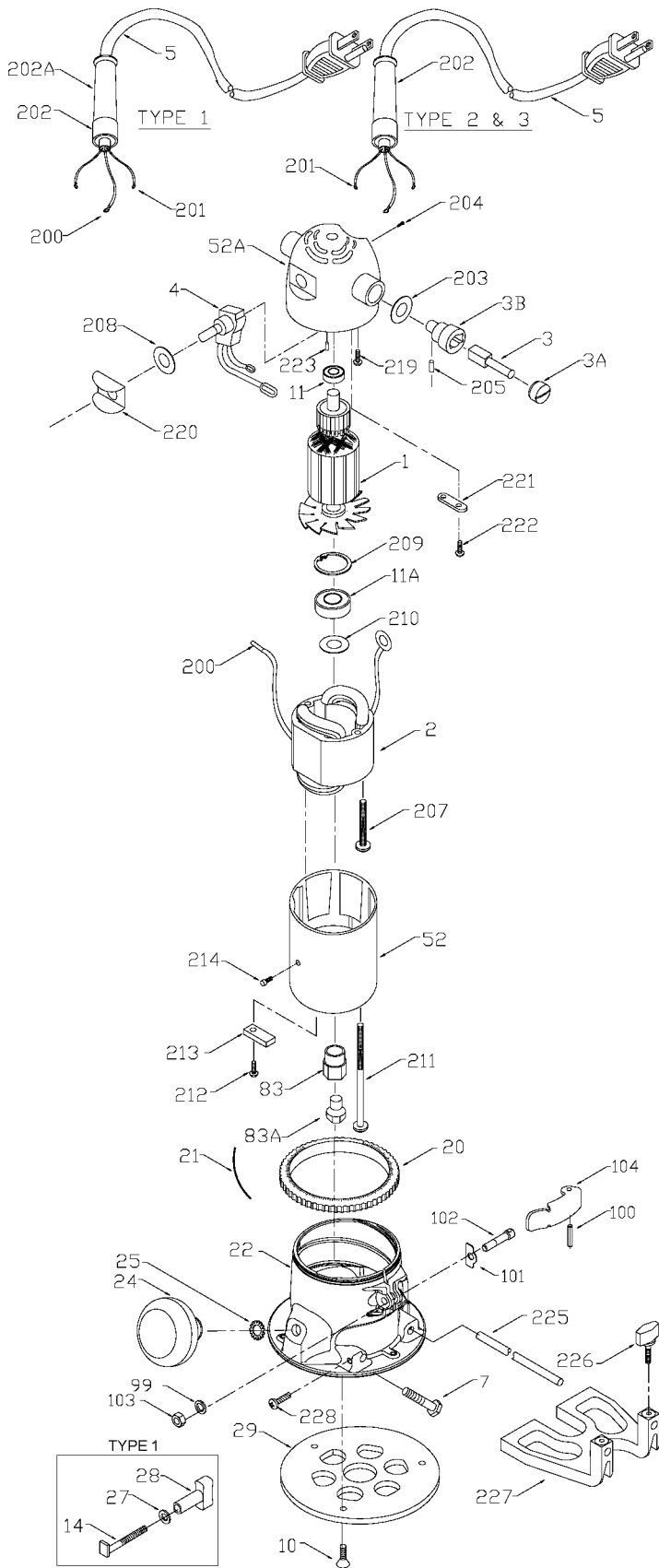


PORTER-CABLE ROUTER

Service Center or other competent repair center.

1001
1001H
1002
1002H



Parts List for PC1002 Type 2

Item Number	Part Number	Description	Qty Required
1	000000-00	No Longer Available	1
1	000000-00	No Longer Available	1
1	000000-00	No Longer Available	1
1	000000-00	No Longer Available	1
2	000000-00	No Longer Available	1
3	800838	BRUSH	2
3	000000-00	No Longer Available	2
3	000000-00	No Longer Available	2
3	000000-00	No Longer Available	1
4	842606SV	SWITCH	1
5	879182	CORD	1
7	802306	HEX HEAD SCREW	1
10	874117	SCREW	10
10	688860	SCREW	10
11	330003-85	BEARING	3
11	802311	BEARING	3
14	685526	SCREW	10
20	872998	DEPTH RING	1
21	800869	SPRING	3
22	5140096-05	SUB BASE	1
22	5140096-05	SUB BASE	1
22	5140096-05	SUB BASE	1
24	000000-00	No Longer Available	1
24	000000-00	No Longer Available	1
25	801821	WASHER	10
27	823374	WASHER	10
28	874582	CLAMP KNOB	1

Parts List for PC1002 Type 2

Item Number	Part Number	Description	Qty Required
29	42186	ROUTER SUB-BASE	1
29	875807	SUB BASE	1
52	000000-00	No Longer Available	1
52	000000-00	No Longer Available	1
83	000000-00	No Longer Available	1
83	800879	CHUCK	1
83	000000-00	No Longer Available	1
99	802417	WASHER	10
100	903118	PIN	1
101	A00323	WEAR PLATE	1
102	903120	SHAFT	1
103	903693	NUT	10
104	903114	BUCKLE	1
200	802303	CONNECTOR	1
201	849314	TERM	1
202	810716	RELIEVER	1
203	802223	WASHER	10
204	801896	SCREW	10
205	802388	SCREW	10
207	000000-00	No Longer Available	10
208	000000-00	No Longer Available	10
209	802302	RING	1
210	800865	DUSTSHIELD	1
211	000000-00	No Longer Available	10
212	884892	SCREW	10
213	000000-00	No Longer Available	1
214	800835	PIN	1

Parts List for PC1002 Type 2

Item Number	Part Number	Description	Qty Required
219	852310	SCREW	10
219	844107	SCREW	10
220	000000-00	No Longer Available	1
221	861434	CORD CLAMP	1
222	882187	SCREW	10
225	824588	ROD GUIDE	1
225	824588	ROD GUIDE	1
226	882810	KNOB	1
227	42160	ROUTER EDGE GUIDE	1
228	803160	SCREW	10
231	000000-00	No Longer Available	1
231	000000-00	No Longer Available	1