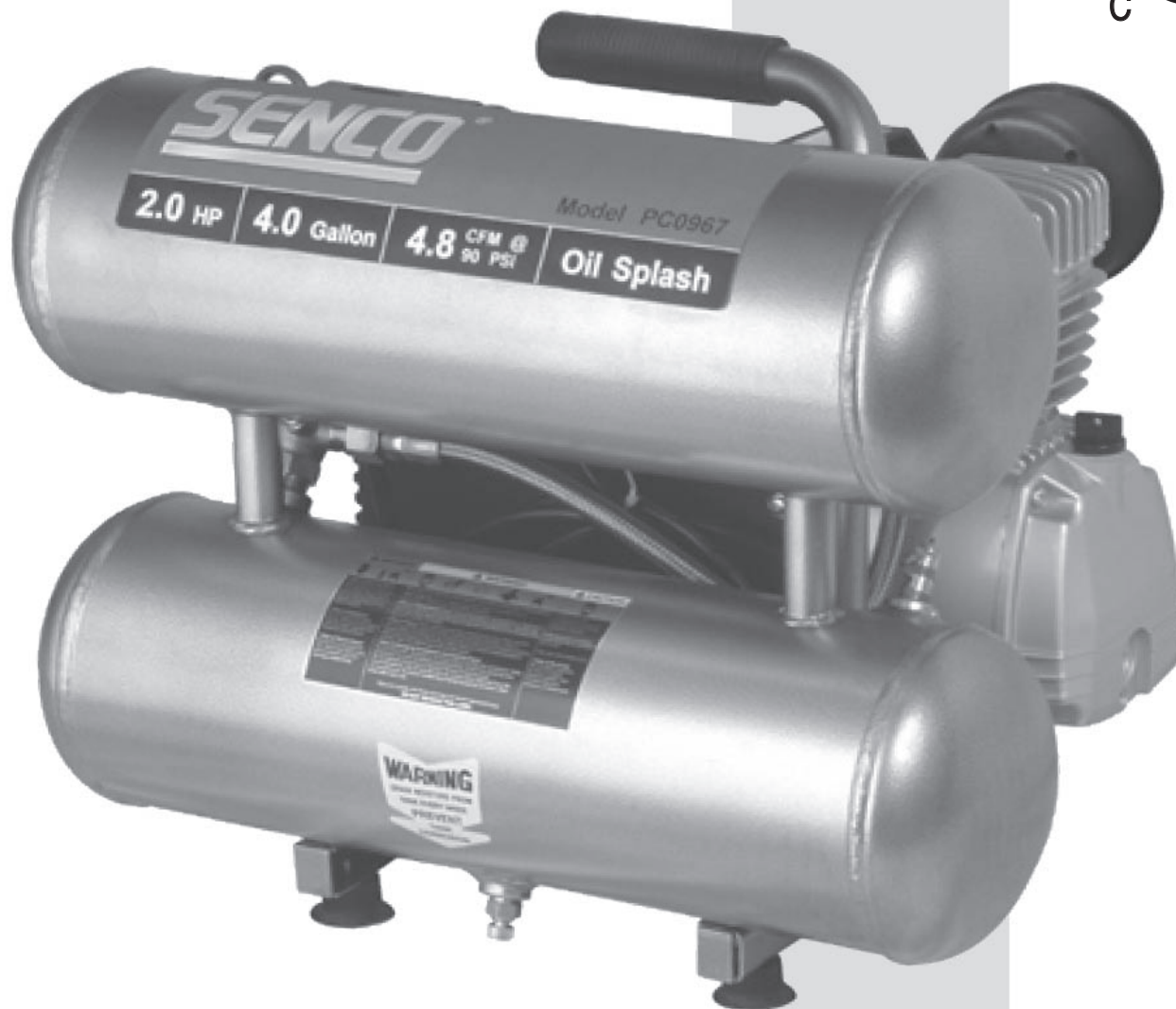


PC0967 Electric Compressor



Parts Reference Guide



*** Schematic drawings inside**

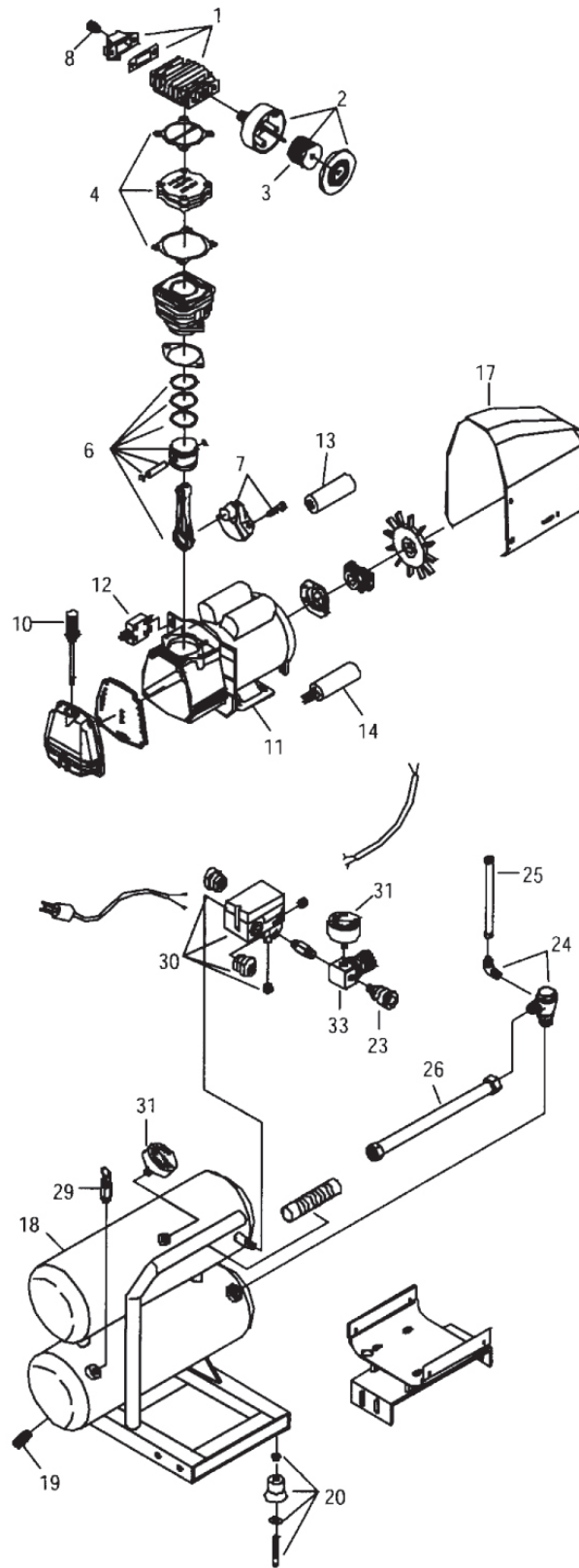
SENCO PRODUCTS, INC.
8485 Broadwell Road.
Cincinnati, Oh. 45244
www.senco.com

Questions? Comments? call SENCO's toll-free Action-line:
1-800-543-4596 (North & South America only)
or e-mail: toolprof@senco.com



PC0967 Electric Compressor

SENCO[®]



PC0967 Electric Compressor

SENCO[®]

REPLACEMENT PARTSLIST • LISTA DE PARTES DE REPUESTO • ERSATSTEILE-LISTE • LISTE DE PIÈCES DE RECHANGE

| REFERENCE NO. | DESCRIPTION | PART NO. | QUANTITY |
|---------------|--------------------------------------|-------------------|----------|
| 1..... | CYLINDER HEAD SET..... | 3101042QJ..... | 1 |
| 2..... | AIR FILTER SET..... | 2140019A..... | 1 |
| 3..... | FILTER ELEMENT..... | 2142013..... | 1 |
| 4..... | INTAKE & EXHAUST VALVE ASSEMBLY..... | 3B13K20..... | 1 |
| 6..... | PISTON ROD SET..... | 3B347AC10..... | 1 |
| 7..... | CRANKSHAFT & BALANCER..... | 3304076..... | 1 |
| 8..... | COLD START VALVE..... | 2409003..... | 1 |
| 10..... | DIPSTICK..... | 2339008A..... | 1 |
| 11..... | MOTOR / PUMP HOUSING..... | 3B8NC2002CF..... | 1 |
| 12..... | BREAKER..... | 2E2518A..... | 1 |
| 13..... | STARTING CAPACITOR..... | 2E28300F125V..... | 1 |
| 14..... | RUNNING CAPACITOR..... | 2E27050F250V..... | 1 |
| 17..... | MOTOR COVER..... | 2428003..... | 1 |
| 18..... | AIR TANK..... | 3401253A..... | 1 |
| 19..... | DRAIN VALVE..... | 2405011..... | 1 |
| 20..... | TANK FEET RUBBER PAD SET..... | 2433011A..... | 4 |
| 23..... | QUICK COUPLER..... | PC0509..... | 1 |
| 24..... | CHECK VALVE SET..... | 2414025E..... | 1 |
| 25..... | UNLOADING TUBE..... | 3B202260T..... | 1 |
| 26..... | DISCHARGE TUBE..... | 2T02040420..... | 1 |
| 29..... | PRESSURE RELIEF VALVE..... | 2406018..... | 1 |
| 30..... | PRESSURE SWITCH SET..... | 2E21025TBQJ..... | 1 |
| 31..... | PRESSURE GAUGE..... | 2D1215D2001..... | 2 |
| 33..... | REGULATOR..... | 2408008LN..... | 1 |

THIS PAGE INTENTIONALLY
LEFT BLANK