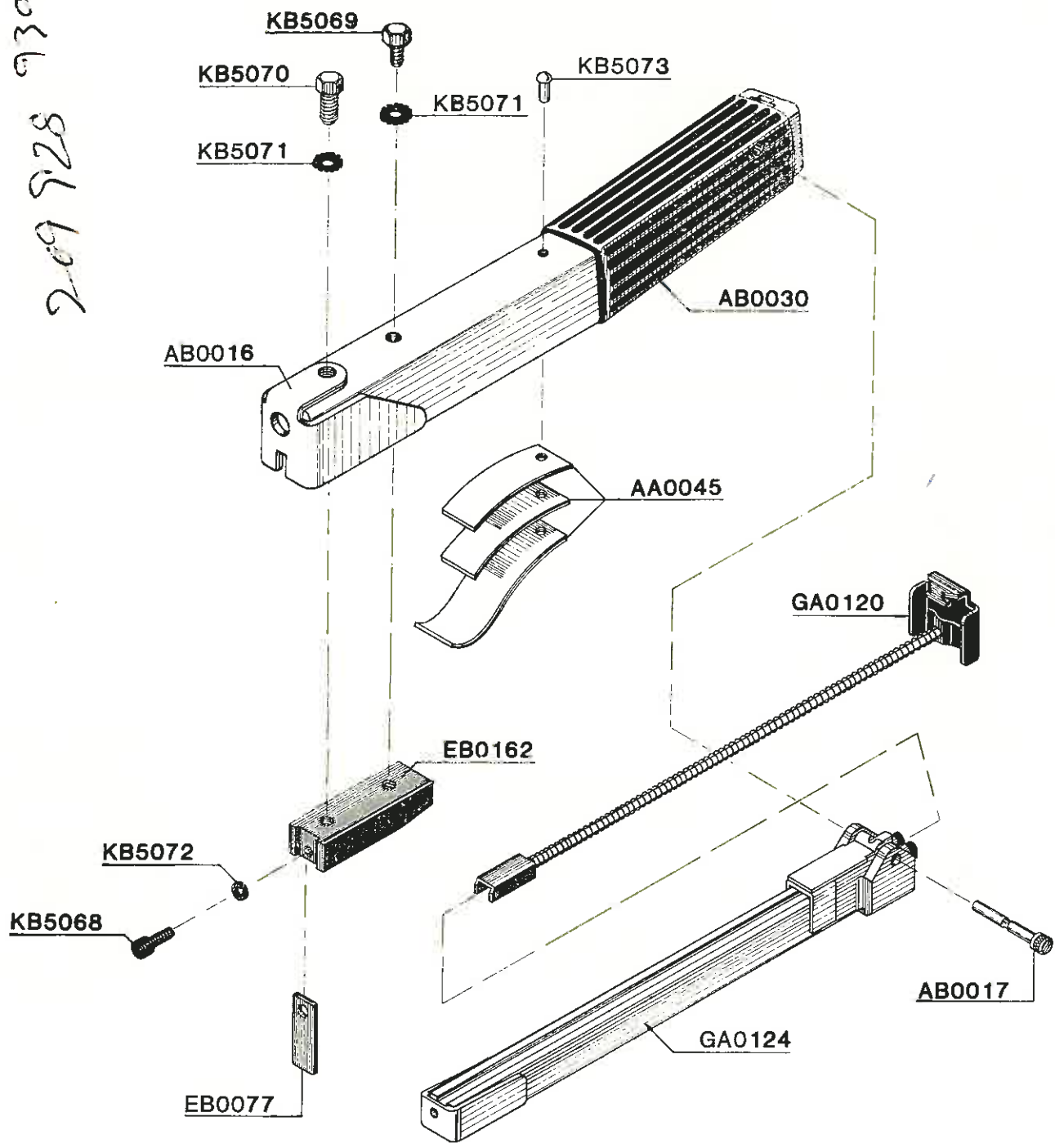


A 11 HAMMER TACKER

AKA: PC0700

209 928 9301



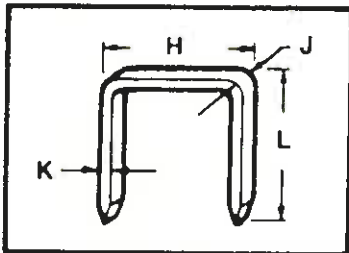
A-11 HAMMER TACKER REPLACEMENT PARTS

PART #	DESCRIPTION
AA0045	RETURN SPRING GROUP
AB0016	HANDLE FRAME
AB0017	ASSEMBLY PIN
AB0030	HANDLE FRAME GRIP
EB0077	DRIVER
EB0162	WEIGHT BALANCE BLOCK
GA0120	FEEDER ASSEMBLY
GA0124	MAGAZINE ASSEMBLY
KB5068	DRIVER SCREW
KB5069	SCREW
KB5070	SCREW
KB5071	LOCKWASHER
KB5072	LOCKWASHER
KB5073	RIVET

USES :

H06

STAPLE



H:	1/2"	12.7mm
J:	.050"	1.3mm
K:	.019"	.46mm
L:	3/8"	9.5mm

**SENCO
TOOL + SAFE
PROGRAM**



1. Use this strike tacker as a stapling tool only, **NOT** as a conventional hammer.
2. Do not indulge in horseplay.
3. Always wear safety glasses.
4. Practice the Senco Tool + Safe program. **RESPECT IT!**