

Cordless Drill - 0 603 933 234 - PBM 7,2 VS-1

www.powertools-aftersaleservice.com

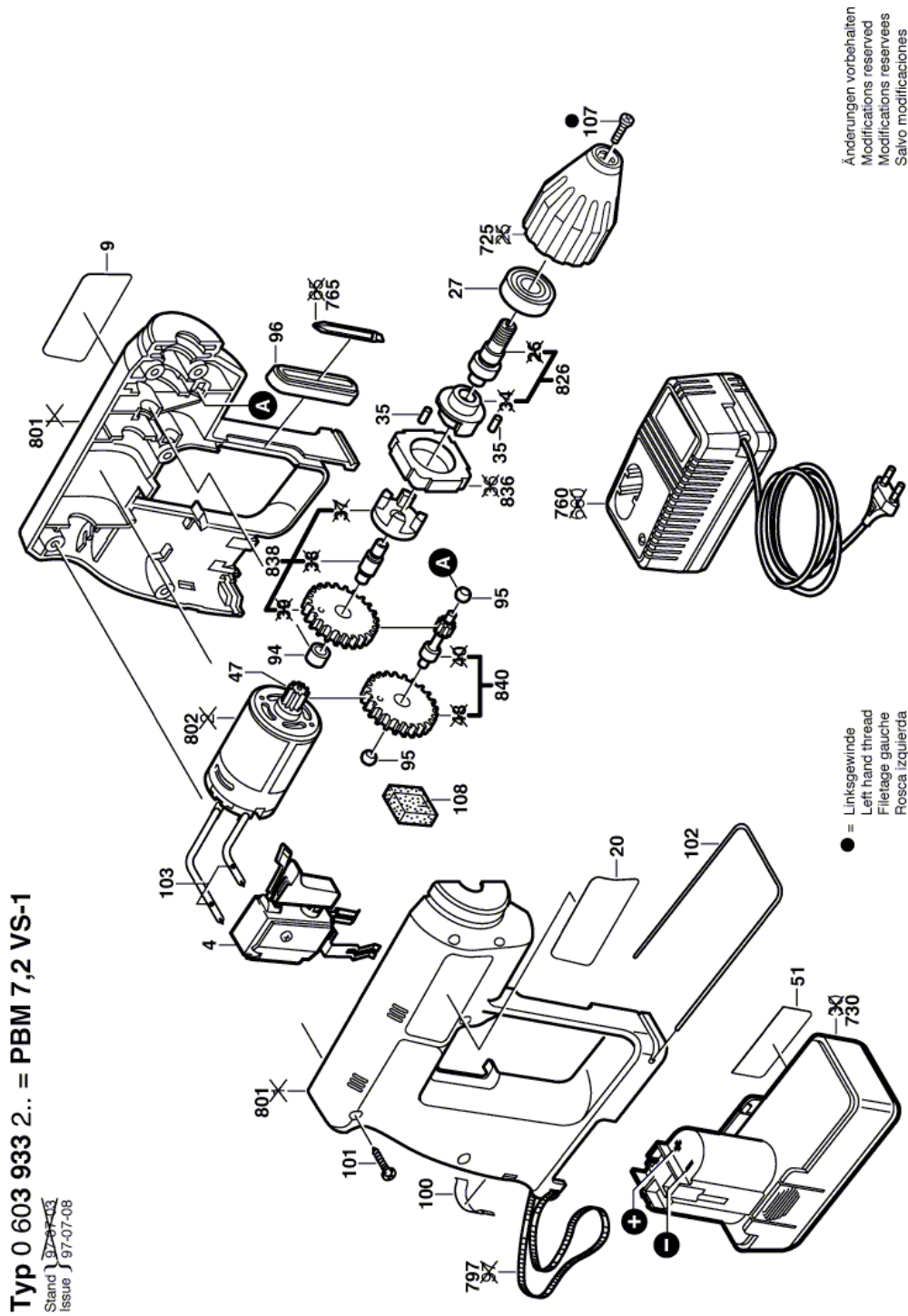


BOSCH

| Item | Part Number | Description | Illustration | Price | Quantity | Price Group |
|------|---------------|---|--------------|-------|----------|-------------|
| 4 | 2 607 200 317 | On-Off Switch | 1 | -,- | 1 | 31 |
| 9 | 2 601 118 326 | Manufacturer's nameplate SUNNY SIDE | 1 | -,- | 1 | 16 |
| 20 | 2 601 118 327 | Reference Plate SHADOW SIDE | 1 | -,- | 1 | 16 |
| 27 | 1 900 905 120 | Deep-Groove Ball Bearing 10x26x8 | 1 | -,- | 1 | 22 |
| 35 | 2 602 329 024 | Roller Body | 1 | -,- | 2 | 11 |
| 47 | 2 606 316 142 | Pinion Z=14 | 1 | -,- | 1 | 15 |
| 51 | 2 601 118 320 | Sticker RECHARGABLE BATTERY | 1 | -,- | 1 | 16 |
| 94 | 2 600 301 011 | Sintered-Metal Bushing | 1 | -,- | 1 | 11 |
| 95 | 2 600 302 002 | Sintered-Metal Bushing | 1 | -,- | 2 | 11 |
| 96 | 2 600 290 022 | Insert | 1 | -,- | 1 | 14 |
| 100 | 2 601 322 016 | Clamp Spring | 1 | -,- | 1 | 14 |
| 101 | 2 603 490 022 | Torx Oval-Head Screw 4x16 | 1 | -,- | 5 | 10 |
| 102 | 2 601 329 041 | Retaining Bracket | 1 | -,- | 1 | 11 |
| 103 | 2 604 413 004 | Cable L=79 MM WHITE | 1 | -,- | 2 | 11 |
| 107 | 2 603 421 227 | Countersunk-Head Screw | 1 | -,- | 1 | 11 |
| 108 | 2 601 010 038 | Dust Protection | 1 | -,- | 1 | 11 |
| 725 | 2 608 572 214 | Keyless Chuck | 1 | -,- | 1 | 38 |
| 730 | 2 607 336 141 | Slide-In Accu Package 7,2V,1,5Ah,NiCd | 1 | -,- | 1 | 40 |
| 760 | 2 607 224 708 | Fast Charger USA 120/7,2-14,4V, 30 MIN. | 1 | -,- | 1 | - |
| 760 | 2 607 224 431 | Fast Charger USA 120/7,2-24V, 1h | 1 | -,- | 1 | 48 |
| 760 | 2 607 224 701 | Fast Charger EU 230/7,2-14,4V, 30 MIN. | 1 | -,- | 1 | 45 |
| 760 | 2 607 224 425 | Fast Charger EU 230/7,2-24V, 1h | 1 | -,- | 1 | 46 |
| 760 | 2 607 224 703 | Fast Charger GB 230/7,2-14,4V, 30 MIN. | 1 | -,- | 1 | 48 |
| 760 | 2 607 224 427 | Fast Charger GB 230/7,2-24V, 1h | 1 | -,- | 1 | 47 |
| 760 | 2 607 224 705 | Fast Charger AUS 240/7,2-14,4V, 30 MIN. | 1 | -,- | 1 | 48 |
| 760 | 2 607 224 443 | Fast Charger AUS 240/7,2-14,4V, 1h | 1 | -,- | 1 | 43 |
| 765 | 1 609 200 147 | Screwdriver Blade 6 MM | 1 | -,- | 1 | 14 |
| 797 | 2 601 398 010 | Carrying Loop | 1 | -,- | 1 | - |
| 801 | 2 605 104 860 | Housing Section GREEN | 1 | -,- | 1 | 25 |
| 802 | 2 607 022 913 | DC motor 7,2V | 1 | -,- | 1 | 33 |
| 826 | 2 606 135 917 | Drilling Spindle 3/8" | 1 | -,- | 1 | 29 |
| 838 | 2 606 100 915 | Jack Shaft Z= 65 | 1 | -,- | 1 | 27 |
| 840 | 2 606 308 916 | Intmd. Transmission Hsg Z= 12/63 | 1 | -,- | 1 | 28 |

| Item | Part Number | Description | Illustration | Price | Quantity | Price Group |
|------|---------------|--|--------------|-------|----------|-------------|
| 899 | 0 603 933 223 | Cordless Drill BATTERY WITHOUT CHARGER | N/A | -,- | 1 | - |

Illustration - Type E



Information subject to change without further notice.