

## Cordless Drill - 0 603 933 634 - PBM 7,2 VES-1

www.powertools-aftersaleservice.com

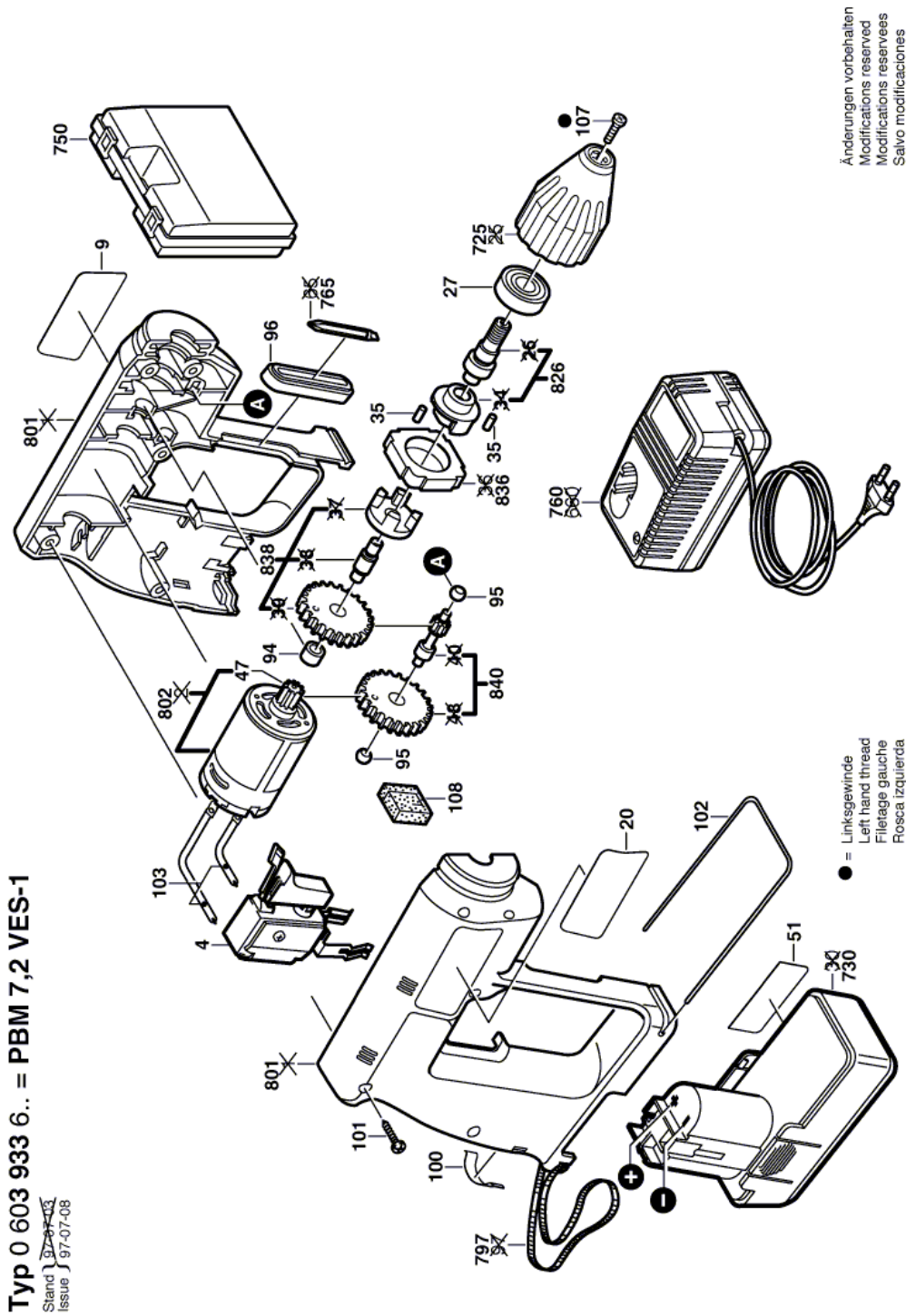


**BOSCH**

Item	Part Number	Description	Illustration	Price	Quantity	Price Group
4	2 607 200 309	On-Off Switch	1	-,-	1	40
9	2 601 118 471	Manufacturer's nameplate SUNNY SIDE	1	-,-	1	13
20	2 601 118 472	Manufacturer's nameplate SHADOW SIDE	1	-,-	1	13
27	1 900 905 120	Deep-Groove Ball Bearing 10x26x8	1	-,-	1	22
35	2 602 329 024	Roller Body	1	-,-	2	11
47	2 606 316 142	Pinion Z=14	1	-,-	1	15
51	2 601 118 320	Sticker RECHARGABLE BATTERY	1	-,-	1	16
94	2 600 301 011	Sintered-Metal Bushing	1	-,-	1	11
95	2 600 302 002	Sintered-Metal Bushing	1	-,-	2	11
96	2 600 290 022	Insert	1	-,-	1	14
100	2 601 322 016	Clamp Spring	1	-,-	1	14
101	2 603 490 022	Torx Oval-Head Screw 4x16	1	-,-	5	10
102	2 601 329 041	Retaining Bracket	1	-,-	1	11
103	2 604 413 004	Cable L=79 MM WHITE	1	-,-	2	11
107	2 603 421 227	Countersunk-Head Screw	1	-,-	1	11
108	2 601 010 038	Dust Protection	1	-,-	1	11
730	2 607 336 141	Slide-In Accu Package 7,2V,1,5Ah,NiCd	1	-,-	1	40
760	2 607 224 708	Fast Charger USA 120/7,2-14,4V, 30 MIN.	1	-,-	1	-
760	2 607 224 431	Fast Charger USA 120/7,2-24V, 1h	1	-,-	1	48
760	2 607 224 714	Fast Charger ROK 220/7,2-14,4V, 30 MIN.	1	-,-	1	-
760	2 607 224 437	Fast Charger ROK 220/7,2-24V, 1h	1	-,-	1	46
760	2 607 224 701	Fast Charger EU 230/7,2-14,4V, 30 MIN.	1	-,-	1	45
760	2 607 224 425	Fast Charger EU 230/7,2-24V, 1h	1	-,-	1	46
760	2 607 224 703	Fast Charger GB 230/7,2-14,4V, 30 MIN.	1	-,-	1	48
760	2 607 224 427	Fast Charger GB 230/7,2-24V, 1h	1	-,-	1	47
760	2 607 224 705	Fast Charger AUS 240/7,2-14,4V, 30 MIN.	1	-,-	1	48
760	2 607 224 443	Fast Charger AUS 240/7,2-14,4V, 1h	1	-,-	1	43
765	1 609 200 147	Screwdriver Blade 6 MM	1	-,-	1	14
797	2 601 398 009	Carrying Loop	1	-,-	1	-
801	2 605 104 860	Housing Section GREEN	1	-,-	1	25
802	2 607 022 913	DC motor 7,2V	1	-,-	1	33
826	2 606 135 917	Drilling Spindle 3/8"	1	-,-	1	29
836	2 600 202 025	Ring	1	-,-	1	18

Item	Part Number	Description	Illustration	Price	Quantity	Price Group
838	2 606 100 915	Jack Shaft Z= 65	1	-,-	1	27
840	2 606 308 916	Intmd. Transmission Hsg Z= 12/63	1	-,-	1	28
899	0 603 933 623	Cordless Drill BATTERY WITHOUT CHARGER	N/A	-,-	1	-

Illustration - Type E



Information subject to change without further notice.