



BOSCH

Radio Box

PB360C-C | 0 601 429 A11

Table of Content

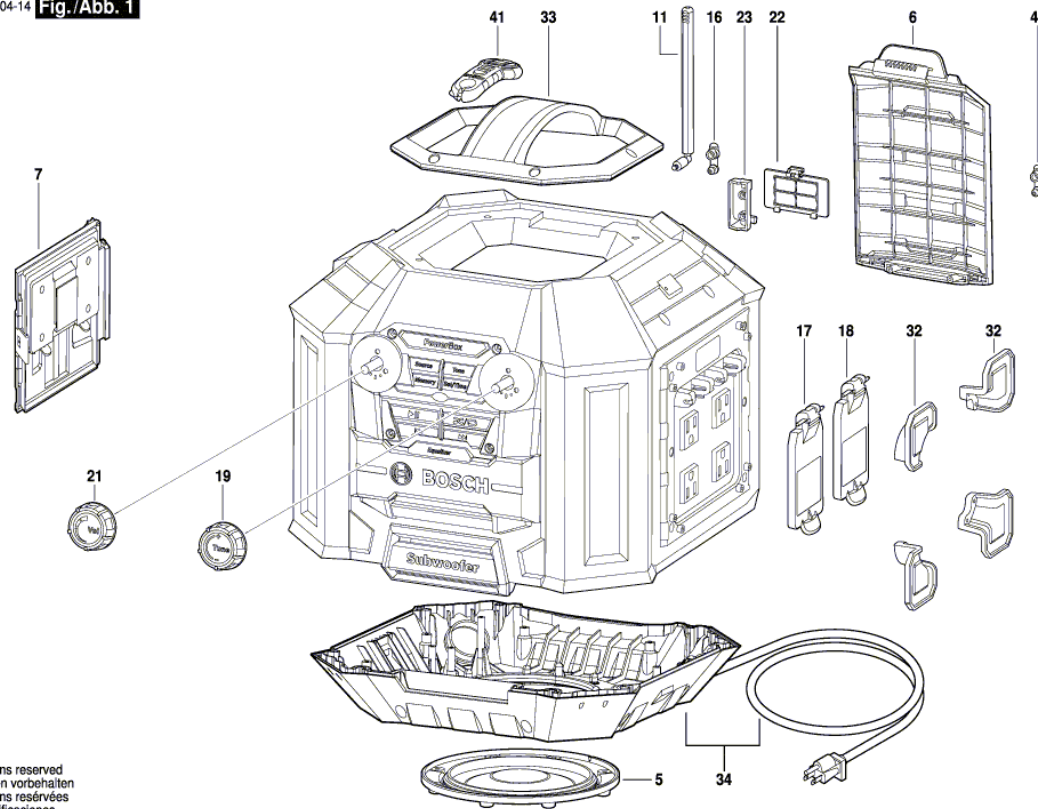
Spare parts list.....	2
Illustration - Type.....	3

Spare parts list

Item	Part Number	Description	Illustration
5	2 610 008 312	Protective Grille	1
6	1 600 A00 FG6	Cover Flap	1
7	2 610 008 314	Cover Flap	1
11	2 610 008 316	Radio Antenna	1
16	2 610 008 324	Rubber Plug	1
17	2 610 008 325	Door Seal	1
18	2 610 008 326	Door Seal	1
19	2 610 008 327	Rotary Knob	1
21	2 610 008 328	Rotary Knob	1
22	2 610 008 329	Cover Flap	1
23	2 610 008 330	Holder	1
32	2 610 008 339	Cable Holder	1
33	2 610 012 187	Holding Handle	1
34	2 610 008 353	Housing Base	1
40	2 610 012 188	Rubber Plug	1
41	2 610 034 018	Remote Control	1
1	2 610 008 308	Aluminum Tubing	2
2	2 610 008 309	Aluminum Tubing	2
3	2 610 008 310	Aluminum Tubing	2
4	2 610 008 311	Aluminum Tubing	2
12	2 610 008 317	Damping rubber	2
24	2 610 008 331	Corner Protection	2
25	2 610 008 332	Corner Protection	2
26	2 610 008 333	Corner Protection	2
27	2 610 008 334	Corner Protection	2
28	2 610 008 335	Corner Protection	2
29	2 610 008 336	Corner Protection	2
30	2 610 008 337	Corner Protection	2
31	2 610 008 338	Corner Protection	2
35	2 610 008 361	Damping rubber	2
36	2 610 008 362	Damping rubber	2
37	2 610 008 363	Damping rubber	2

Illustration - Type - E

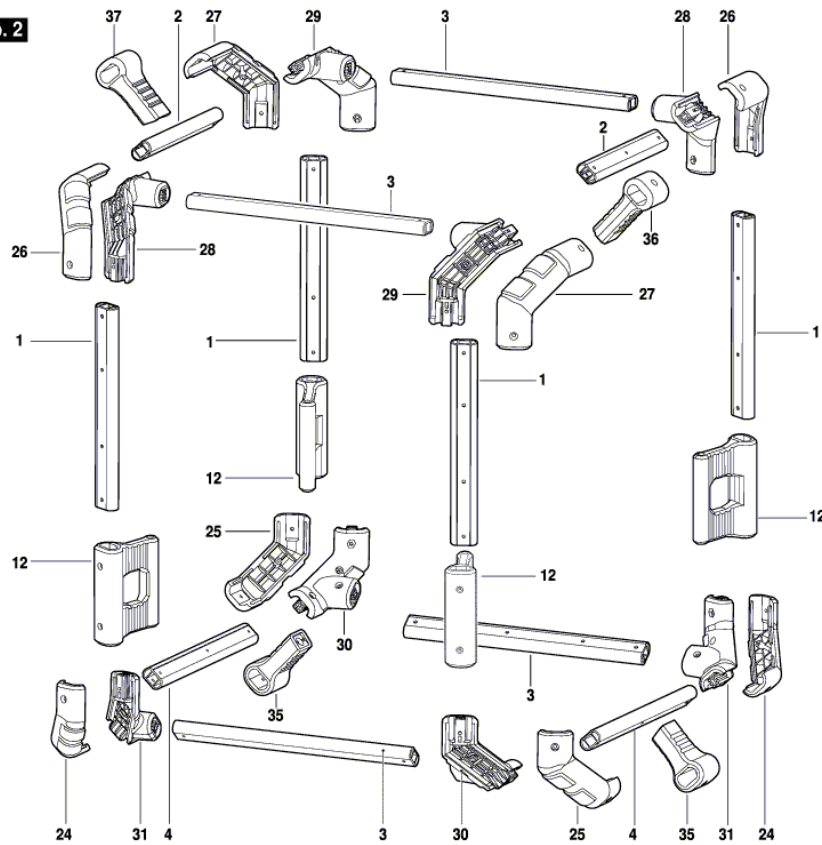
0 601 429 A10
 Issue | 21-04-14
 Stand | **Fig./Abb. 1**



Modifications reserved
 Änderungen vorbehalten
 Modifications réservées
 Salvo modificaciones

Illustration - Type - E

0 601 429 A10
 Issue | 15-11-11
 Stand | **Fig./Abb. 2**



Modifications reserved
 Änderungen vorbehalten
 Modifications réservées
 Salvo modificaciones