

Industrial Vacuum Cleaner - 0 603 269 834 - PAS 10...

www.powertools-aftersaleservice.com



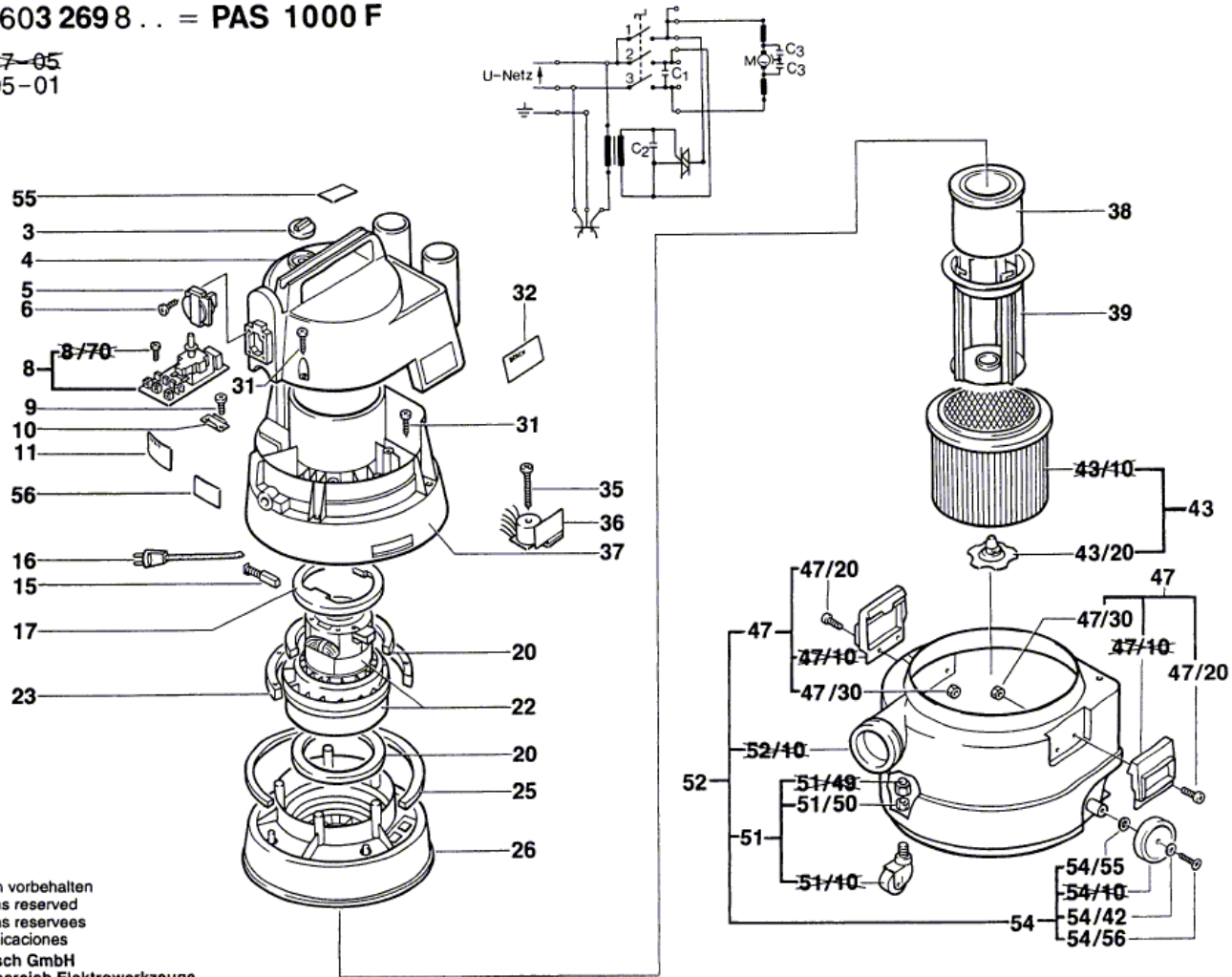
BOSCH

| Item | Part Number | Description | Illustration | Price | Quantity | Price Group |
|-------|---------------|---|--------------|-------|----------|-------------|
| 3 | 1 609 201 656 | Switch Button | 1 | -,- | 1 | 18 |
| 4 | 1 609 202 376 | Covering hood | 1 | -,- | 1 | 32 |
| 6 | 2 910 612 519 | Tapping Screw DIN 7983-ST3,9x19-C-H | 1 | -,- | 4 | 10 |
| 9 | 2 910 211 208 | Tapping Screw DIN 7971-B2,9x19 | 1 | -,- | 2 | 10 |
| 10 | 1 609 201 659 | Clamp | 1 | -,- | 1 | 13 |
| 11 | 1 601 110 568 | Nameplate | 1 | -,- | 1 | - |
| 15 | 1 609 201 699 | Carbon-Brush Set | 1 | -,- | 1 | 32 |
| 17 | 1 609 201 666 | Air-Deflector Ring | 1 | -,- | 1 | 16 |
| 20 | 1 609 201 669 | Seal Ring | 1 | -,- | 2 | 18 |
| 22 | 1 609 202 369 | Suction Blower 110-115V | 1 | -,- | 1 | 52 |
| 23 | 1 609 201 672 | Air Filter | 1 | -,- | 1 | 14 |
| 25 | 1 609 201 674 | Air Filter | 1 | -,- | 1 | 12 |
| 26 | 1 609 201 714 | Intermediate Flange | 1 | -,- | 1 | - |
| 31 | 2 910 611 015 | Tapping Screw DIN 7981-B3,5x25 | 1 | -,- | 11 | 11 |
| 32 | 1 601 110 572 | Reference Plate | 1 | -,- | 2 | - |
| 35 | 1 609 201 681 | Tapping Screw 3,5x32 MM | 1 | -,- | 1 | 11 |
| 37 | 1 609 201 715 | Intermediate housing | 1 | -,- | 1 | - |
| 38 | 1 609 200 952 | Float | 1 | -,- | 1 | 22 |
| 39 | 1 609 201 684 | Suction Basket | 1 | -,- | 1 | 19 |
| 43 | 1 609 201 636 | Air Filter Ø 148x188x165 MM | 1 | -,- | 1 | - |
| 43/20 | 1 609 202 200 | Star Knob | 1 | -,- | 1 | 12 |
| 47 | 1 609 201 690 | Bent-Lever Closure | 1 | -,- | 2 | 24 |
| 47/20 | 2 910 021 193 | Socket head cap screw DIN 84-AM6x12-8.8 | 1 | -,- | 4 | 10 |
| 47/30 | 2 915 011 007 | Hex Nut DIN 934-M6-8-A | 1 | -,- | 4 | 10 |
| 51 | 1 609 201 691 | Impeller | 1 | -,- | 1 | 25 |
| 51/50 | 2 915 011 009 | Hex Nut DIN 934-M8-8-A | 1 | -,- | 1 | 11 |
| 52 | 1 609 201 716 | Dust container GREEN | 1 | -,- | 1 | - |
| 54 | 1 609 202 221 | Impeller | 1 | -,- | 2 | 24 |
| 54/42 | 1 609 202 726 | Plain Washer Ø4,2xØ11x1,2MM | 1 | -,- | 2 | 11 |
| 54/55 | 2 916 011 016 | Plain Washer DIN 125-A 8,4-ST | 1 | -,- | 2 | 10 |
| 54/56 | 2 910 611 027 | Tapping Screw DIN 7981-B4,2x19 | 1 | -,- | 2 | 10 |
| 55 | 1 601 110 573 | Reference Plate | 1 | -,- | 1 | - |
| 651 | 1 609 200 968 | Suction Pipe Ø 49 MM, L=0,5 M | 3 | -,- | 2 | - |

| Item | Part Number | Description | Illustration | Price | Quantity | Price Group |
|--------|---------------|------------------------------------|--------------|-------|----------|-------------|
| 652 | 1 609 200 969 | Suction Nozzle Ø 49 MM | 3 | -,- | 1 | - |
| 653 | 1 609 200 970 | Suction Nozzle Ø 49 MM, 350 MM | 3 | -,- | 1 | - |
| 653/10 | 1 609 201 109 | Flat Brush | 3 | -,- | 1 | 21 |
| 653/20 | 1 609 201 110 | Flat Brush | 3 | -,- | 1 | 20 |
| 654 | 1 609 200 971 | Crevice Nozzle Ø 49 MM | 3 | -,- | 1 | - |
| 655 | 1 609 200 976 | Suction Pipe Ø 49/35 MM | 3 | -,- | 1 | - |
| 700 | 2 607 000 165 | Crevice Nozzle Ø 35 MM, L= 250 MM | 3 | -,- | 1 | - |
| 702 | 1 609 200 933 | Reduction Sleeve Ø 49/35 MM+3/4" | 3 | -,- | 1 | - |
| 703 | 1 609 201 628 | Paper Bag | 3 | -,- | 1 | - |
| 704 | 2 607 432 010 | Dust Separator | 3 | -,- | 1 | - |
| 705 | 1 609 201 627 | Guide Bracket | 3 | -,- | 1 | - |
| 705/20 | 1 609 201 661 | Parts Set | 3 | -,- | 1 | - |
| 706 | 1 609 201 236 | Nozzle Set | 2 | -,- | 1 | - |
| 706/10 | 1 609 202 230 | Air Hose Ø 35 MM, L=5 M | 2 | -,- | 1 | - |
| 706/20 | 1 609 201 271 | Suction Brush | 2 | -,- | 1 | - |
| 706/30 | 1 609 201 272 | Suction Brush | 2 | -,- | 1 | - |
| 706/40 | 1 609 201 273 | Suction Brush | 2 | -,- | 1 | - |
| 706/50 | 1 609 200 933 | Reduction Sleeve Ø 49/35 MM+3/4" | 2 | -,- | 1 | - |
| 707 | 2 607 000 163 | Air Hose Ø 35 MM, 2 M,1 | 2 | -,- | 1 | - |
| 707/1 | 1 609 202 230 | Air Hose Ø 35 MM, L=5 M | 2 | -,- | 1 | - |
| 708 | 1 609 201 229 | Suction Nozzle Ø 35 MM | 2 | -,- | 1 | - |
| 709 | 1 609 201 230 | Suction Nozzle Ø 35 MM | 2 | -,- | 1 | - |
| 710 | 1 609 201 231 | Flat Suction Nozzle Ø 35 MM-200 MM | 2 | -,- | 1 | - |
| 711 | 1 609 201 232 | Suction Pipe Ø 35 MM, L=0,5 M | 2 | -,- | 1 | - |
| 712 | 1 609 201 233 | Upholstery Nozzle Ø 35 MM | 2 | -,- | 1 | - |
| 713 | 1 609 201 234 | Suction Brush | 2 | -,- | 1 | - |
| 714 | 1 609 201 235 | Suction Nozzle Ø 49 MM | 3 | -,- | 1 | - |
| 750 | 2 607 000 167 | Air Hose Ø 49 MM, 3 M,1 | 3 | -,- | 1 | - |

Typ 0 603 269 8... = PAS 1000 F

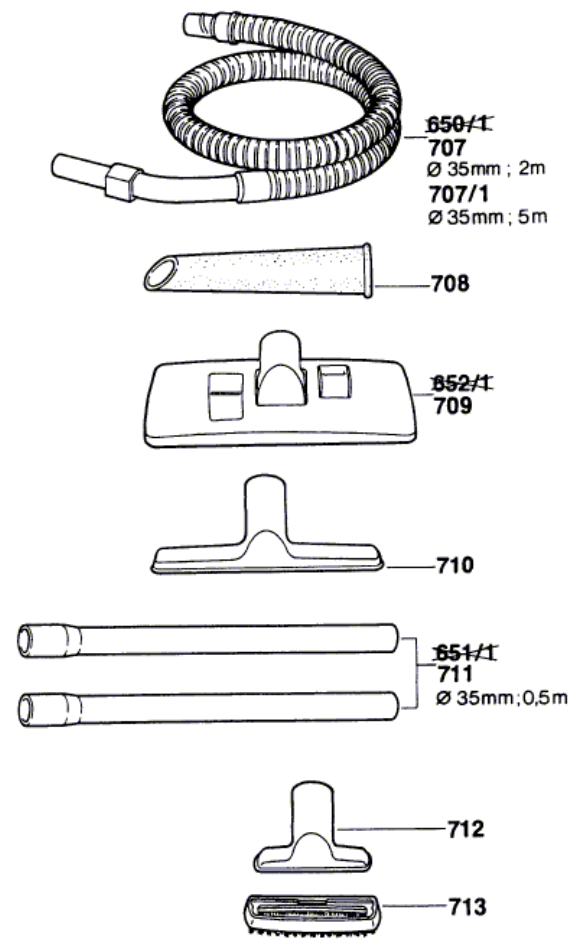
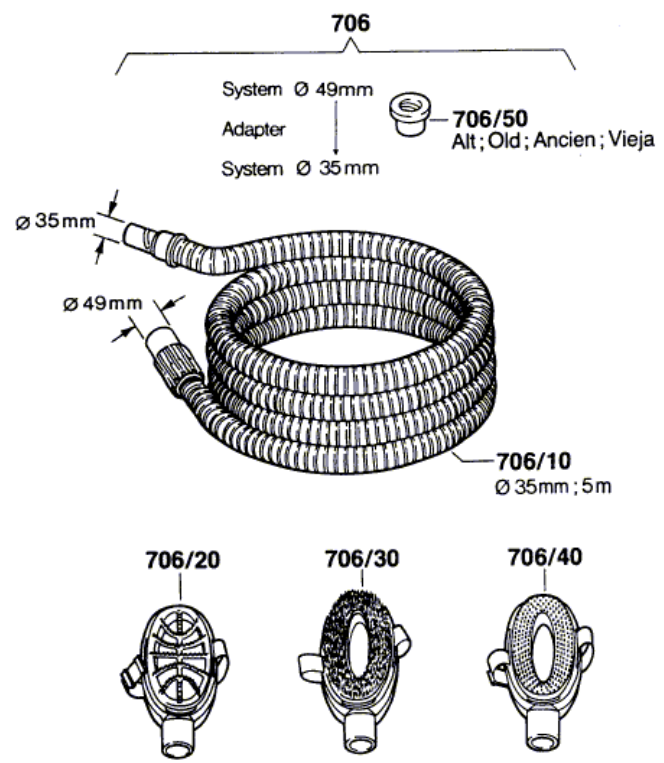
Stand ~~87-05~~
Issue 95-01



Änderungen vorbehalten
Modifications reserved
Modifications reserves
Salvo modificaciones
Robert Bosch GmbH
Geschäftsbereich Elektrowerkzeuge
70745 Leinfelden-Echterdingen

Typ 0 603 269 8... = PAS 1000 F

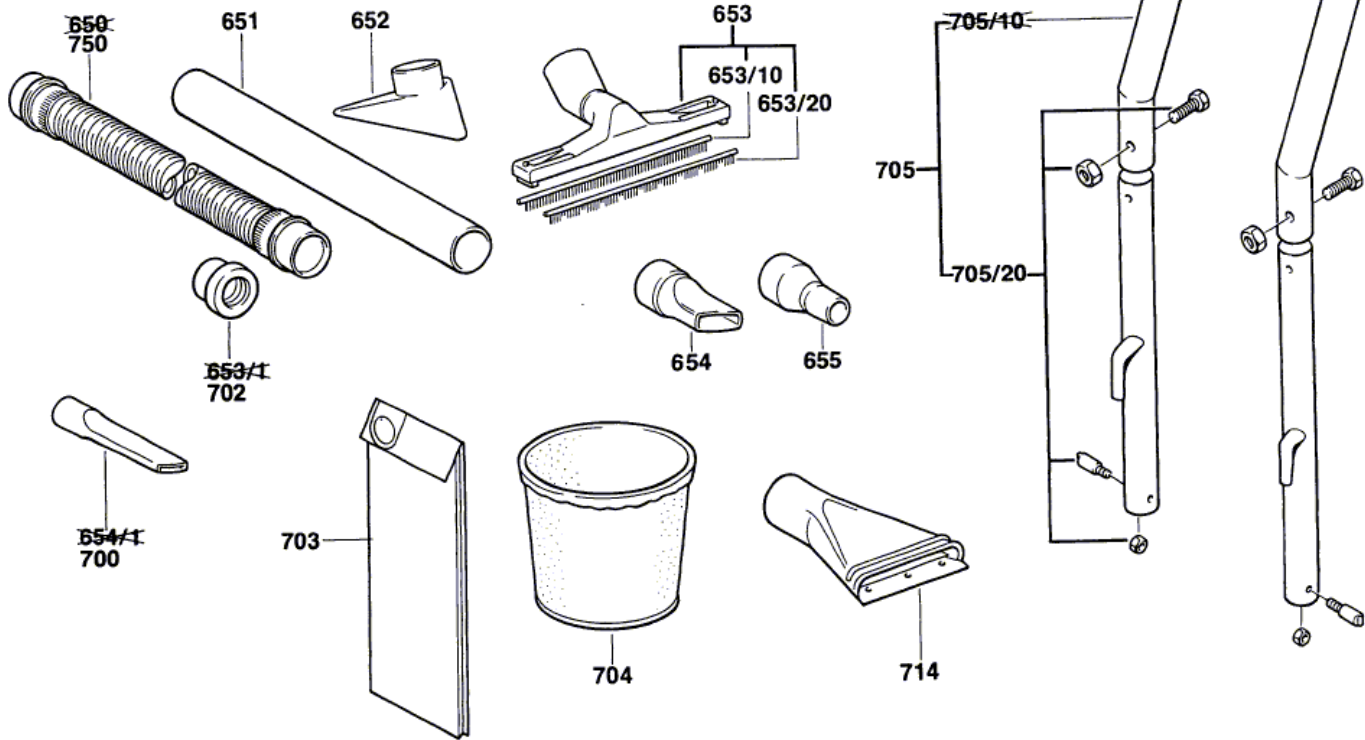
Stand ~~87-05~~
Issue 95-01



Änderungen vorbehalten
Modifications reserved
Modificacions reserves
Salvo modificaciones
Robert Bosch GmbH
Geschäftsbereich Elektrowerkzeuge
70745 Leinfelden-Echterdingen

Typ 0 603 269 8... = PAS 1000 F

Stand ~~94-10~~
Issue 95-01



Änderungen vorbehalten
Modifications reserved
Modifications reserves
Salvo modificaciones
Robert Bosch GmbH
Geschäftsbereich Elektrowerkzeuge
70745 Leinfelden-Echterdingen

Information subject to change without further notice.