

## Vaccum Cleaner - 0 603 269 474 - PAS 1000 F

www.powertools-aftersaleservice.com



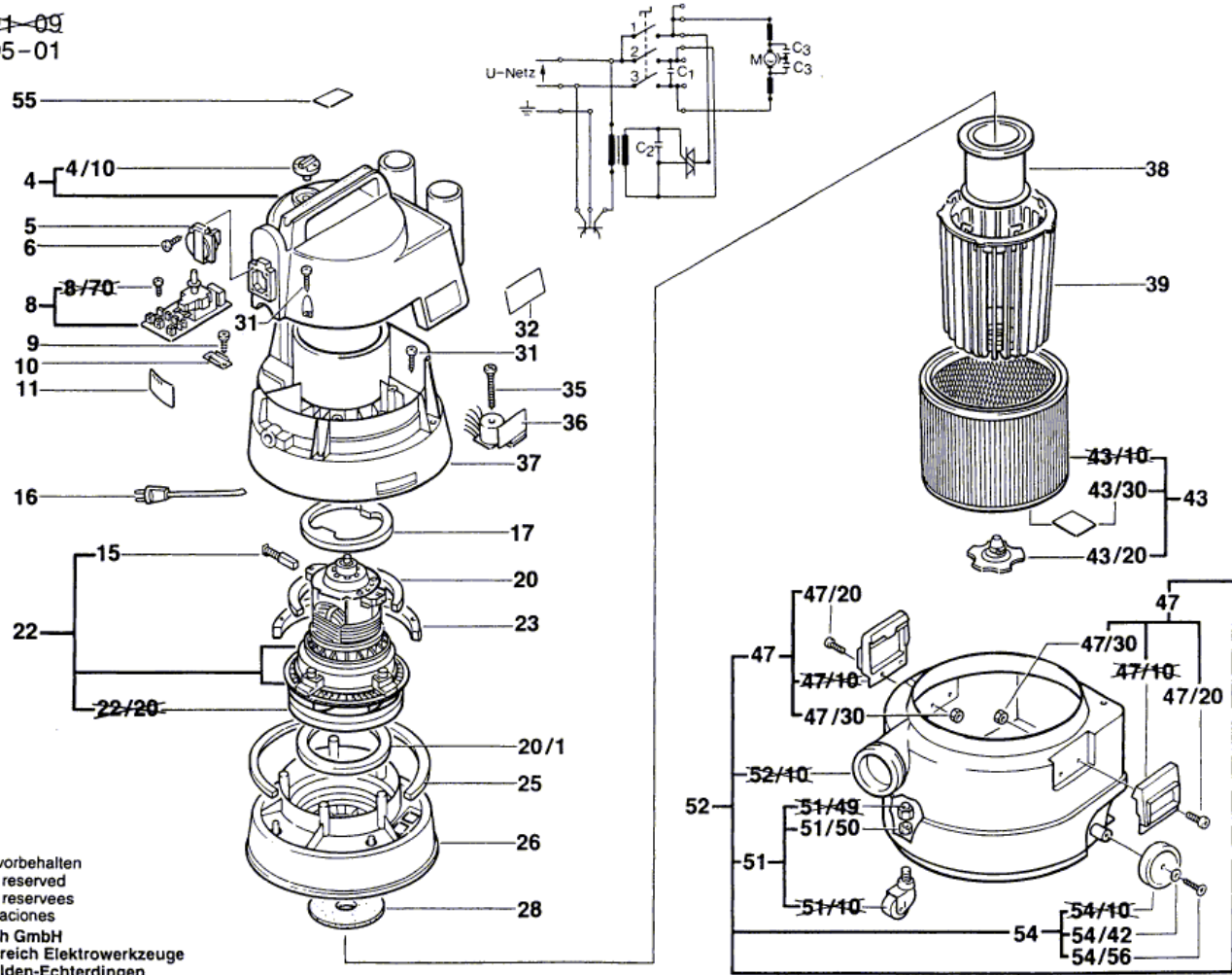
**BOSCH**

Item	Part Number	Description	Illustration	Price	Quantity	Price Group
4	1 609 202 376	Covering hood		1	-,-	1 32
4/10	1 609 203 721	Switch Button RED		1	-,-	1 24
5	1 609 201 707	Socket		1	-,-	1 29
6	2 910 612 519	Tapping Screw DIN 7983-ST3,9x19-C-H		1	-,-	4 10
8	1 609 201 706	On-Off Switch		1	-,-	1 37
9	2 910 211 208	Tapping Screw DIN 7971-B2,9x19		1	-,-	2 10
10	1 609 201 659	Clamp		1	-,-	1 13
11	1 601 110 884	Nameplate		1	-,-	1 12
15	1 609 201 699	Carbon-Brush Set		1	-,-	1 32
16	1 609 201 665	Cable		1	-,-	1 37
17	1 609 201 666	Air-Deflector Ring		1	-,-	1 16
20	1 609 201 669	Seal Ring		1	-,-	1 18
20/1	1 609 202 374	Seal Ring		1	-,-	1 13
22	1 609 202 369	Suction Blower 110-115V		1	-,-	1 52
23	1 609 201 672	Air Filter		1	-,-	1 14
25	1 609 201 674	Air Filter		1	-,-	1 12
26	1 609 202 375	Intermediate Flange		1	-,-	1 32
28	1 609 202 377	Air Filter		1	-,-	1 12
31	2 910 611 015	Tapping Screw DIN 7981-B3,5x25		1	-,-	11 11
32	1 601 110 572	Reference Plate		1	-,-	1 -
35	1 609 201 681	Tapping Screw 3,5x32 MM		1	-,-	1 11
35	2 910 611 015	Tapping Screw DIN 7981-B3,5x25		1	-,-	1 11
37	1 609 201 715	Intermediate housing		1	-,-	1 -
38	1 609 200 952	Float		1	-,-	1 22
39	1 609 201 684	Suction Basket		1	-,-	1 19
43	1 609 201 636	Air Filter Ø 148x188x165 MM		1	-,-	1 -
43/20	1 609 202 200	Star Knob		1	-,-	1 12
43/30	1 609 110 830	Reference Plate		1	-,-	1 -
47	1 609 201 690	Bent-Lever Closure		1	-,-	2 24
47/20	2 910 021 193	Socket head cap screw DIN 84-AM6x12-8.8		1	-,-	4 10
47/30	2 915 011 007	Hex Nut DIN 934-M6-8-A		1	-,-	4 10
51	1 609 201 691	Impeller		1	-,-	1 25
51/50	2 915 011 009	Hex Nut DIN 934-M8-8-A		1	-,-	1 11

Item	Part Number	Description	Illustration	Price	Quantity	Price Group
52	1 609 201 716	Dust container GREEN	1	-,-	1	-
54	1 609 202 221	Impeller	1	-,-	2	24
54/42	1 609 202 726	Plain Washer Ø4,2xØ11x1,2MM	1	-,-	2	11
54/56	2 910 611 027	Tapping Screw DIN 7981-B4,2x19	1	-,-	2	10
55	1 601 110 573	Reference Plate	1	-,-	1	-
703	1 609 201 628	Paper Bag	3	-,-	1	-
704	2 607 432 010	Dust Separator	3	-,-	1	-
705	1 609 201 627	Guide Bracket	3	-,-	1	-
705/20	1 609 201 661	Parts Set	3	-,-	1	-
750	2 607 000 163	Air Hose Ø 35 MM, 2 M,1	2	-,-	1	-
750/1	1 609 202 230	Air Hose Ø 35 MM, L=5 M	2	-,-	1	-
751	2 607 000 164	Setting Tube Ø 35 MM	2	-,-	1	-
752	2 607 000 162	Suction Pipe Ø 35 MM, 0,5 M	2	-,-	1	-
753	2 607 000 170	Suction Nozzle Ø 35 MM	2	-,-	1	-
754	1 609 390 478	Suction Nozzle Ø 35 MM	2	-,-	1	-
754/10	1 609 390 493	Flat Brush	2	-,-	1	30
754/20	1 609 390 494	Flat Brush	2	-,-	1	24
754/30	1 609 390 495	Strip brush	2	-,-	1	27
755	2 607 000 165	Crevice Nozzle Ø 35 MM, L= 250 MM	2	-,-	1	-
756	1 609 201 229	Suction Nozzle Ø 35 MM	2	-,-	1	-
757	1 609 201 230	Suction Nozzle Ø 35 MM	2	-,-	1	-
759	2 607 000 166	Suction Nozzle Ø 35 MM	2	-,-	1	-
759/20	1 609 202 534	Brush Insert	2	-,-	1	14
761	1 609 390 481	Suction Brush Ø 35 MM	2	-,-	1	-
762	2 607 000 168	Suction Nozzle Ø 35 MM	2	-,-	1	-
764	1 600 499 005	Fitting Ø 25x35 MM	2	-,-	1	-
765	1 609 200 933	Reduction Sleeve Ø 49/35 MM+3/4"	2	-,-	1	-
780	2 607 000 167	Air Hose Ø 49 MM, 3 M,1	3	-,-	1	-
782	1 609 200 968	Suction Pipe Ø 49 MM, L=0,5 M	3	-,-	2	-
783	2 607 000 169	Suction Nozzle Ø 49 MM	3	-,-	1	-
784	1 609 200 970	Suction Nozzle Ø 49 MM, 350 MM	3	-,-	1	-
784/10	1 609 201 109	Flat Brush	3	-,-	1	21
784/20	1 609 201 110	Flat Brush	3	-,-	1	20
786	1 609 200 971	Crevice Nozzle Ø 49 MM	3	-,-	1	-
787	1 609 200 976	Suction Pipe Ø 49/35 MM	3	-,-	1	-
788	1 609 201 235	Suction Nozzle Ø 49 MM	3	-,-	1	-

Typ 0 603 269 461 - 488 = PAS 1000 F Bild 1

Stand ~~91-09~~  
Issue 95-01

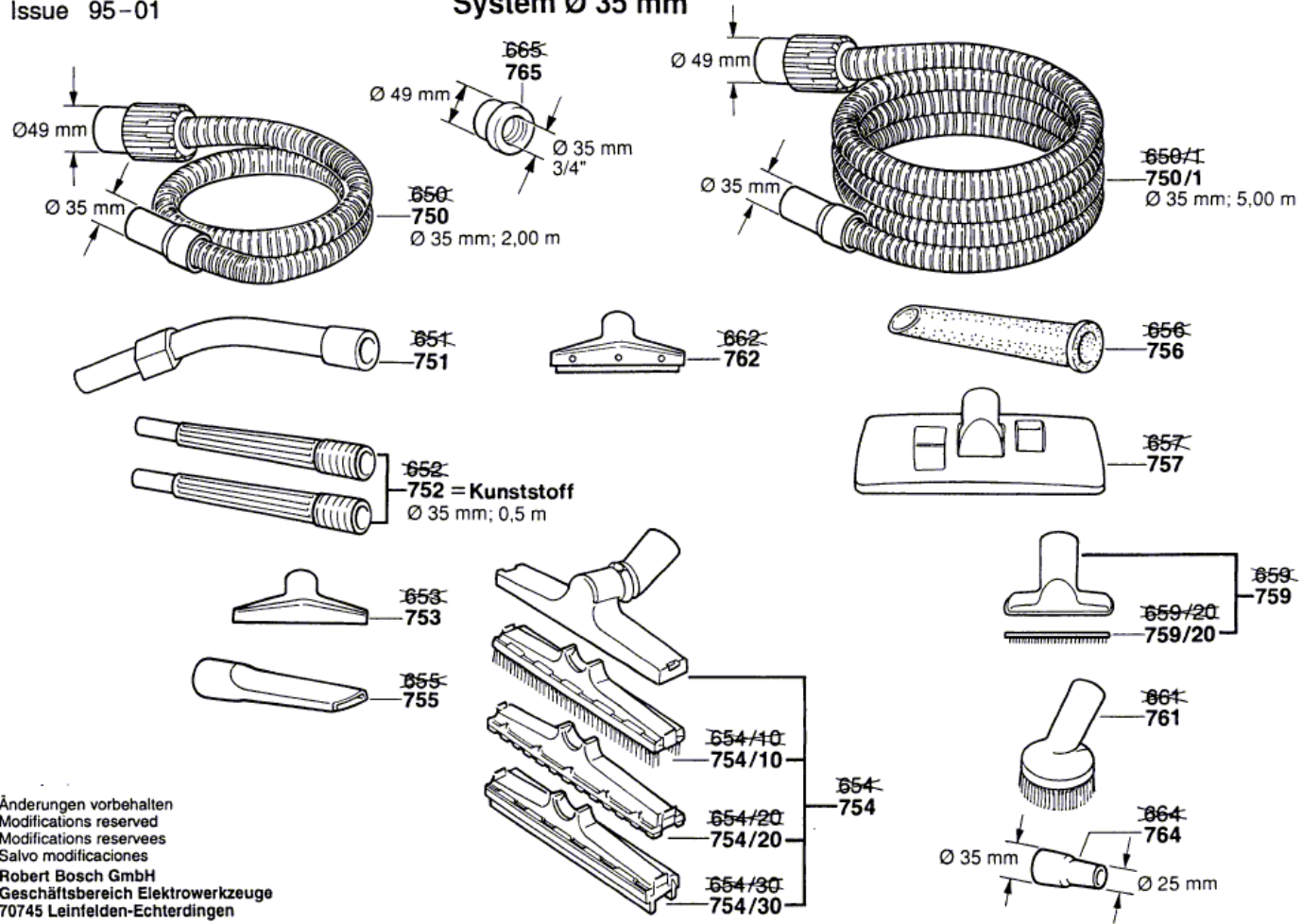


Änderungen vorbehalten  
Modifications reserved  
Modifications reserves  
Salvo modificaciones  
Robert Bosch GmbH  
Geschäftsbereich Elektrowerkzeuge  
70745 Leinfelden-Echterdingen

**Typ 0 603 269 461 - 488 = PAS 1000 F Bild 2**

Stand ~~94-10~~  
Issue 95-01

**System Ø 35 mm**

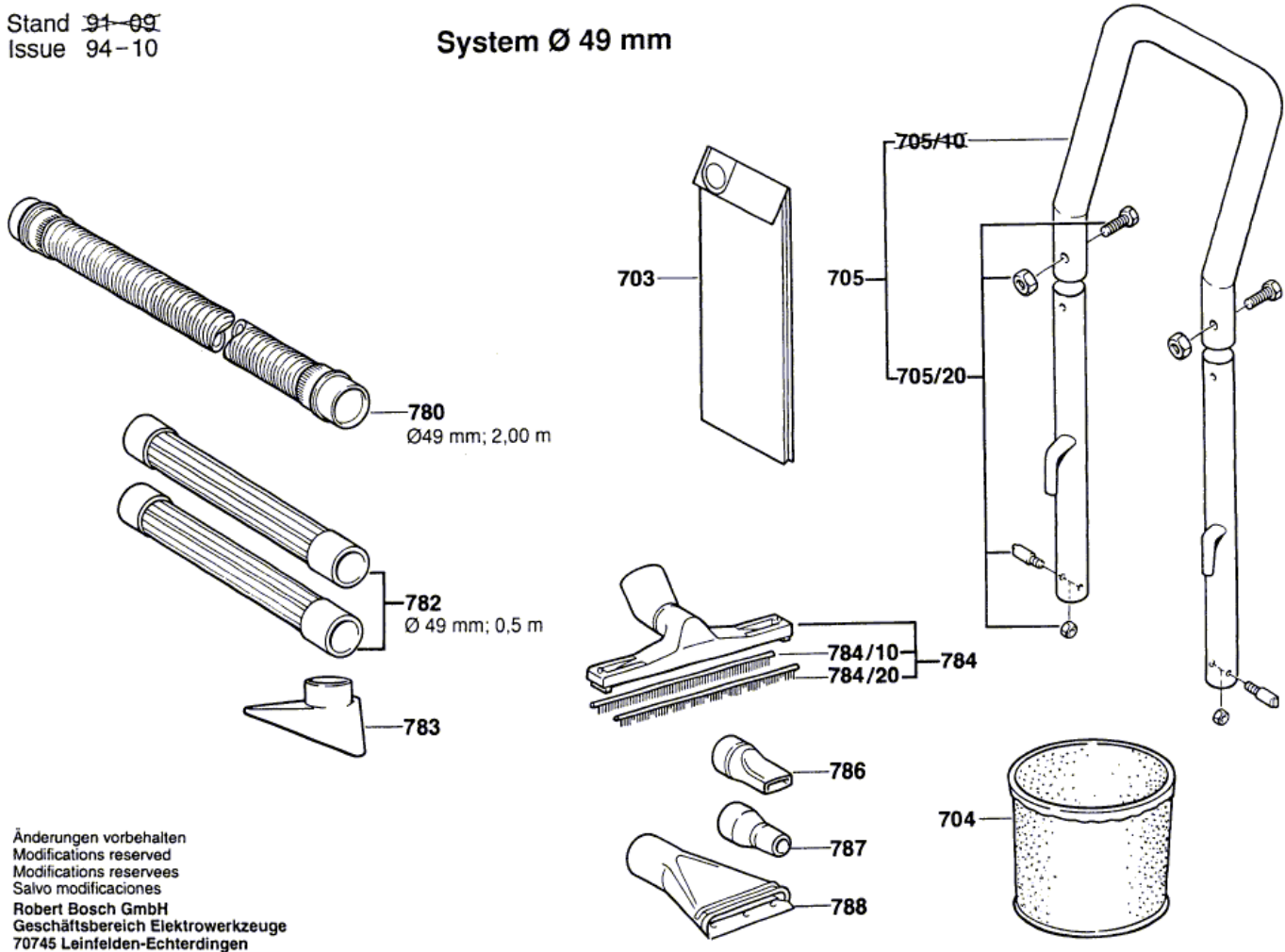


Änderungen vorbehalten  
Modifications reserved  
Modificaciones reservées  
Salvo modificaciones  
Robert Bosch GmbH  
Geschäftsbereich Elektrowerkzeuge  
70745 Leinfelden-Echterdingen

**Typ 0 603 269 461 - 488 = PAS 1000 F Bild 3**

Stand ~~91-09~~  
Issue 94-10

**System Ø 49 mm**



Änderungen vorbehalten  
Modifications reserved  
Modificaciones reserves  
Salvo modificaciones  
Robert Bosch GmbH  
Geschäftsbereich Elektrowerkzeuge  
70745 Leinfelden-Echterdingen

Information subject to change without further notice.