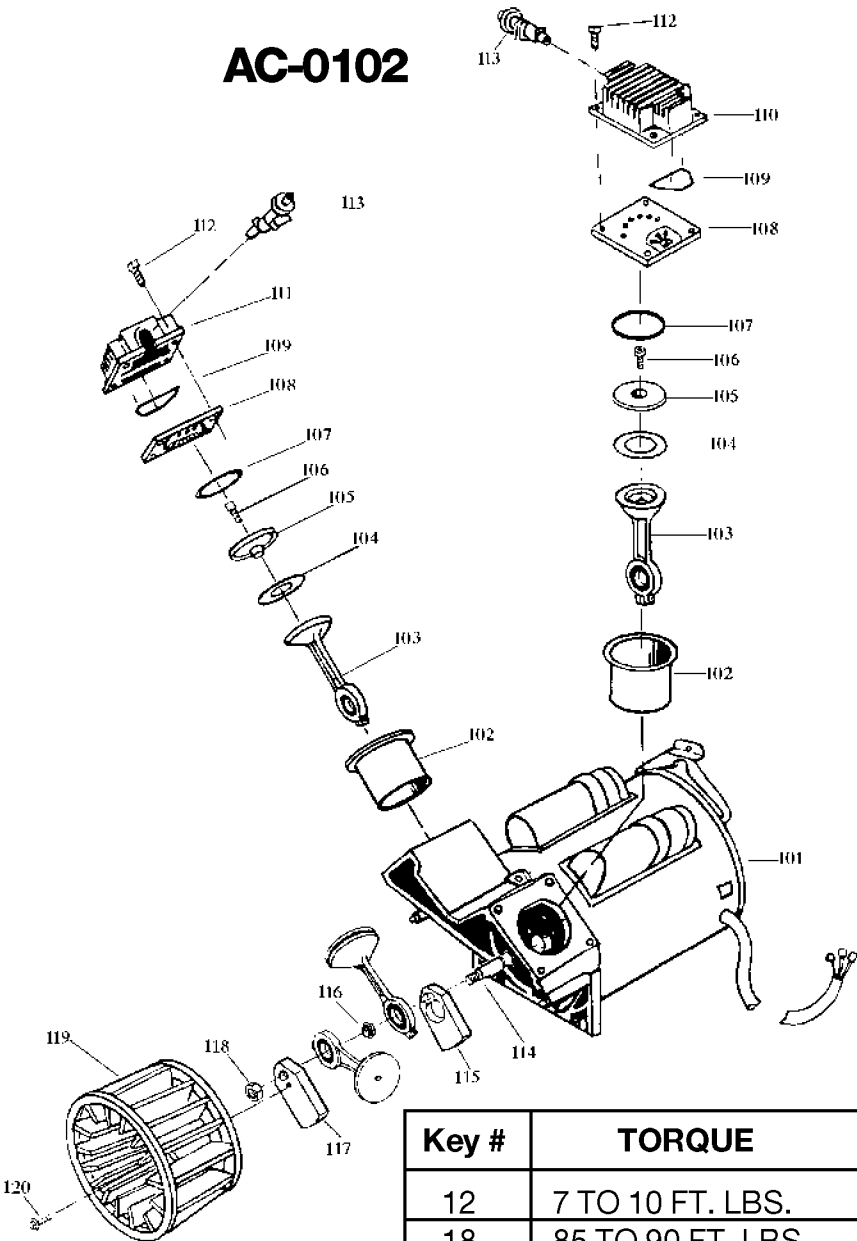


AC-0102



Key #	TORQUE
12	7 TO 10 FT. LBS.
18	85 TO 90 FT. LBS.
20	75 TO 90 IN. LBS.
* TORQUE WRENCH MUST BE USED	

Parts List for PAFCTV660V Type 4

Item Number	Part Number	Description	Qty Required
1	DAC-243	SHROUD REAR TWIN CYL	1
2	DAC-244	SHROUD FRONT TWIN CY	1
3	SSF-553-1	SCREW #10-24X.563 TH	3
4	SSG-3102	ORING .176 X .070 IS	3
5	ACG-13	COVER INTAKE MUFFLER	1
6	ACG-12	ELEMENT FILTER INTAK	1
7	SSF-554	SCREW #10-14X2.50 PA	2
8	D21798	TUBE	1
9	AC-0099	TUBE OUTLET .375OD A	1
10	SSP-7813	ASSY NUT SLEEVE 3/8	1
12	SSP-7821-1	NUT .563-18 UNF HEX	3
13	SSG-3105	ORING 306/296ID 073/	3
14	A19711	VALVE CHECK 1/2NPT X	1
15	SS-8553	CONNECTOR BODY	1
16	SSP-7811	ASSY NUT SLEEVE 1/4	2
17	000000-00	No Longer Available	1
19	000000-00	No Longer Available	1
20	33821-00	BUSHING	1
20	438010040063	HEYCO BUSHINGS	1
21	GA-360-B	GAUGE 300 PSI BACK M	1
22	97503734	VALVE SAFETY 150 .12	1
23	SS-2072-1	NIPPLE .375 NPT X 1.	1
24	SSV-812	VALVE GLOBE 200 PSI	1
25	AC-0217	MANIFOLD	1
26	ACG-18	CUP SADDLE MOUNT	2
27	SSF-990	SCREW .250-20X1.25 U	2
28	ACG-19	ISOLATOR 3 POINT MOU	3

Parts List for PAFCTV660V Type 4

Item Number	Part Number	Description	Qty Required
30	N286039	DRAIN VALVE	1
101	000000-00	No Longer Available	1
102	K-0650	KIT COMP RING REPLAC	1
103	A02743	KIT CONNECTING ROD	1
104	K-0650	KIT COMP RING REPLAC	1
105	ACG-29	CAP CONNECTING ROD C	2
106	SSF-3158-1	SCREW #10-24X.750 TH	1
107	SSG-8156	ORING 2.759/2.719ID	2
108	Z-AC-0032	ASSY VALVE PLATE	2
109	ACG-45	ORING P/L HEAD	2
110	AC-0037	HEAD 3/8 OUTLET FRON	1
111	AC-0038	HEAD 3/8 OUTLET FRON	1
112	SSF-927	SCREW .250-20X1.125	8
113	ACG-11	MUFFLER INTAKE 2 CYL	2
114	ACG-8	PIN ECCENTRIC	1
115	000000-00	No Longer Available	1
116	ACG-9	WASHER ALIGN	1
117	000000-00	No Longer Available	1
118	ACG-23	NUT .500-20 UNF-2A H	1
119	ACG-22	FAN RADIAL 6.0 OD	1
120	39124607	SCREW .250-20X.625 H	1
856	A02743	KIT CONNECTING ROD	1
856	KK-4315	KIT VALVE REPLACEMEN	1
856	K-0650	KIT COMP RING REPLAC	1