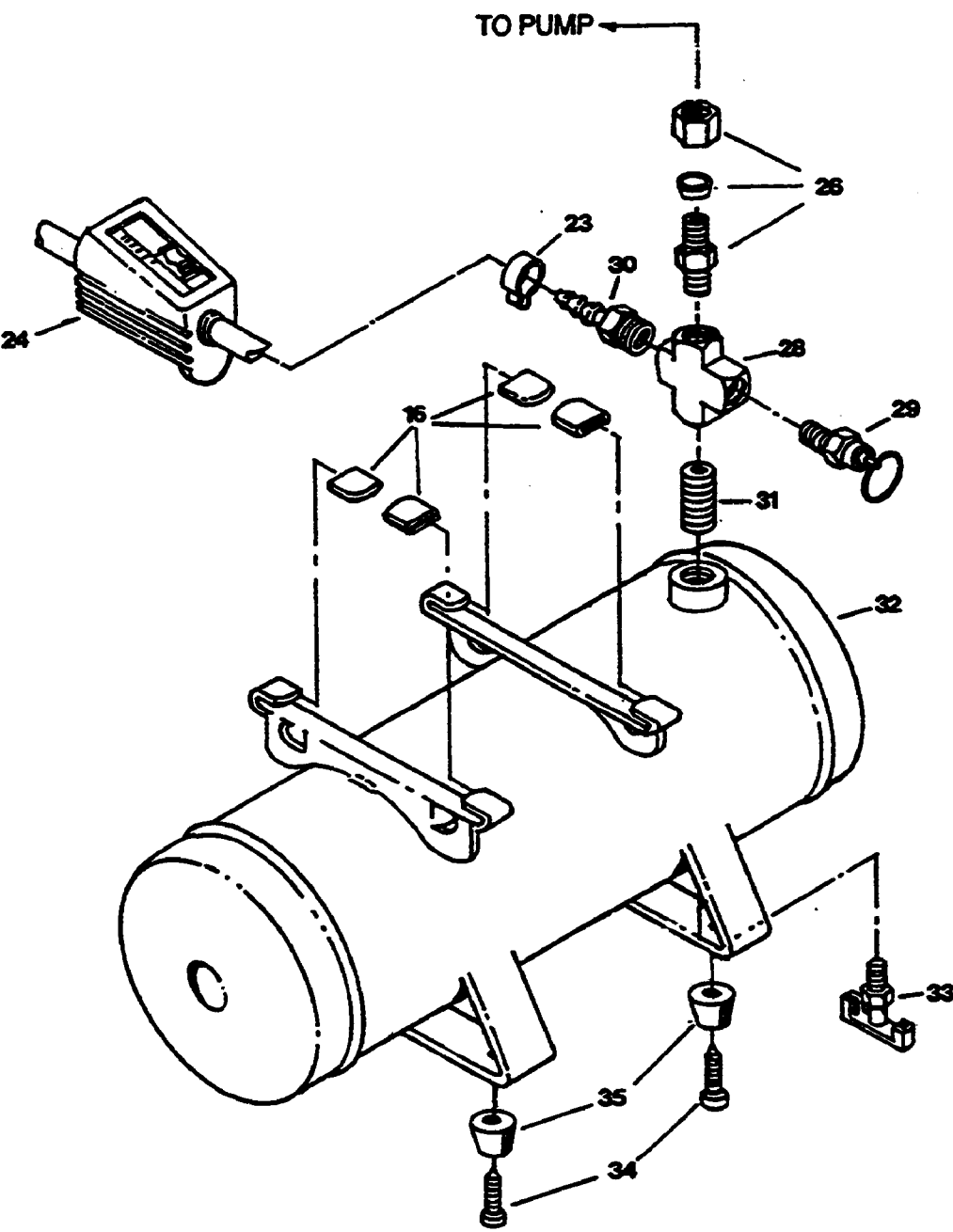


\*POWER CORD (GREEN)  
 ○GROUND WIRE



## Parts List for PAFAC752 Type 2

Item Number	Part Number	Description	Qty Required
1	SSF-995	SCREW #10-24X.875 HH	4
2	CAC-1196	HEAD UMC	1
3	N044359	TUBE SEAL	1
4	Z-D24819	GASKET HEAD UMC GRAP	1
5	N017592SV	VALVE PLATE ASSY	1
6	SSG-8169	ORING 2.132/2.096ID	1
7	000000-00	No Longer Available	1
8	N036518	CON ROD ASSY	1
9	A19123	SCREW	1
10	N036518	CON ROD ASSY	1
11	000000-00	No Longer Available	1
12	CAC-1342	BELT TIMING GOODYEAR	1
13	D25731	ISOLATOR PUMP	1
14	A06438	SHROUD	1
15	SSS-16	SWITCH SINGLE POLE 1	1
16	CAC-1254	ISOLATOR PUMP	1
17	000000-00	No Longer Available	1
18	000000-00	No Longer Available	1
19	AC-0206	TUBE ISOLATOR	1
20	000000-00	No Longer Available	1
21	A06436	SHROUD KIT	1
22	SSF-3156	SCREW #10-9X.500 THD	4
23	CAC-1206-1	CLAMP HOSE .250 ID H	1
24	CAC-4324	ASSY PRESS ADJ VALVE	1
25	SUDL-9-1	SCREW #8-32X.375/.34	1
26	000000-00	No Longer Available	1
27	SSF-621	SCREW .250-14X.625 F	1

## Parts List for PAFAC752 Type 2

Item Number	Part Number	Description	Qty Required
28	000000-00	No Longer Available	1
29	TIA-4150	VALVE SAFETY 150 .25	1
30	000000-00	No Longer Available	1
31	N044990	NIPPLE CLOSE 1/4-18	1
33	N286039	DRAIN VALVE	1
34	91895680	SCREW .250-20X.750 H	4
35	SST-5314-1	BUMPER RECESS RUBBER	4
856	N036518	CON ROD ASSY	1
856	000000-00	No Longer Available	1
856	KK-4929	KIT FASTENER	1