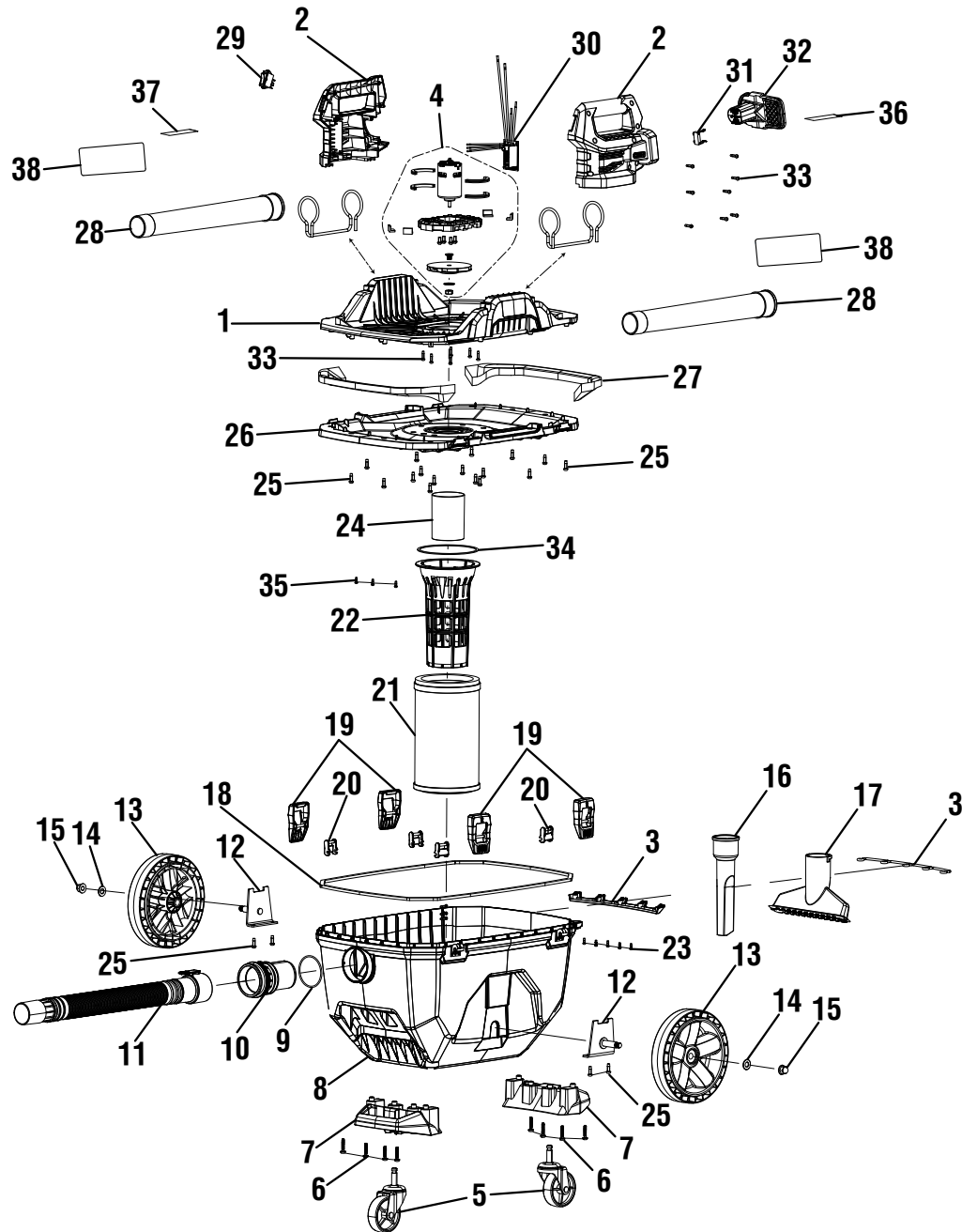


RYOBI
18 Volt Wet/Dry Vac
Model Number P770
Repair Sheet

ONE WORLD TECHNOLOGIES, INC.
P.O. Box 1288, Anderson, SC 29622 • Phone 1-800-525-2579
www.ryobitools.com

RYOBI WET/DRY VAC - MODEL NUMBER P770

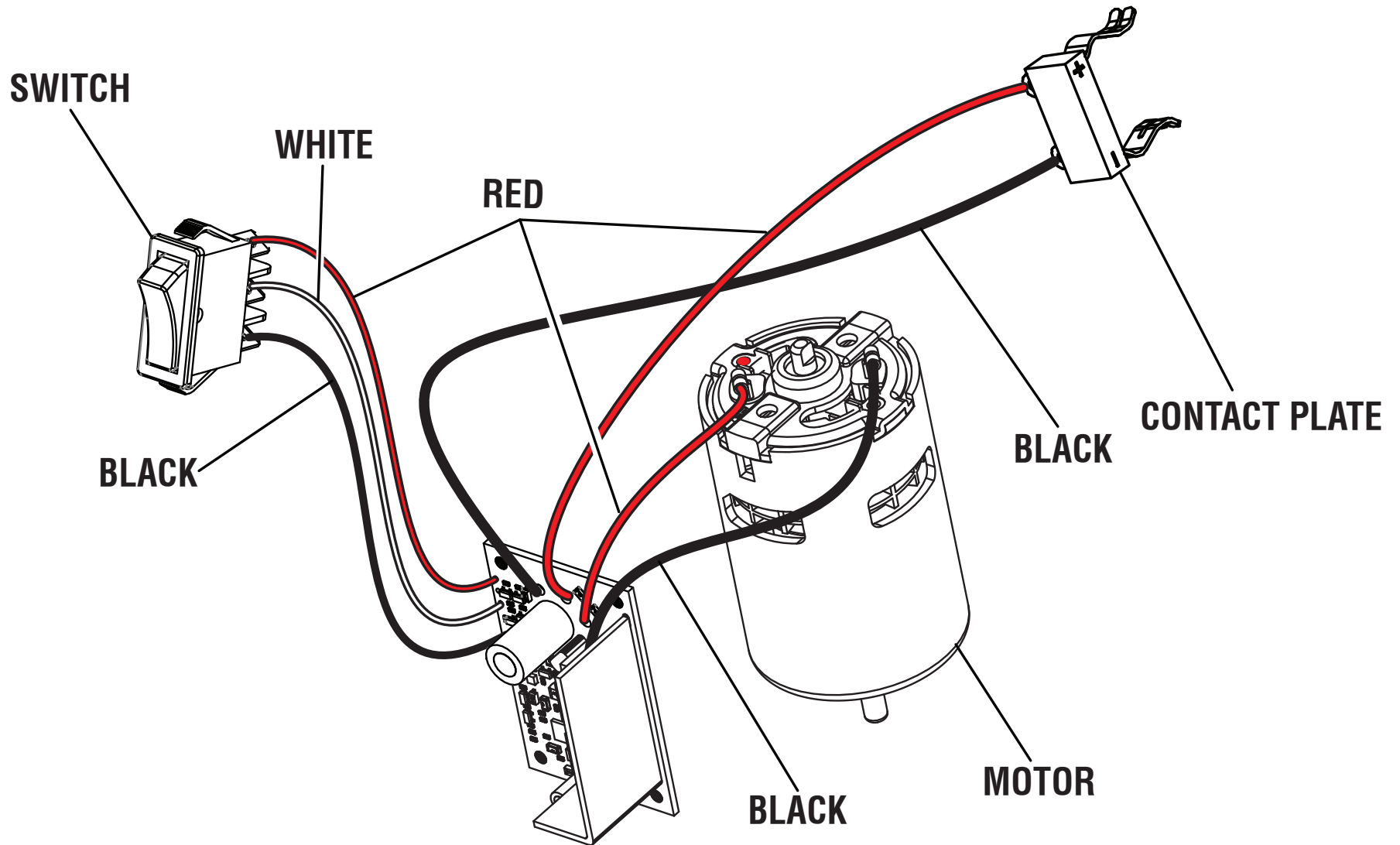


RYOBI WET/DRY VAC – MODEL NUMBER P770

The model number will be found on a label attached to the motor housing. Always mention the model number in all correspondence regarding your **WET/DRY VAC** or when ordering repair parts.

PARTS LIST

KEY NO.	PART NUMBER	DESCRIPTION	QTY	KEY NO.	PART NUMBER	DESCRIPTION	QTY
1	204867001	Upper Cap Assembly	1	22	591732001	Filter Support.....	1
2	204868001	Motor Housing Assembly	1	23	660031020	Screw (M3.5 x 10 mm).....	5
3	204869001	Accessory Holder Assembly.....	1	24	591740001	Floater.....	1
4	206715001	Motor and Fan Assembly	1	25	661075002	Screw (M5 x 16 mm, T10 Torx Pan Hd.).....	22
5	312912001	Wheel Assembly	1	26	591719001	Lower Cap	1
6	661164001	Screw (M5 x 25mm, T25 Torx Pan Hd.).....	8	27	903421001	Foam Filter.....	2
7	591725001	Vacuum Handle	2	28	532746001	Extension Wand.....	2
8	340715001	Tank	1	29	760271024	Switch.....	1
9	564485001	O-Ring	1	30	280616001	Circuit Board Assembly	1
10	591743001	Inlet Water Fender	1	31	300001079	Contact Holder	1
11	313051001	Hose	1	32	532050001	Universal Battery Foot.....	1
12	312648001	Wheel Support Plate.....	2	33	660024044	Screw (M4 x 16 mm, T20 Torx Pan Hd.).....	14
13	308451062	Wheel.....	2	34	903491001	Floater Support Gasket	1
14	680335030	Washer (ID10 x OD20.5 x 1.2t)	2	35	660031029	Screw (M3.5 x 16 mm, T10 Torx Pan Hd.).....	3
15	662224001	Cap Nut (M10)	2	36	941121898	Data Label	1
16	532747001	Crevice Tool	1	37	941120331	Warning Label.....	1
17	532750001	Wide Nozzle.....	1	38	941655024	Logo Label.....	2
18	564345001	Gasket	1	NOT SHOWN:			
19	591727001	Latch.....	4	995000304	Operator's Manual		
20	591728001	Latch Pivot.....	4	10-4-18			
21	313052002	Filter Assembly	1	(Rev:02)			



WIRING DIAGRAM