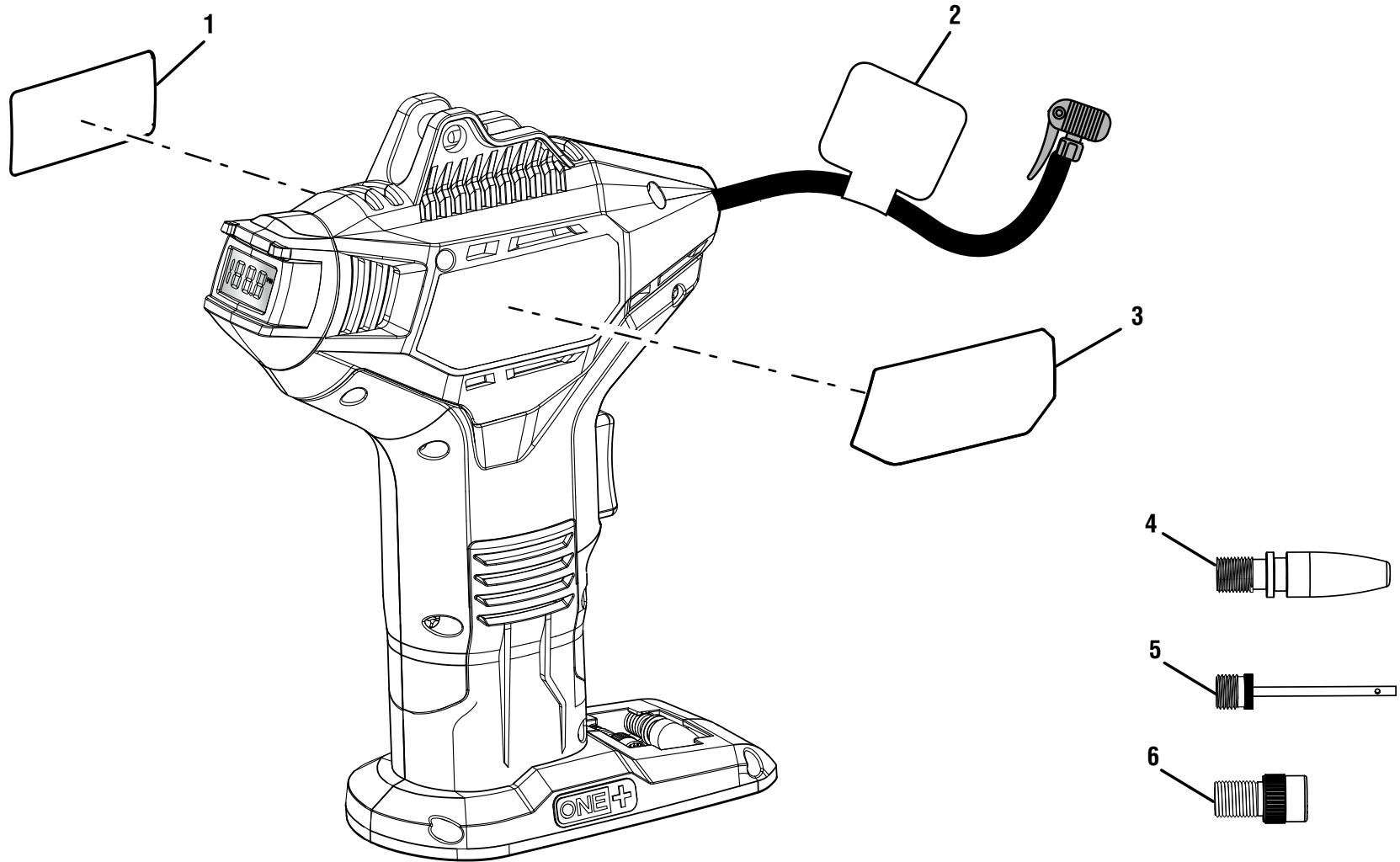


**RYOBI**  
**18 VOLT PISTOL GRIP INFLATOR**  
**MODEL NUMBER P737D**  
**REPAIR SHEET**

**ONE WORLD TECHNOLOGIES, INC.**  
P.O. Box 1288, Anderson, SC 29625 • Phone 1-800-525-2579  
[www.ryobitools.com](http://www.ryobitools.com)

RYOBI 18 VOLT PISTOL GRIP INFLATOR - MODEL NUMBER P737D



## RYOBI 18 VOLT PISTOL GRIP INFLATOR – MODEL NUMBER P737D

The model number will be found on a label attached to the motor housing. Always mention the model number in all correspondence regarding your **18 VOLT PISTON GRIP INFLATOR** or when ordering parts.

### PARTS LIST

KEY NO.	PART NUMBER	DESCRIPTION	QTY
1	079077053901	Logo Label.....	1
2	079077053906	Hose Wrap Label .....	1
3	079077077901	Data Label.....	1
4	079042004035	Tapered Adapter .....	1
5	079042001044	Ball Needle.....	1
6	079042004036	Presta Valve Adapter .....	1

**Not Shown:**

995000679 Operator's Manual (079077053909)

1-2-19

(Rev:02)