

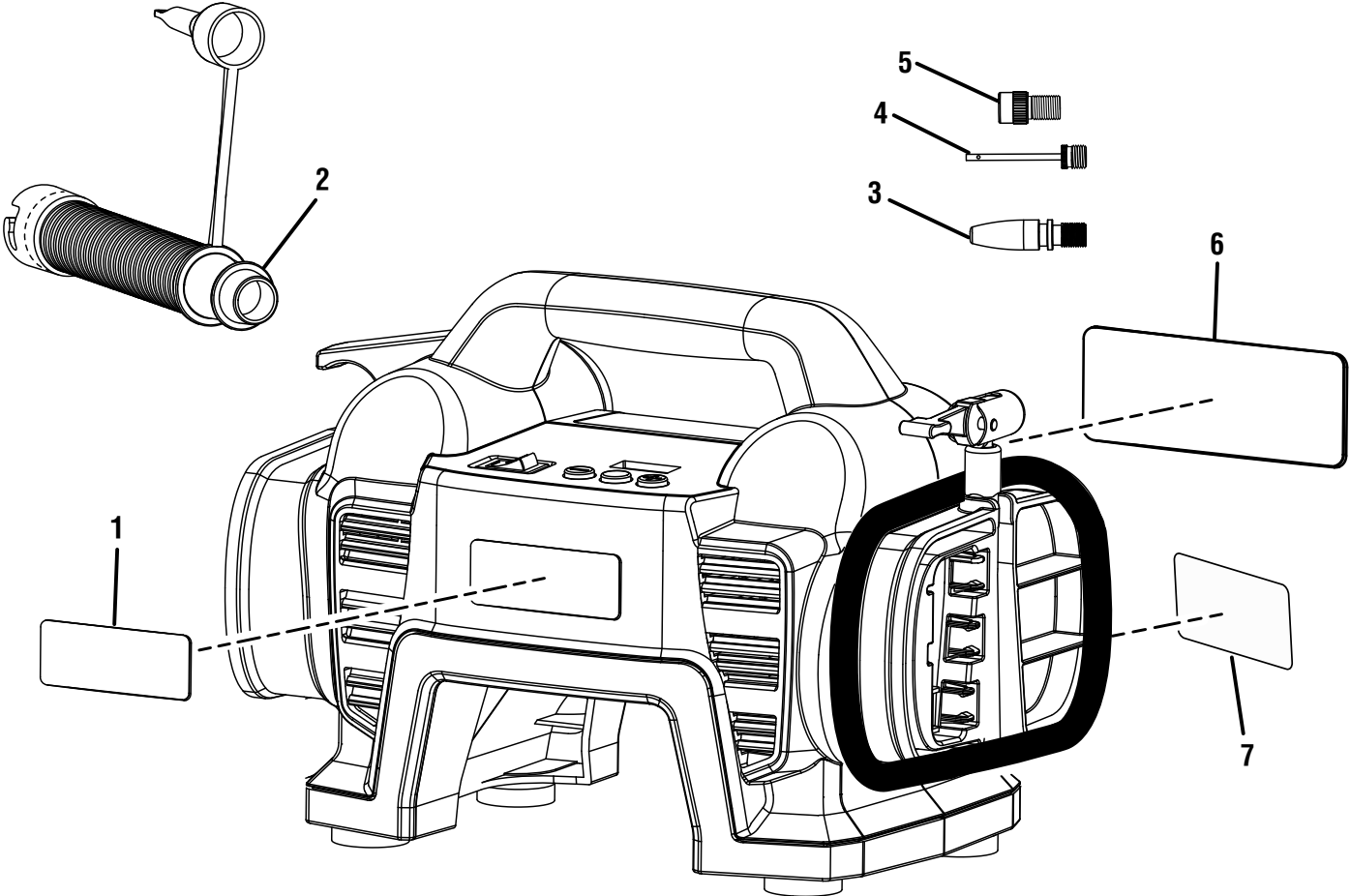
**RYOBI
18 VOLT INFLATOR
MODEL NUMBER P731
REPAIR SHEET**

ONE WORLD TECHNOLOGIES, INC.

P.O. Box 1288, Anderson, SC 29622 • Phone 1-800-525-2579

www.ryobitools.com

RYOBI 18 VOLT INFLATOR – MODEL NUMBER P731



RYOBI 18 VOLT INFLATOR – MODEL NUMBER P731

The model number will be found on a label attached to the motor housing. Always mention the model number in all correspondence regarding your **18 VOLT PISTON GRIP INFLATOR** or when ordering parts.

PARTS LIST

KEY NO.	PART NUMBER	DESCRIPTION	QTY
1	079042004040	Logo Label	1
2	079042004059	Low Pressure Hose Assembly	1
3	079042004035	Tapered Adapter	1
4	079042001044	Ball Needle.....	1
5	079042004036	Presta Valve Adapter	1
6	079042004039	Warning/Data Label	1
7	079042004041	Hose Wrap Label	1

Not Shown:

987000432 18V Battery and Charger Correlation Sheet
988000677 Operator's Manual (079042004058)
2-15-19
(Rev:03)

