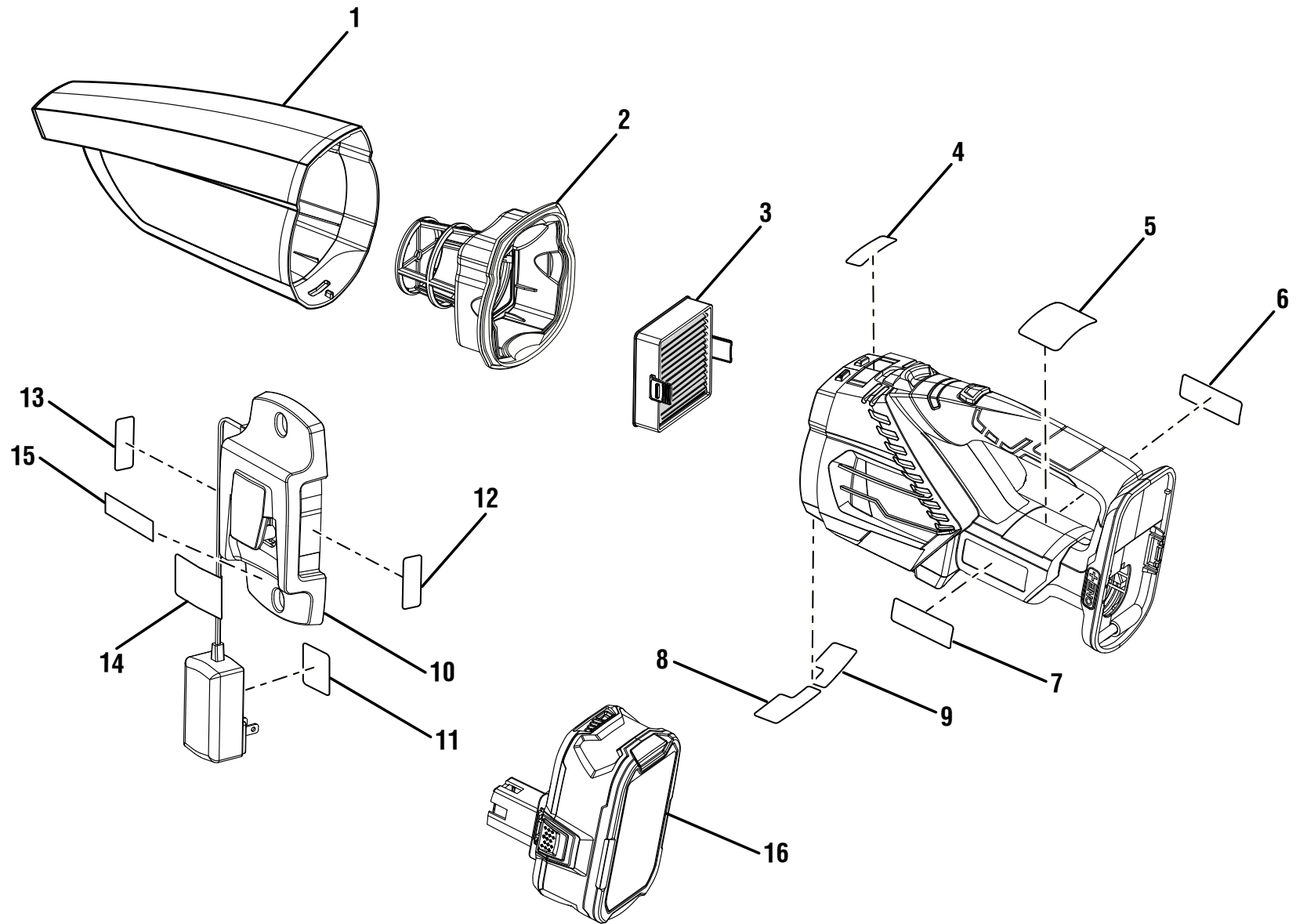


**RYOBI
18 VOLT DRY HAND VAC
MODEL NO. P714
REPAIR SHEET**

RYOBI 18 VOLT DRY HAND VAC – MODEL NUMBER P714



RYOBI 18 VOLT DRY HAND VAC – MODEL NUMBER P714

The model number will be found on a label attached to the motor housing. Always mention the model number in all correspondence regarding your **DRY HAND VAC** or when ordering parts.

PARTS LIST

KEY NO.	PART NUMBER	DESCRIPTION	QTY
1	019676001003	Cannister	1
2	019676001011	Filter Bracket	1
3	019484001007	Filter	1
4	941304130	LED Label	1
5	941011014	Warning Label	1
6	941011015	Data/Warning Label (P714)	1
7	940114178	Logo Label (P714)	1
8	941011026	Caution Label (Right).....	1
9	941011025	Caution Label (Left).....	1
10	039140324001	Charger (P180, Wall Adapter).....	1
11	941011017	Wall Adapter Label (P180).....	1
12	940114179	Logo Label (P180)	1
13	941011016	Data/Warning Label (P180)	1
14	940221156	Power Cord Label (P180)	1
15	941011020	Logo Label (Evercharge, P180)	1
16	130429102	Battery Pack (P102, 18 Volt).....	1

Not Shown:

991000642	Operator's Manual (P714, 961075382)
991000649	Operator's Manual (P180, 961075383)
990000184	Operator's Manual (P102, 961152012)

1-13-16
(Rev:02)